

DIGITAL GAS LOW NO_x

POOL AND SPA HEATER

MODERN
DESIGN AND
CONSTRUCTION

DYNAMIC
SELF-DIAGNOSTIC
CONTROLS

FEATURING
PROTEK SHIELD™

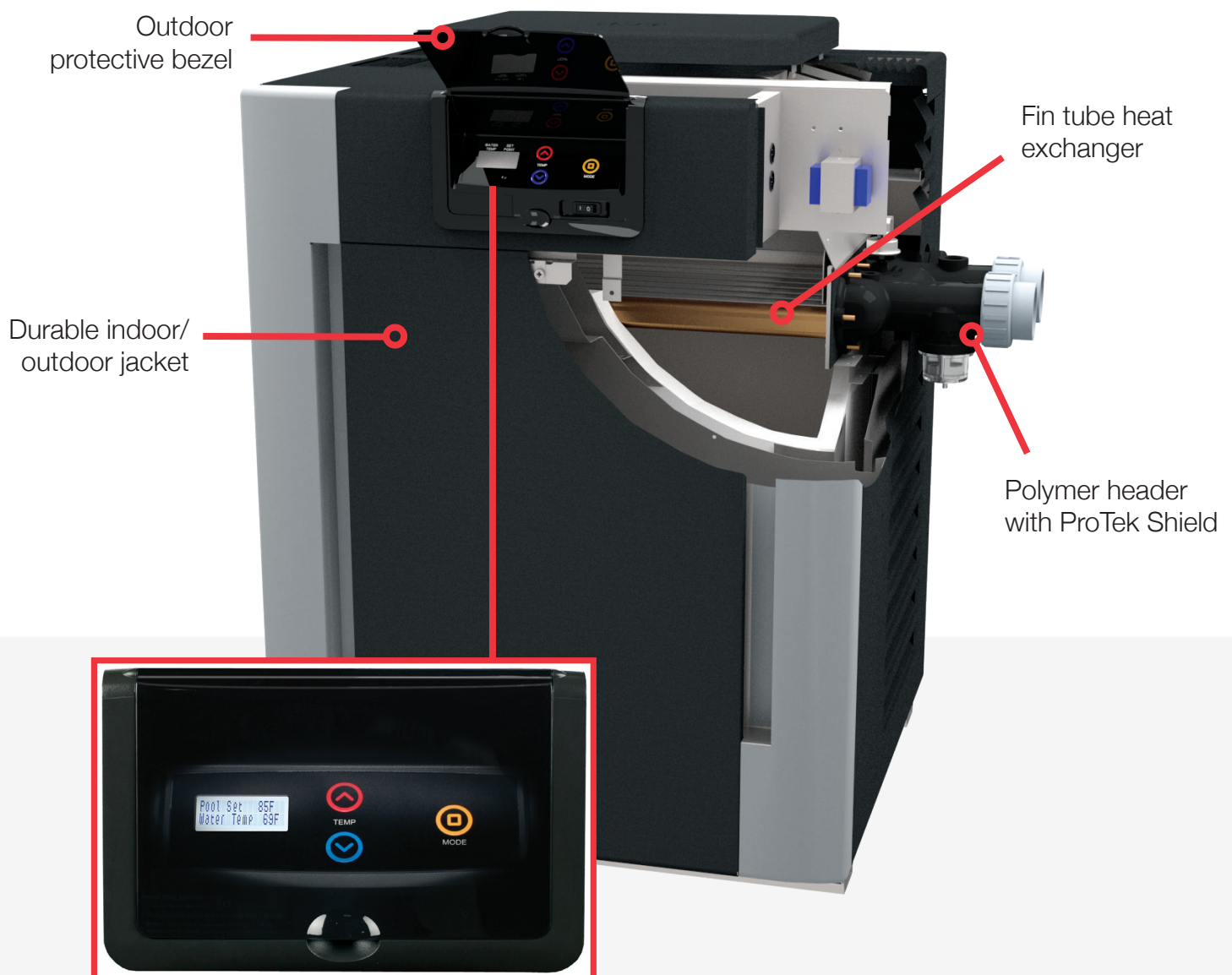


Raypak®
A Rheem® Company

RELAXATION

Soak it all in, you deserve this.

The sleek and stylish Raypak Digital Gas Low NO_x Pool and Spa Heater features innovative technology designed to keep your pool or spa at the perfect temperature for your enjoyment. Built to withstand various weather conditions, this modern pool and spa heater is the perfect solution for environments requiring efficiency, convenience and versatility. Whether upgrading your existing system or adding a new pool or spa to your home, our heater offers you flexible installation solutions. Thanks to a brilliant low-profile design, corrosion resistant cabinet made of galvanized metal, copper fin tube heat exchanger, and a bevy of advanced-engineered materials, enjoying your heater year round is a breeze.



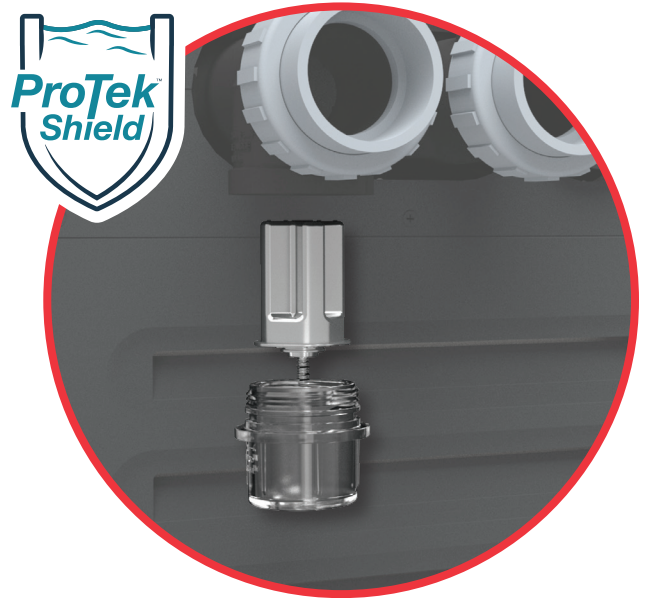
Digital control

STARTS HERE.

ProTek Shield

ProTek Shield is a cutting-edge module that protects the heat exchanger and extends the life of your Raypak Digital Gas Low NO_x Pool and Spa Heater. Rest, soak or swim knowing that your pool heater investment can be enjoyed even longer thanks to this innovative, patent-pending technology.

- Excellent for use in chlorinated and salt water pools
- Engineered to take the brunt of the corrosion that naturally occurs over time (erosion of the ProTek Shield means it's working!)
- Utilizes breakthrough patent pending technology
- Compact design
- Easy to replace, saving you time and money



More Amazing Features



Low NO_x Certified

With our Digital Gas Low NO_x Pool and Spa Heater, the air fuel mixture is maintained by a gas valve/blower system that allows the heater to always burn clean and safe.

Note: Meets additional safety standards and regulations required for Texas, California and Utah.

Heat Exchanger

Our Digital Gas Low NO_x Pool and Spa Heater includes various application options based on fin tube materials including: copper and cupronickel, both available as ASME¹.

Bronze ASME headers provide the strength needed to meet commercial code requirements.



Flexible Installation

Whether upgrading your existing system or adding a new pool or spa to your home, the Raypak Digital Gas Low NO_x Pool and Spa Heater offers you flexible installation solutions.

Bonus: The self-adjusting burner compensates for gas pressure fluctuations, ensuring that the heater will always burn clean and safe.

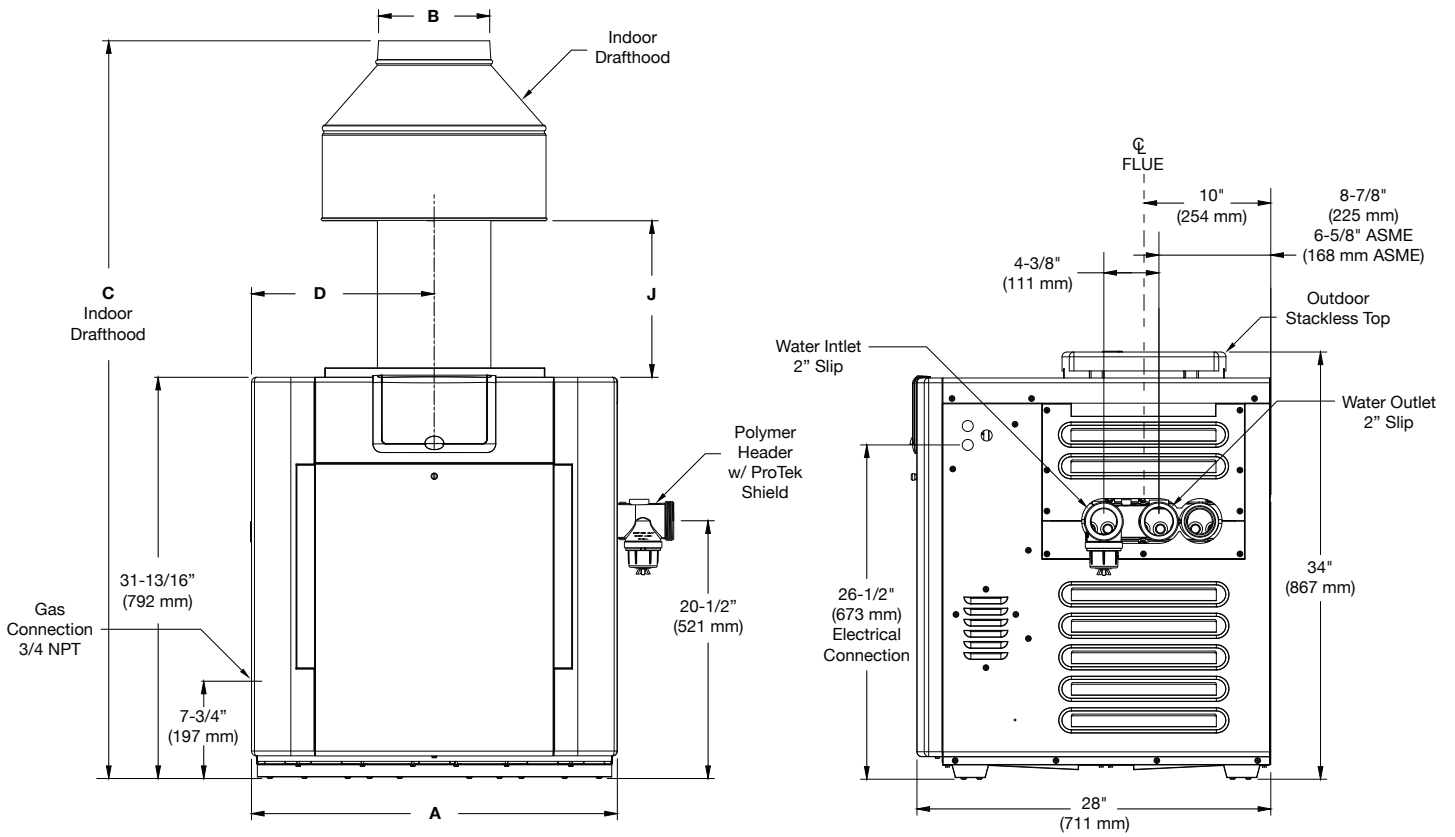


Digital Controls

Equipped with an intelligent control system that can easily be tied into an existing remote system, our heater also features a microprocessor-controlled thermostat for setting the perfect temperature for your pool or spa.

¹ ASME heaters will include ProTek Shield by Spring 2020.

Digital Gas Low NO_x Pool and Spa Heater Models 207A - 407A



Model	MBTUH		Dimensions in. (mm)					Est. Ship Weight lbs. (kg)		
	Copper Input	Cupronickel Input	A Width	B Flue \varnothing	C Indoor Draft-hood	D	J	w/ Polymer Headers and Stackless Top	w/ Bronze Headers and Stackless Top	Indoor Draft-hood
207A	199,500	N/A	20 (508)	6 (152)	55-5/8 (1413)	10 (254)	11-3/4 (298)	190 (86)	200 (91)	12 (5)
267A	266,000	N/A	23 (584)	7 (178)	56 (1422)	11-1/2 (292)	11 (279)	210 (95)	220 (98)	15 (7)
337A	332,500	N/A	26 (660)	8 (203)	57 (1448)	13 (330)	10-5/8 (270)	230 (104)	240 (109)	17 (8)
407A	399,000	N/A	29 (737)	9 (229)	58-1/2 (1486)	14-1/2 (368)	12-1/8 (308)	250 (113)	260 (118)	20 (9)

Amp Draw	
120 volt*	240 volt*
6	3

* Single phase, 60 Hz.



www.raypak.com

2151 Eastman Avenue | Oxnard, CA 93030 | 805-278-5300

Litho in U.S.A. ©2020 Raypak, Inc. 6000.23-K Effective 02-01-20 Replaces 10-15-19