

MINIMUM PIPE SIZES

	BRANCH	INTERM.	MAIN
300	1-1/2"	2"	2-1/2"
400	2"	2-1/2"	3"
500	2"	2-1/2"	3"
700	2"	2-1/2"	3"
850	2"	2-1/2"	4"

THIS PIPING DIAGRAM IS RAYPAK'S RECOMMENDATION AND IS NOT INTENDED TO REPLACE AN ENGINEERED PIPING SYSTEM DESIGNED BY A PROFESSIONAL ENGINEER.

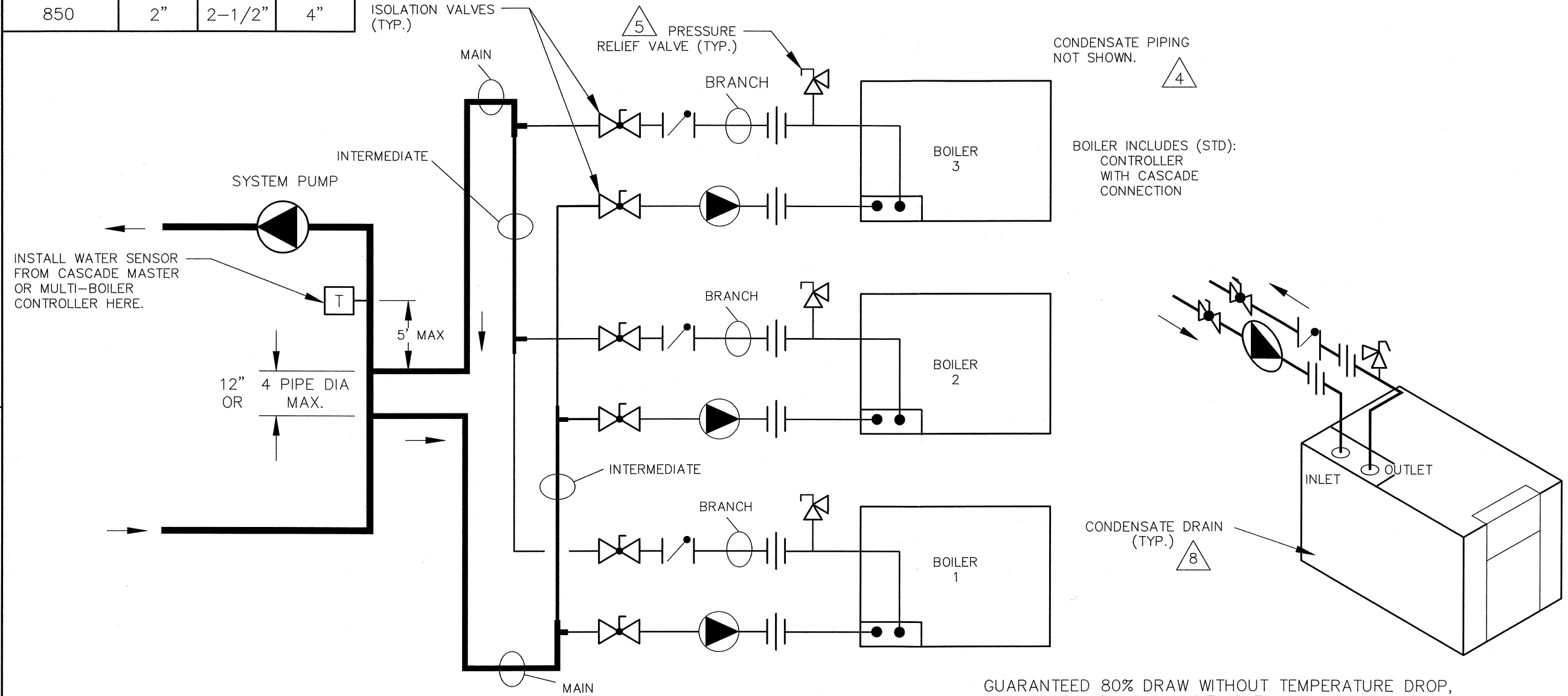
REVISIONS					
REV	DESCRIPTION	E.O.	BY	DATE	CHECK
1	500 BRANCH SIZE FROM 1-1/2" TO 2"		RAN	2-3-10	
2	ADDED CONNECTION DETAIL, 400 & 700 SIZES.		KA	1-24-11	<i>[Signature]</i>

B

B

A

A



INSTALL WATER SENSOR FROM CASCADE MASTER OR MULTI-BOILER CONTROLLER HERE.

12" OR 4" PIPE DIA MAX.

5' MAX

CONDENSATE PIPING NOT SHOWN.

BOILER INCLUDES (STD): CONTROLLER WITH CASCADE CONNECTION

CONDENSATE DRAIN (TYP.)

KEY	
	PRESSURE RELIEF VALVE
	PUMP
	UNION
	CHECK VALVE
	BALL VALVE
	THERMOMETER

GUARANTEED 80% DRAW WITHOUT TEMPERATURE DROP, USE RAYPAK BOILER, TANK, SIZING TABLE AND HOOK-UP DATA

NOTES:

1. PLUMB SWING CHECK VALVE IN GRAVITY-CLOSED POSITION.
2. PIPE ALL RELIEF VALVES TO DRAIN, OR AS LOCAL CODES REQUIRE.
3. MINIMUM PIPE SIZE MUST BE EQUAL TO THE BOILER INLET / OUTLET SIZE. SEE "MINIMUM PIPE SIZES" CHART ABOVE; COMBINED PIPE SIZES CALCULATED AT MAX FLOW.

PIPE CONDENSATE DRAIN TO DISCHARGE PER LOCAL CODE, OR NEUTRALIZE AND DRAIN TO DISCHARGE PER LOCAL CODE.

ACAD: 8685.DWG
BOILERS SHOWN REPRESENT VARIOUS MODELS. BECAUSE INDIVIDUAL MODELS WILL VARY IN DESIGN AND SIZING, SEE EACH SPECIFIC BOILER TYPE FOR DETAILS.

8685	UNLESS OTHERWISE SPECIFIED: ALL UNITS ARE IN INCHES FRACTIONS ±1/32 ANGLES ±1° X. = ±.12 X.X = ±.06 X.XX = ±.03 X.XXX = ±.010 DRAFT___ WALL___ RADII___ CONCENTRICITIES .020 DIA. SQUARENESS .015 IN./IN. BREAK EDGES .015 MAX. SURFACE FINISH PER ASME Y14.36M-1996	APPROVED <i>[Signature]</i>	DATE 1-24-11		OXNARD, CALIFORNIA	
	CHECKED D BALDWIN	DATE 1-7-10	E.O. SPR			SCALE NONE
		DRAWN R NASH	DATE 12-28-09	SIZE B	THIS DRAWING SUBMITTED UNDER CONFIDENTIAL RELATIONSHIP, AS IT EMBODIES PROPRIETARY INFORMATION, WITH ALL RIGHTS RESERVED BY RAYPAK, INC.	
	TITLE PIPING, HYDRONIC: 3 XFYRE					
2	MAT'L.	SERIES/MODEL H7 300-850	DWG. NO. 8685	REV 2		