

# XVers™ - Type H

Heating Boiler  
Models 0856 - 3006

Job: \_\_\_\_\_

Engineer: \_\_\_\_\_

Contractor: \_\_\_\_\_

Prepared By: \_\_\_\_\_ Date: \_\_\_\_\_

Model: \_\_\_\_\_ Indoor/Outdoor: \_\_\_\_\_

- Stainless Steel Vertical Fire-tube Construction
- Up to 96.2% Thermal Efficiency at Full Rate
- VERSA IC® Modulating Controller
- 7 Inch HD Capacitive Color Touch Screen Display
- Rich-Start Ignition System (Patent Pending)
- Cascade up to 4 Heaters – No External Sequencer Required
- Modbus RTU BMS Port
- Full Safety Diagnostics with History
- Status Display Lights
- Maximum Outlet Water Temperature: 200°F
- Minimum Continuous Inlet Water Temperature: 40°F
- 100% Factory Fire Tested
- SCAQMD 1146.2 Models 0856-2006
- Limited Twenty-Five-Year Thermal Shock Warranty
- Limited Ten-Year Heat Exchanger Warranty



Proudly Assembled in the USA

## Heat Exchanger

- 316L Stainless Steel
- ASME H Stamped; 160 PSIG MAWP
- National Board Listed
- ASME Pressure Relief Valve
  - 60 PSIG – Standard
  - \_\_\_\_\_ PSIG – Optional
- T&P Gauge

## Control

- 120V, 60Hz, 1Ø, Power Supply 0856-1506
- 208V, 60Hz, 1Ø, Power Supply 1756-3006
- 208/230/277 3Ø
- 480/600V, 3Ø
- available on all models
- 24VAC 60Hz Transformer
- 15VDC Transformer
- Ignition Module
  - 3-Try (Standard)
  - C-6 Single-Try
- Hot Surface Ignition (HSI)
- Remote Flame Sensor
- Fixed High Limit, Manual Reset, 200°F
- Vent Temperature Sensor
- Off-Idle-Run Power Switch
- Low Water Cut Off
- Flow Switch
- Water Flow Sensor
- Blocked Vent Pressure Switch
- Freeze Protection
- Alarm Dry Contact
- Programmable Pump Time Delay Outputs – (Pilot Duty)
- DHW Indirect-System-Boiler (Pump/Valve)
- 7 Inch Color Touch Screen Display

- Modulating Temperature Control
- Outdoor Air Sensor
- Water Temperature Sensors (5)
- Blocked Condensate Switch
- Modbus RTU BMS Port
- B-85 BMS Gateway, Modbus RTU to Modbus TCP, N2 Metasys, BACnet IP, or BACnet MS/TP
  - Loose
  - Factory Mounted
- B-86 BMS Gateway, Modbus RTU to LONWorks
  - Loose
  - Factory Mounted

## Burner

- Easily accessible Radially-Fired Knitted Burner

## Gas Train

- Fuel
  - Natural Gas
  - Propane (Minimum Grade HD5)
- Rich-Start Ignition System (Patent Pending)
- Dual-Seat Combination Valve
- Manual Shut-Off Firing Valve
- Sediment Trap Connection Standard

## Construction

- Indoor/Outdoor Construction
- Enclosed Front Controls
- PolyTuf Powder Coat Finish
- Rear Connections (Water, Gas, Vent, Electrical, Cond. Drain)
- Combustion Air Filter
- Design Certified ANSI Z21.13/CSA 4.9
- Front Connection Low Voltage Wiring

- Built-In Lifting Lugs for Rigging
- Built-In Flue Gas Analysis Port
- Forklift or Pallet Jack Accessible

## Venting

- Vent Termination, Cat IV
  - D-11 Outdoor Vent Kit, Centrotherm
  - D-15 Indoor, Horizontal Termination
  - D-33 Centrotherm® Polypro adapter
  - D-108 PVC Adapter Kit

## Options

- Variable Speed CI Boiler Pump
- P-170 Motorized Isolation Valve
- P-171 Suction diffuser (3x3)
- I-13 High Limit, Auto Reset, Adj., 100-200°F
- I-5 High Limit, Manual Reset, Adj., 100-200°F
- S-1 Low Gas Pressure Switch, Manual Reset
- S-2 High Gas Pressure Switch, Manual Reset (STD 2506-3006)
- Z-12 Condensate Treatment Kit

## Additional Options or Accessories

\_\_\_\_\_

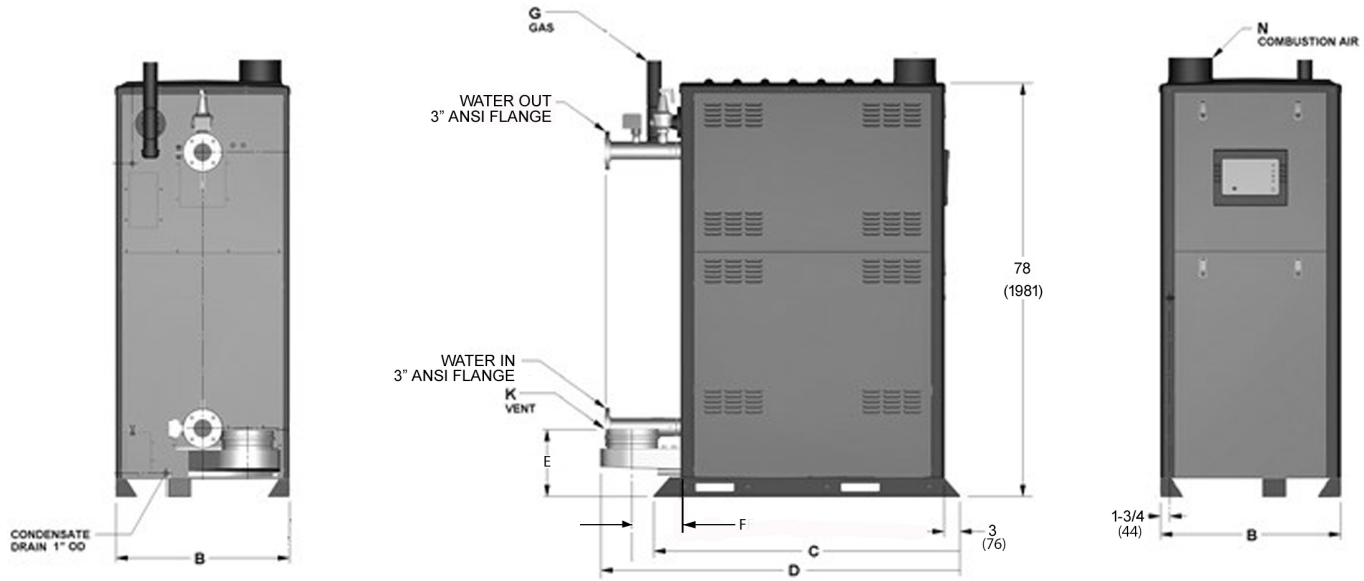
## Hybrid Multi-Boiler Temp Controllers

- B-36 TempTracker Mod+ Hybrid, 2-4 Boilers, OA Reset
- B-37 TempTracker Mod+ Hybrid, 5-10 Boilers, OA Reset
- B-38 TempTracker Mod+ Hybrid, 11-16 Boilers, OA Reset
- B-39\* EMS 4-20 mA Remote Setpoint Interface Module
- B-62\* BACnet MS/TP Interface Module (\*only used with B-36 to B-38)

**Raypak**  
A Rheem® Company

# XVers – Type H Models 0856 - 3006

Model \_\_\_\_\_



Model (H7-)	MBTUH (kw/h)		Turn Down	AHRI Thermal Efficiency	Dimensions in. (mm)								Shipping Weight Lbs.(kg)	Operating Weight Lbs.(kg)	Water Content (gal)
	Input	Output			B Width	C Base Depth	D Overall Depth	E	F	G NPT	K Flu e Ø	N C/A Ø			
<input type="checkbox"/> 0856	855 (250.6)	822.5 (241.1)	8 to 1	96.2	30 (762)	51.3 (1303)	60.2 (1529)	12-1/8 (308)	12-1/2 (318)	1-1/4	6	6	1596 (724)	2237 (1015)	77
<input type="checkbox"/> 1006	999 (292.8)	961 (281.6)	9 to 1	96.2	30 (762)	51.3 (1303)	60.2 (1529)			1-1/4	6	6	1596 (724)	2237 (1015)	77
<input type="checkbox"/> 1256	1250 (366.3)	1202.5 (352.4)	13 to 1	96.2	30 (762)	54.4 (1382)	63.4 (1610)			1-1/4	8	6	1960 (889)	2835 (1286)	105
<input type="checkbox"/> 1506	1500 (439.6)	1443 (422.9)	15 to 1	96.2	30 (762)	54.4 (1382)	63.4 (1610)			1-1/4	8	6	1960 (889)	2835 (1286)	105
<input type="checkbox"/> 1756	1750 (512.9)	1683.5 (493.4)	8 to 1	96.2	34 (864)	56.5 (1435)	65.7 (1669)			2	8	8	2080 (943)	3055 (1386)	117
<input type="checkbox"/> 2006	1999 (585.8)	1923 (563.6)	9 to 1	96.2	34 (864)	56.5 (1435)	65.7 (1669)			2	8	8	2080 (943)	3055 (1386)	117
<input type="checkbox"/> 2506	2499 (732.4)	2404 (704.5)	9 to 1	96.2	34 (864)	60 (1524)	70.4 (1788)			13-1/8 (333)	13-1/2 (343)	2-1/2	10	8	2900 (1315)
<input type="checkbox"/> 3006	3000 (879.2)	2864 (839.4)	10 to 1	95.5	34 (864)	60 (1524)	70.74 (1788)	13-1/8 (333)	13-1/2 (343)	2-1/2	10	8	2900 (1315)	4141 (1878)	149

Model H7-	<input type="checkbox"/> 0856		<input type="checkbox"/> 1006		<input type="checkbox"/> 1256		<input type="checkbox"/> 1506		<input type="checkbox"/> 1756		<input type="checkbox"/> 2006		<input type="checkbox"/> 2506		<input type="checkbox"/> 3006	
	GPM (L/min)	ΔP ft.hd. (kPa)	GPM (L/min)	ΔP ft.hd. (kPa)	GPM (L/min)	ΔP ft.hd. (kPa)	GPM (L/min)	ΔP ft.hd. (kPa)	GPM (L/min)	ΔP ft.hd. (kPa)	GPM (L/min)	ΔP ft.hd. (kPa)	GPM (L/min)	ΔP ft.hd. (kPa)	GPM (L/min)	ΔP ft.hd. (kPa)
20°FΔT	82 (310)	1.7 (5.1)	96 (363)	2.2 (6.6)	120 (454)	2.6 (7.8)	144 (545)	3.6 (10.8)	168 (636)	3.8 (11.4)	192 (727)	4.7 (14.0)	N/A	N/A	N/A	N/A
40°FΔT	41 (155)	0.5 (1.5)	48 (182)	.7 (2.1)	60 (227)	.8 (2.4)	72 (273)	.9 (2.7)	84 (318)	1.0 (3.0)	96 (363)	1.2 (3.6)	120 (454)	2.1 (6.3)	143 (541)	3.0 (8.9)
Water Volume Gal./(L)	77 (291.4)				105 (397.4)				117 (442.8)				149 (564.0)			
**Max Flow	165 (624)	6.4 (19.1)	192 (727)	7.8 (23.3)	231 (874)	8.0 (23.9)	231 (874)	8.0 (23.9)	231 (874)	6.7 (20.0)	231 (874)	6.7 (20.0)	231 (874)	7.1 (21.2)	231 (874)	7.1 (21.2)
Min Flow at 100%	22 (83)		24 (91)		30 (114)		36 (136)		42 (159)		48 (182)		60 (227)		72 (273)	
*Min Flow for Ignition	22 (83)		22 (83)		22 (83)		22 (83)		25 (95)		30 (114)		40 (151)		45 (170)	
*Min Flow	22 (83)		22 (83)		22 (83)		22 (83)		22 (83)		22 (83)		22 (83)		29 (110)	

\*Minimum flow based on water as heating medium. Mediums other than water may require higher minimum flow rates.

\*\*Maximum flow based on 10°FΔT or 10.5 feet per second velocity, whichever is less.

# XVers – Type H

## Models 0856 - 3006

Model \_\_\_\_\_

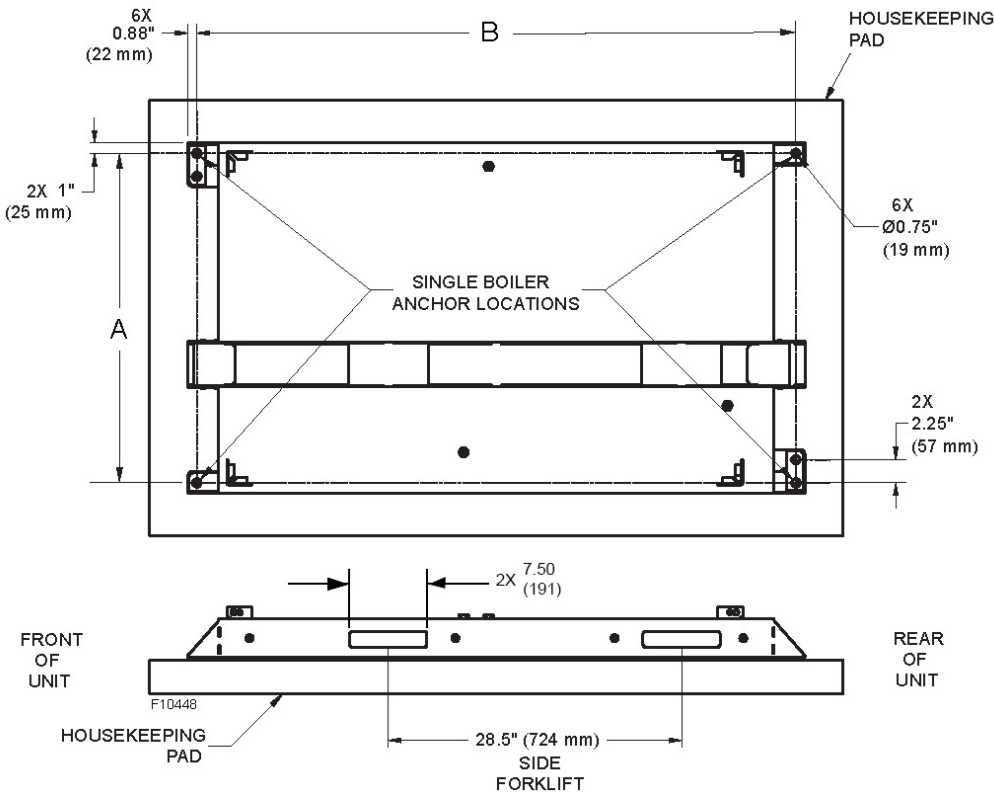
### CLEARANCES in. (mm)

	Front	Rear	Right	Left	Top	Floor*	Vent	
<b>Certified Minimum to Combustibles</b>	Open	24 (610)	1 (25)	1 (25)	0	0	1 (25)	
<b>Recommended Service</b>	30 (762)	24 (610)	1 (25)	1 (25)	24 (610)	N/A	N/A	

**\* WARNING: Do not install on carpeting**

Model (H7-)	Boiler Current Draw					
	<input type="checkbox"/> 120VAC	<input type="checkbox"/> 208VAC	<input type="checkbox"/> 240VAC	<input type="checkbox"/> 277VAC	<input type="checkbox"/> 480VAC	<input type="checkbox"/> 600VAC
<input type="checkbox"/> 0856	Less Than 12A					
<input type="checkbox"/> 1006						
<input type="checkbox"/> 1256						
<input type="checkbox"/> 1506						
<input type="checkbox"/> 1756	N/A	<17A	<15A	<13A		
<input type="checkbox"/> 2006						
<input type="checkbox"/> 2506						
<input type="checkbox"/> 3006						

Current draw is for boiler only  
(Supply breaker must have delayed trip).



Engineered Base Dimensions in.(mm)			
Model (H7-)	A	B	Operating Weight Lbs. (kg.)
<input type="checkbox"/> 0856-1006	28.0 (711)	49.5 (1257)	2237 (1015)
<input type="checkbox"/> 1256-1506		52.6 (1336)	2835 (1286)
<input type="checkbox"/> 1756-2006	32.0 (813)	54.7 (1390)	3055 (1386)
<input type="checkbox"/> 2506-3006		58.2 (1478)	4141 (1878)