

PUMP DATA	
FACTORY	FIELD
MODEL :	
H.P. :	
AMPS. :	

NOTES: * USE GROUND CONNECTION PROVIDED. FAILURE TO PROVIDE PROPER GROUND MAY RESULT IN LOCK-OUT ALL GROUND \perp TERMINATE AT SPG.

****** PUMP USED MUST BE RATED 10 AMPS MAX OR 3/4 HP MAX. PUMP DELAY ADJUSTIBLE BETWEEN 3 AND 10 MINUTES.

******* VENT TEMP SWITCH ONLY PROVIDED ON INDOOR BOILERS

A — **E** CONNECTIONS FOR OPTIONAL E-4 ALARM PANEL.

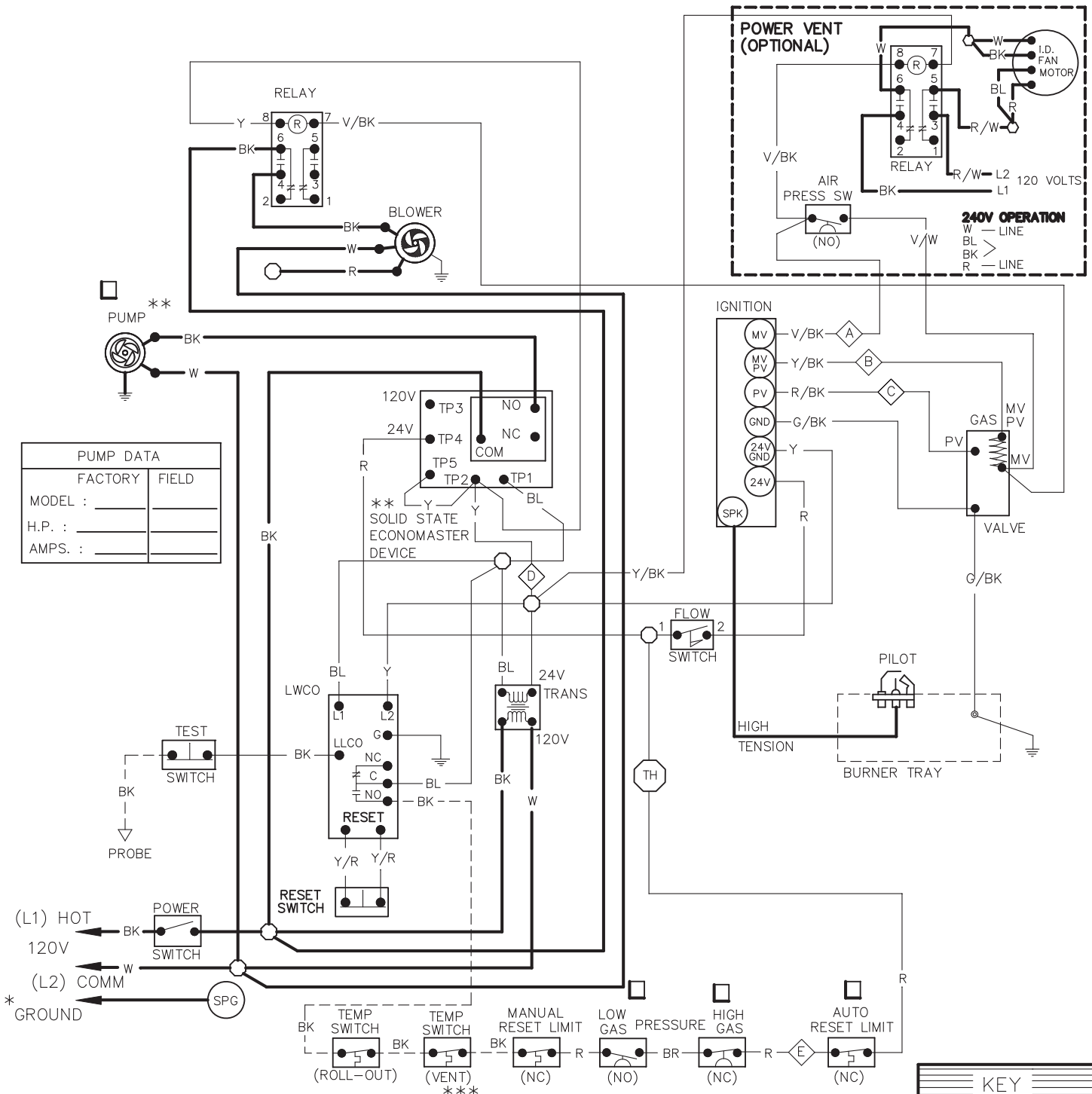
CHECK CONTROLS PROVIDED (WIRED AS SHOWN) REPLACE WIRING WITH 105°C WIRE OR ITS EQUIVALENT AND 150°C AS NOTED.

KEY	
—	24V 105°C
- - -	24V 150°C
—	120V 105°C
○	WIRE NUT
SPG	GROUND
BK	BLACK
BR	BROWN
R	RED
O	ORANGE
Y	YELLOW
G	GREEN
BL	BLUE
V	VIOLET
W	WHITE

CHECKED BY:
APPROVED BY:
ORIG E.O. 3311
8/17/00
CHG E.O. 5223
08/13/14
Raupak

WIRING DIAGRAM IID ECONOMASTER LOW NOX FIRING MODE — ON/OFF	
INPUTS:	181,000 THRU 264,000 BTUH
SIZE:	181A/261A
TYPE:	WH1

152522	6
---------------	----------



PUMP DATA	
FACTORY	FIELD
MODEL :	
H.P. :	
AMPS. :	

NOTES: * **USE GROUND CONNECTION PROVIDED. FAILURE TO PROVIDE PROPER GROUND MAY RESULT IN LOCK-OUT ALL GROUND \perp TERMINATE AT SPG .**

- ** PUMP USED MUST BE RATED 10 AMPS MAX OR 3/4 HP MAX. PUMP DELAY ADJUSTABLE BETWEEN 3 AND 10 MINUTES.
- *** VENT TEMP SWITCH ONLY PROVIDED ON INDOOR BOILERS
- Δ - Δ CONNECTIONS FOR OPTIONAL E-4 ALARM PANEL.
- CHECK CONTROLS PROVIDED (WIRED AS SHOWN) REPLACE WIRING WITH 105°C WIRE OR ITS EQUIVALENT AND 150°C AS NOTED.

KEY	
—	24V 105°C
- - -	24V 150°C
—	120V 105°C
\bigcirc	WIRE NUT
SPG	GROUND
BK	- BLACK
BR	- BROWN
R	- RED
O	- ORANGE
Y	- YELLOW
G	- GREEN
BL	- BLUE
V	- VIOLET
W	- WHITE

CHECKED BY:
APPROVED BY:
ORIG E.O. 3311
8/17/00
CHG E.O. 5223
08/13/14
Ralpak

WIRING DIAGRAM IID ECONO LOW NOX POWER VENT FIRING MODE - ON/OFF

INPUTS:	181,000 THRU 264,000 BTUH
SIZE:	181A/261A
TYPE:	WH1

152522 6