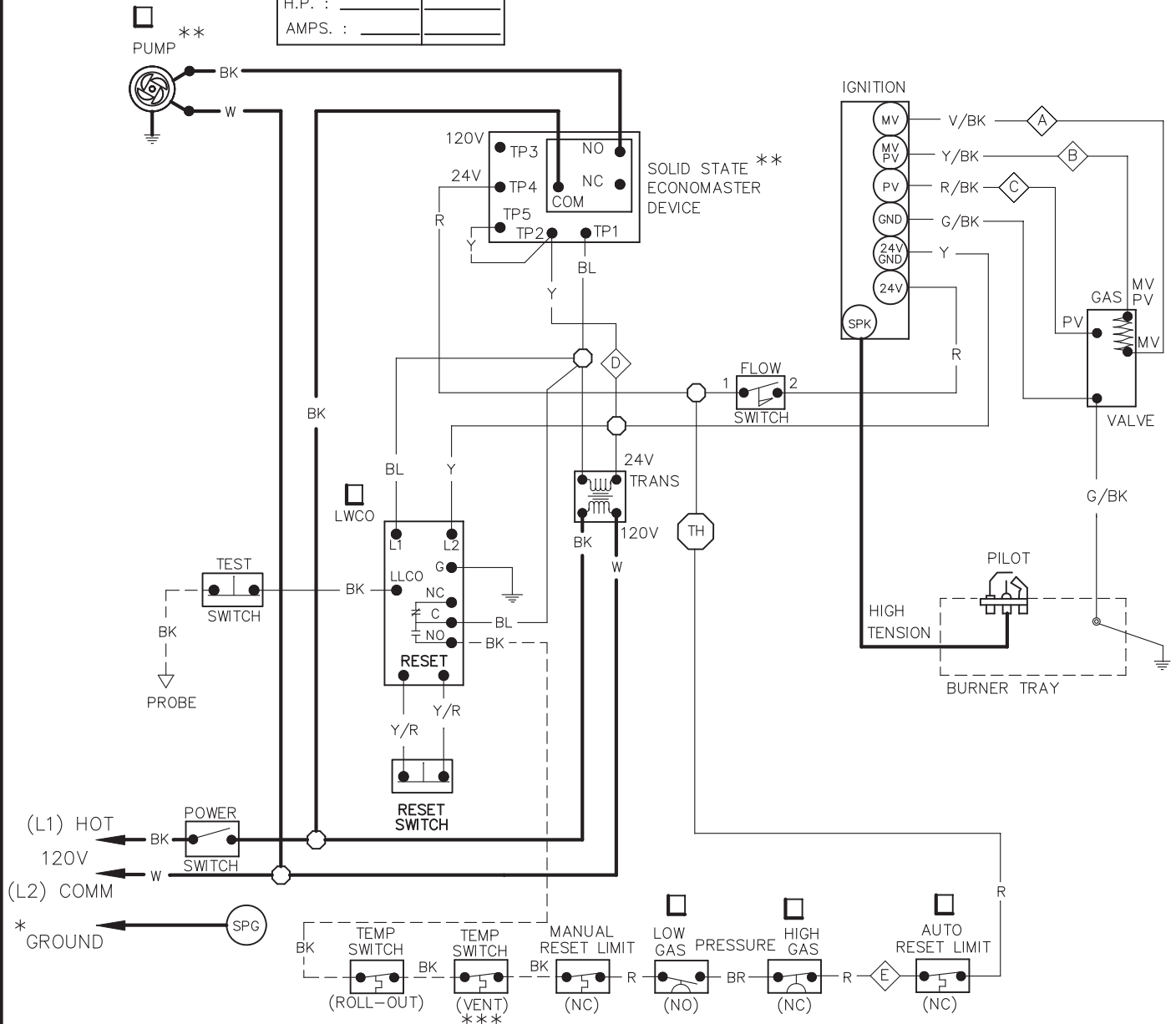


PUMP DATA	
FACTORY	FIELD
MODEL :	
H.P. :	
AMPS. :	



NOTES: * USE GROUND CONNECTION PROVIDED. FAILURE TO PROVIDE PROPER GROUND MAY RESULT IN LOCK-OUT ALL GROUND \perp TERMINATE AT SPG .

****** PUMP USED MUST BE RATED 10 AMPS MAX OR 3/4 HP MAX. PUMP DELAY ADJUSTIBLE BETWEEN 3 AND 10 MINUTES.

******* VENT TEMP SWITCH ONLY PROVIDED ON INDOOR BOILERS

$\text{A} - \text{E}$ CONNECTIONS FOR OPTIONAL E-4 ALARM PANEL.

CHECK CONTROLS PROVIDED (WIRED AS SHOWN) REPLACE WIRING WITH 105°C WIRE OR ITS EQUIVALENT AND 150°C AS NOTED.

KEY	
————	24V 105°C
-----	24V 150°C
————	120V 105°C
○	WIRE NUT
⊕	GROUND
BK	BLACK
BR	BROWN
R	RED
O	ORANGE
Y	YELLOW
G	GREEN
BL	BLUE
V	VIOLET
W	WHITE

CHECKED BY:	
APPROVED BY:	
ORIG E.O. 3311	08/17/00
CHG E.O. 5223	08/12/14

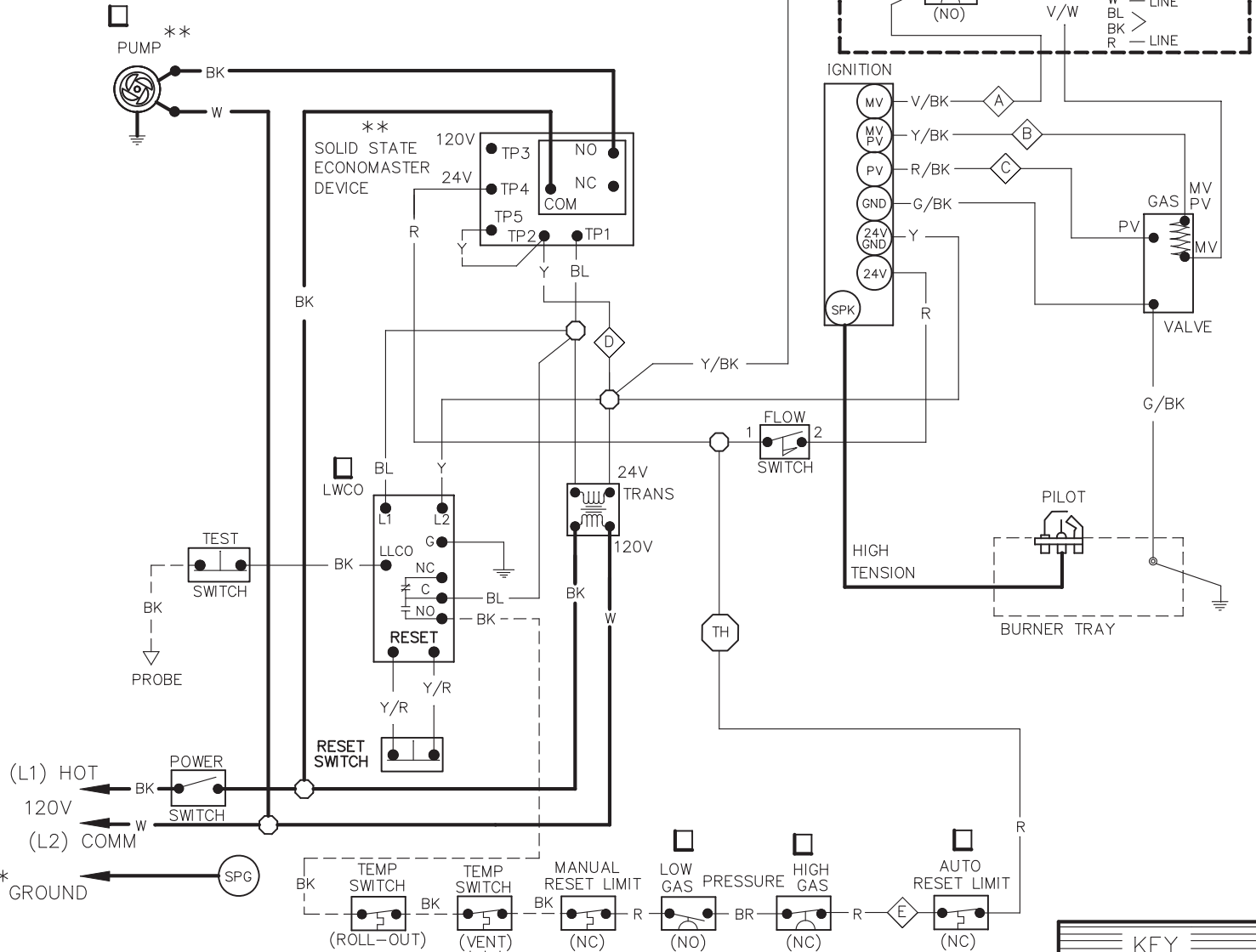
WIRING DIAGRAM IID ECONOMASTER FIRING MODE – ON/OFF

INPUTS: 181,000 THRU 264,000 BTUH

SIZE: **182A/260A** TYPE: **WH1**



PUMP DATA	
FACTORY	FIELD
MODEL :	
H.P. :	
AMPS. :	



NOTES: * USE GROUND CONNECTION PROVIDED. FAILURE TO PROVIDE PROPER GROUND MAY RESULT IN LOCK-OUT ALL GROUND \perp TERMINATE AT SPG .

****** PUMP USED MUST BE RATED 10 AMPS MAX OR 3/4 HP MAX. PUMP DELAY ADJUSTIBLE BETWEEN 3 AND 10 MINUTES.

******* VENT TEMP SWITCH ONLY PROVIDED ON INDOOR BOILERS
 A - E CONNECTIONS FOR OPTIONAL E-4 ALARM PANEL.

CHECK CONTROLS PROVIDED (WIRED AS SHOWN)
 REPLACE WIRING WITH 105°C WIRE OR ITS EQUIVALENT AND 150°C AS NOTED.

WIRING DIAGRAM IID ECONO POWER VENT FIRING MODE - ON/OFF

INPUTS: 181,000 THRU 264,000 BTUH

SIZE: **182A/260A** TYPE: **WH1**

KEY	
—	24V 105°C
- - -	24V 150°C
—	120V 105°C
○	WIRE NUT
⊕	GROUND
BK	BLACK
BR	BROWN
R	RED
O	ORANGE
Y	YELLOW
G	GREEN
BL	BLUE
V	VIOLET
W	WHITE

CHECKED BY:	
APPROVED BY:	
ORIG E.O. 3311	
08/17/00	
CHG E.O. 5223	
08/12/14	
Raupak	

152509 | **5**