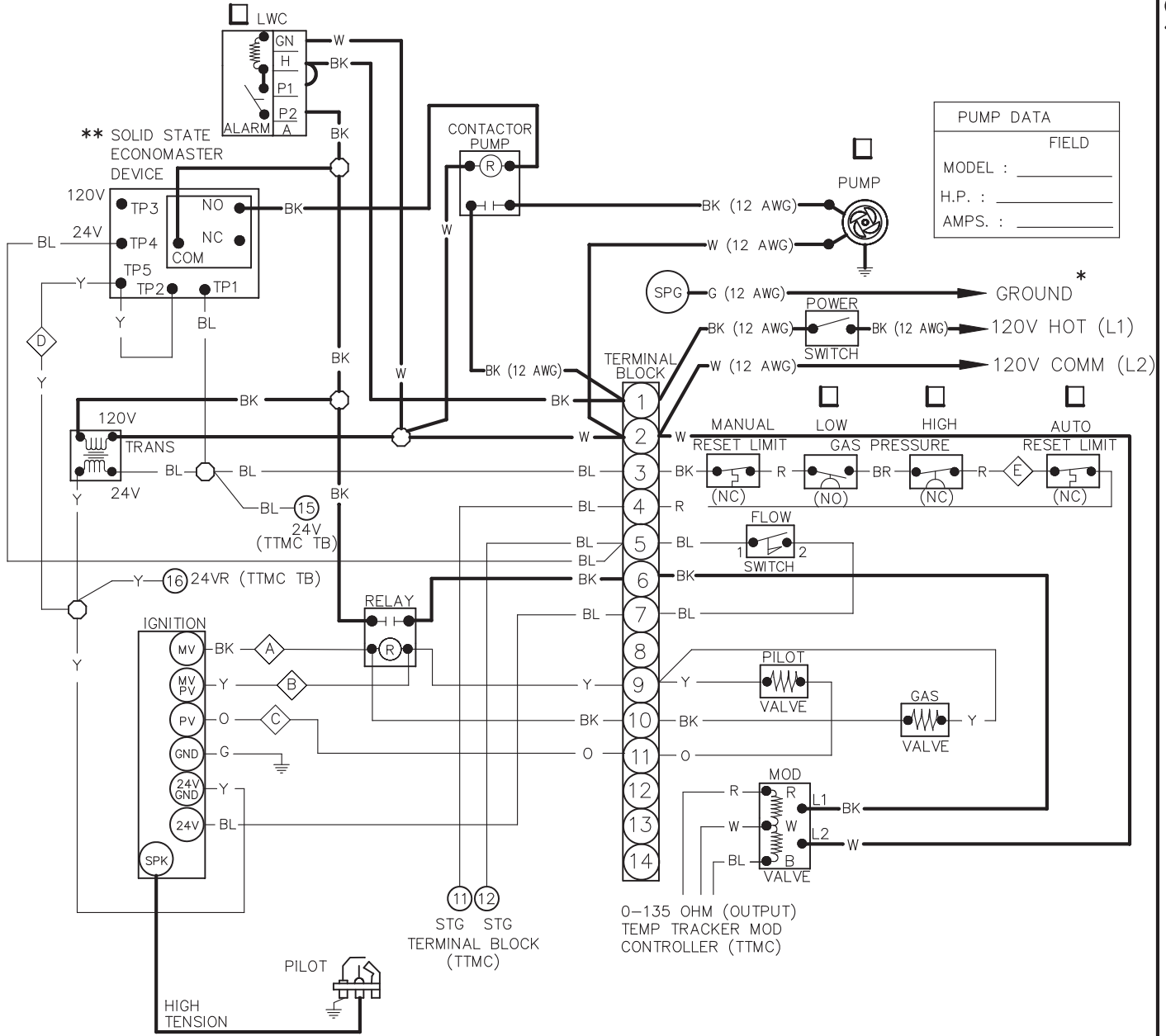


JUNCTION BOX

APPLIANCE CONTROLS



PUMP DATA	
FIELD	_____
MODEL :	_____
H.P. :	_____
AMPS. :	_____

NOTES: * USE GROUND CONNECTION PROVIDED. FAILURE TO PROVIDE PROPER GROUND MAY RESULT IN LOCK-OUT ALL GROUND \perp TERMINATE AT SPG.

- ** PUMP DELAY ADJUSTABLE BETWEEN 3 AND 10 MINUTES.
- ◊ - ◊ CONNECTIONS FOR OPTIONAL E-4 ALARM PANEL.
- ☑ CHECK CONTROLS PROVIDED (WIRED AS SHOWN)
- REPLACE WIRING WITH 105°C WIRE ONLY

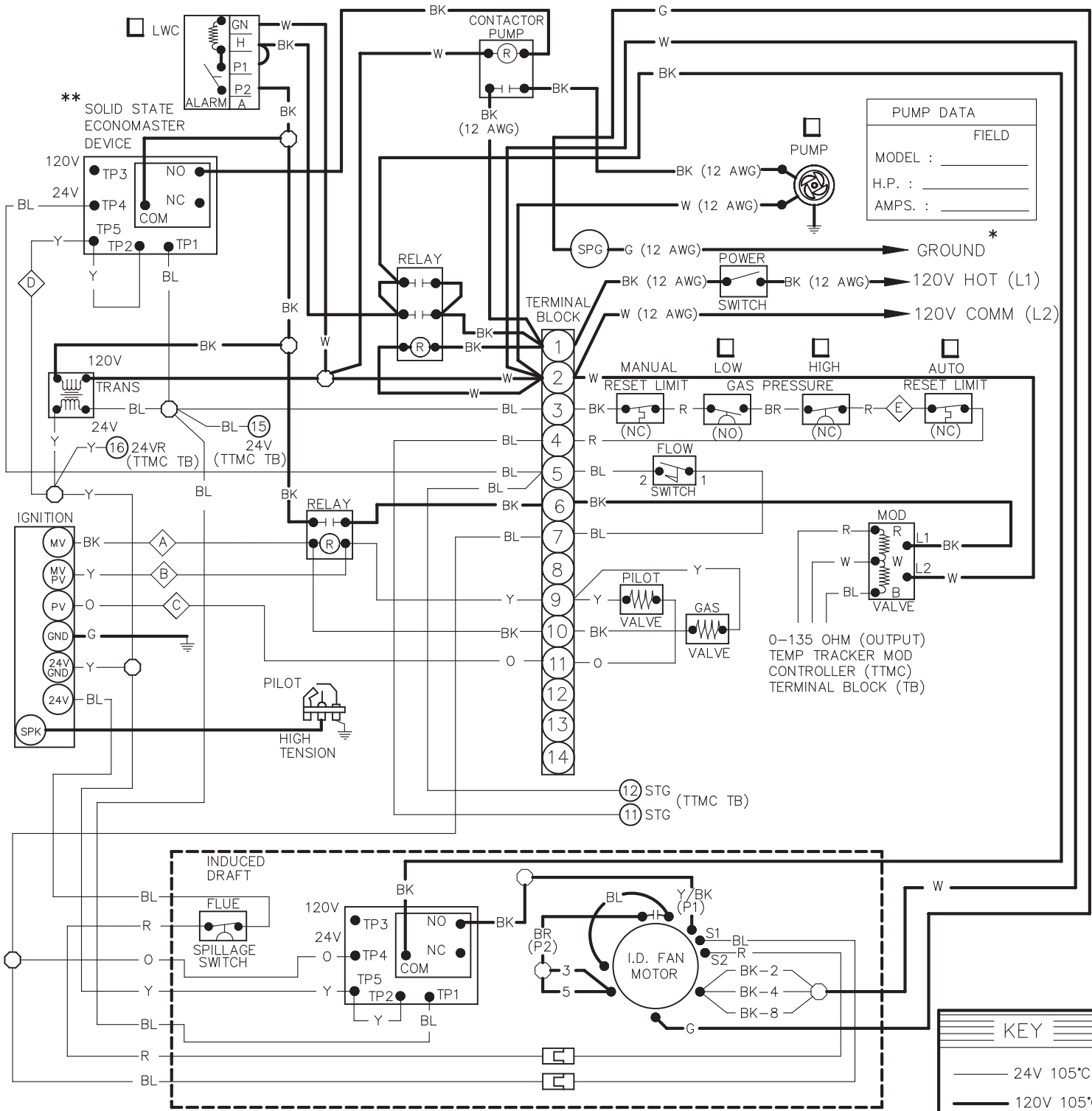
KEY	
—	24V 105°C
—	120V 105°C
○	WIRE NUT
⊕	GROUND
BK	BLACK
BR	BROWN
R	RED
O	ORANGE
Y	YELLOW
G	GREEN
BL	BLUE
V	VIOLET
W	WHITE

CHECKED BY:	
APPROVED BY:	
ORIG E.O. 2927	
01/16/96	
CHG E.O. 5407	
10/13/15	
Raypak	

**WIRING DIAGRAM IID ECONOMASTER
FIRING MODE – MOTORIZED MODULATING**

BOILER INPUTS: 2,100,000 THRU 2,499,000 BTUH

BOILER SIZE: **2100-2500** BOILER TYPE: **H2**



NOTES: * USE GROUND CONNECTION PROVIDED. FAILURE TO PROVIDE PROPER GROUND MAY RESULT IN LOCK-OUT ALL GROUND \perp TERMINATE AT SPG .

** PUMP DELAY ADJUSTABLE BETWEEN 3 AND 10 MINUTES.
 ⬡ - ⬢ CONNECTIONS FOR OPTIONAL E-4 ALARM PANEL.
 CHECK CONTROLS PROVIDED (WIRED AS SHOWN)
 REPLACE WIRING WITH 105°C WIRE ONLY

WIRING DIAGRAM IID ECONO INDUCED DRAFT FIRING MODE - MOTORIZED MODULATING

BOILER INPUTS: 2,100,000 THRU 2,499,000 BTUH

BOILER SIZE: **2100-2500** BOILER TYPE: **H2**

KEY	
	24V 105°C
	120V 105°C
	WIRE NUT
	GROUND
	MALE/FEMALE TERMINAL CONN
BK	BLACK
BR	BROWN
R	RED
O	ORANGE
Y	YELLOW
G	GREEN
BL	BLUE
V	VIOLET
W	WHITE

CHECKED BY:
APPROVED BY:
ORIG E.O. 2927
01/16/96
CHG E.O. 5407
10/13/15
Raupak

152391 7