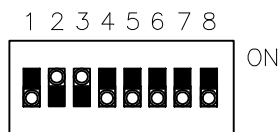
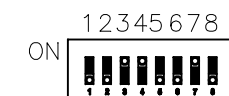


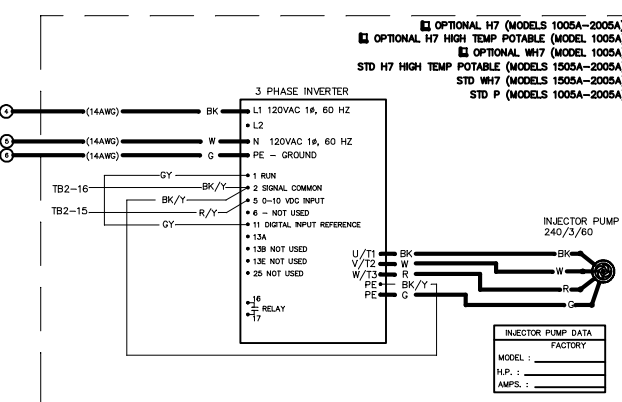
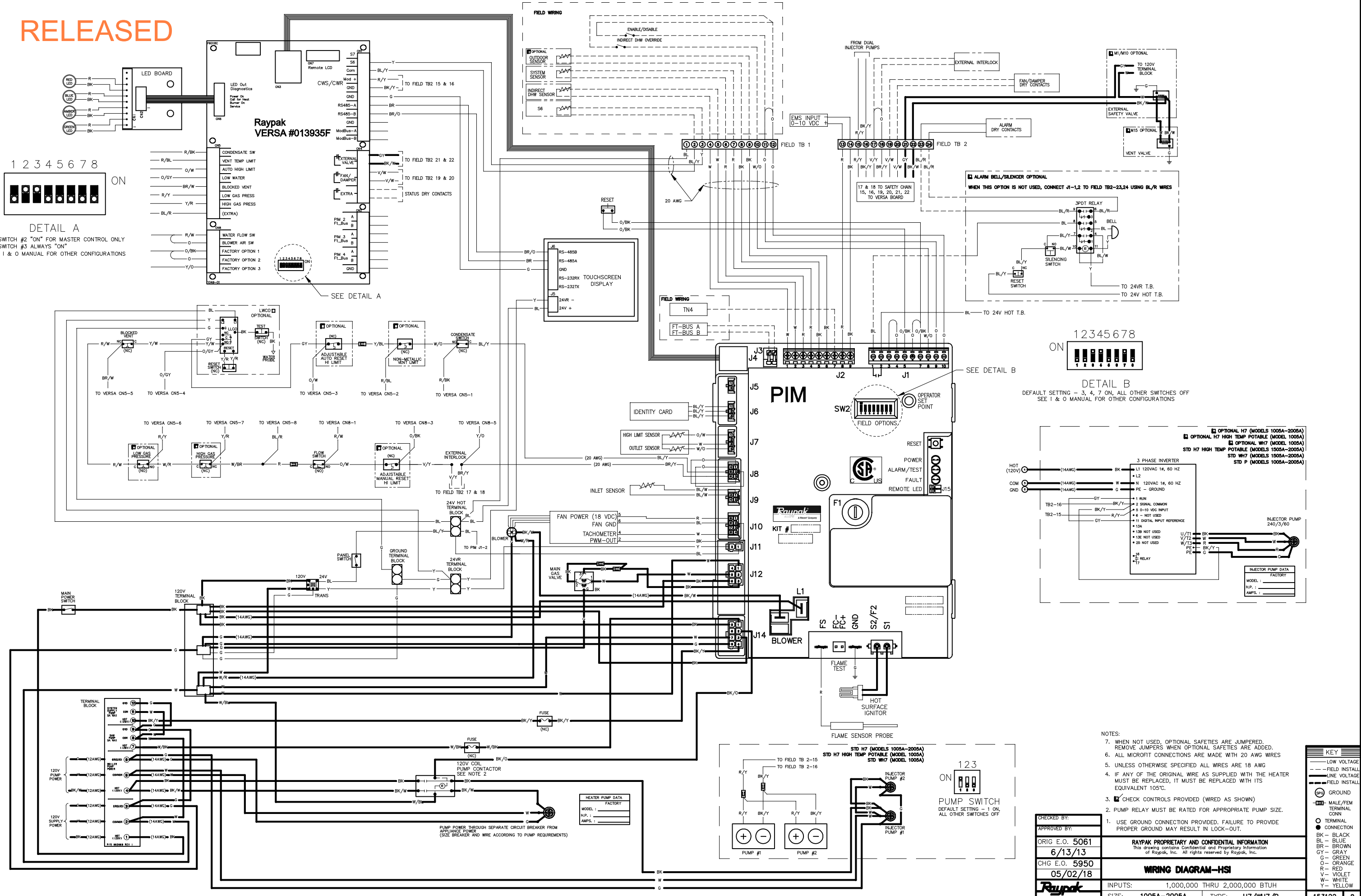
RELEASED



DETAIL A
DIPSWITCH #2 "ON" FOR MASTER CONTROL ONLY
DIPSWITCH #3 ALWAYS "ON"
SEE I & O MANUAL FOR OTHER CONFIGURATIONS



DETAIL B
DEFAULT SETTING - 3, 4, 7 ON, ALL OTHER SWITCHES OFF
SEE I & O MANUAL FOR OTHER CONFIGURATIONS



- NOTES:
- WHEN NOT USED, OPTIONAL SAFETIES ARE JUMPED. REMOVE JUMPERS WHEN OPTIONAL SAFETIES ARE ADDED.
 - ALL MICROFIT CONNECTIONS ARE MADE WITH 20 AWG WIRES.
 - UNLESS OTHERWISE SPECIFIED ALL WIRES ARE 18 AWG.
 - IF ANY OF THE ORIGINAL WIRE AS SUPPLIED WITH THE HEATER MUST BE REPLACED, IT MUST BE REPLACED WITH ITS EQUIVALENT 105°C.
 - CHECK CONTROLS PROVIDED (WIRED AS SHOWN).
 - PUMP RELAY MUST BE RATED FOR APPROPRIATE PUMP SIZE.
 - USE GROUND CONNECTION PROVIDED. FAILURE TO PROVIDE PROPER GROUND MAY RESULT IN LOCK-OUT.

| | | | | | | |
|-----------------------------------------------------------------------------------------------------------------------------------------------------------------------|--------------|-------------------------------|---------------------------|---------------|----------|-------------|
| CHECKED BY: | APPROVED BY: | ORIG E.O. 5061 | 6/13/13 | CHG E.O. 5950 | 05/02/18 | Raypak |
| RAYPAK PROPRIETARY AND CONFIDENTIAL INFORMATION This drawing contains Confidential and Proprietary Information of Raypak, Inc. All rights reserved by Raypak, Inc. | | | WIRING DIAGRAM-HSI | | | |
| INPUTS: | | 1,000,000 THRU 2,000,000 BTUH | | SIZE: | | 1005A-2005A |
| TYPE: | | H7/WH7/P | | 153122 | | 8 |

| KEY | |
|-------|----------------------------|
| --- | LOW VOLTAGE |
| - - - | FIELD INSTALL LINE VOLTAGE |
| --- | FIELD INSTALL LINE VOLTAGE |
| --- | FIELD INSTALL |
| ⊕ | GROUND |
| ⊕ | MALE/FEM TERMINAL CONN |
| ○ | TERMINAL |
| ● | CONNECTION |
| BK | BLACK |
| BL | BLUE |
| BR | BROWN |
| GY | GRAY |
| G | GREEN |
| O | ORANGE |
| R | RED |
| V | VIOLET |
| W | WHITE |
| Y | YELLOW |