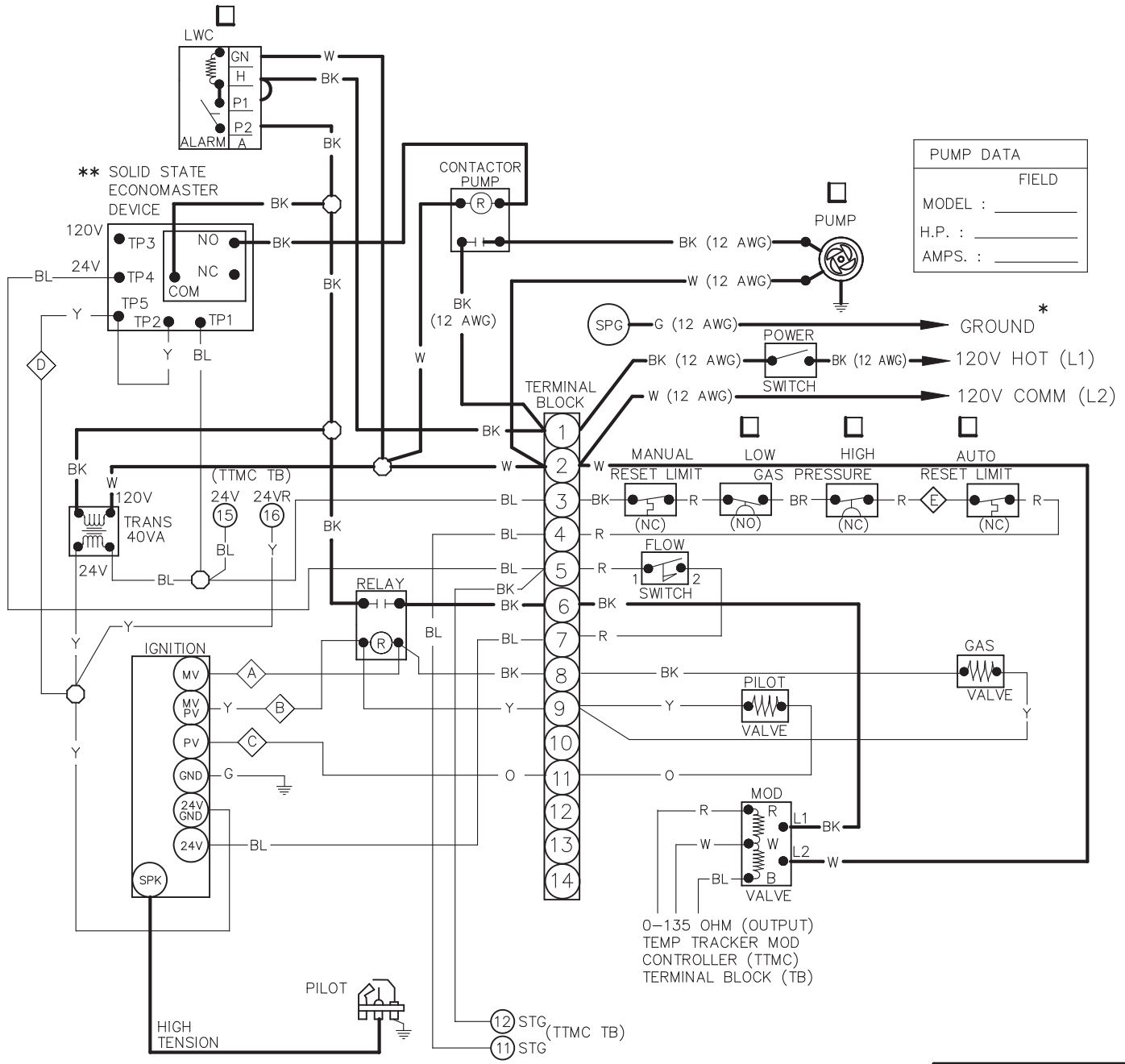


JUNCTION BOX ————— APPLIANCE CONTROLS



PUMP DATA	
	FIELD
MODEL :	_____
H.P. :	_____
AMPS. :	_____

NOTES: * USE GROUND CONNECTION PROVIDED. FAILURE TO PROVIDE PROPER GROUND MAY RESULT IN LOCK-OUT ALL GROUND \perp TERMINATE AT SPG.

- ** PUMP DELAY ADJUSTABLE BETWEEN 3 AND 10 MINUTES.
- \triangle - \diamond CONNECTIONS FOR OPTIONAL E-4 ALARM PANEL.
- CHECK CONTROLS PROVIDED (WIRED AS SHOWN)
- REPLACE WIRING WITH 105°C WIRE ONLY

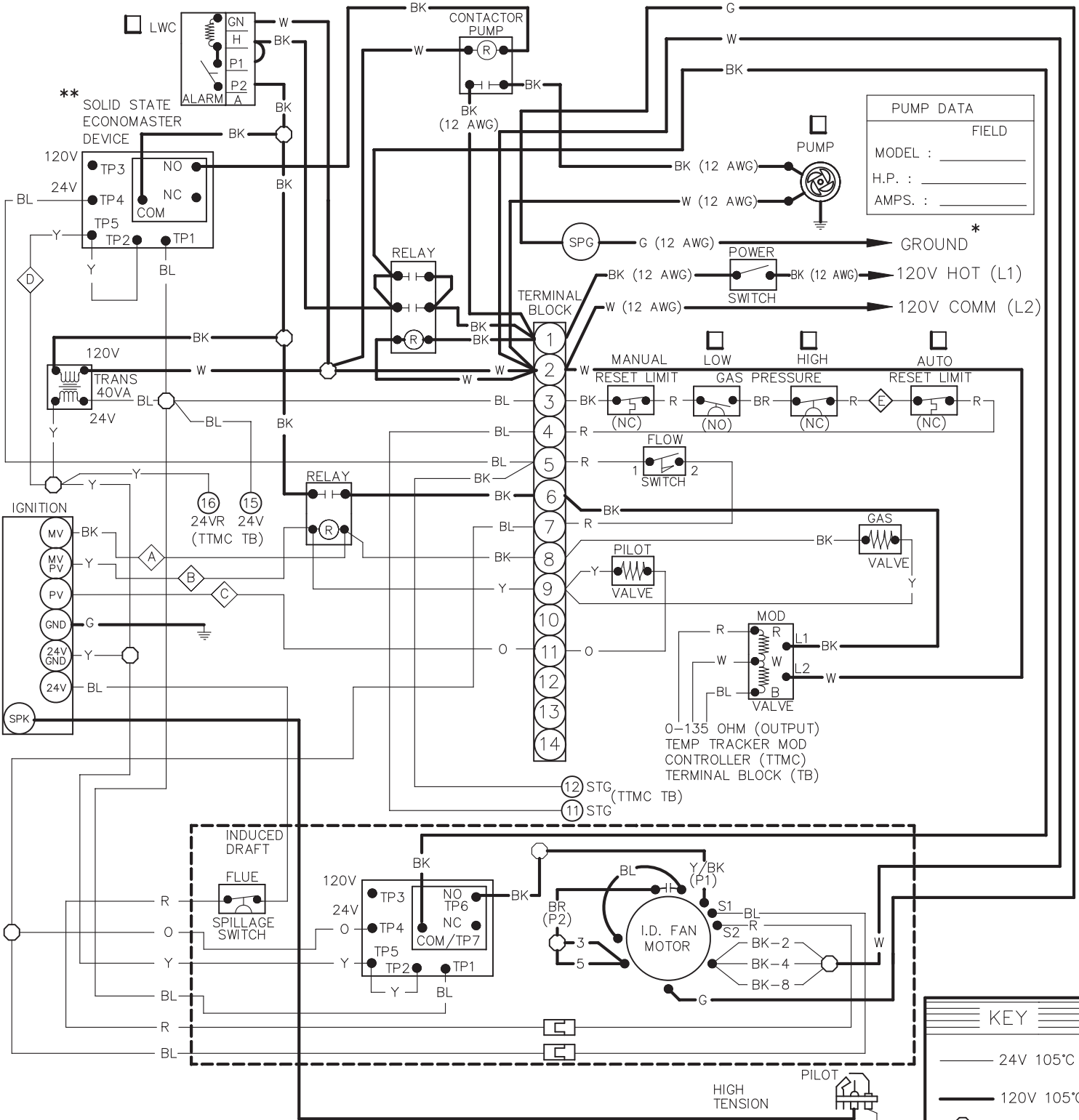
CHECKED BY:
APPROVED BY:
ORIG E.O. 1947
07/05/84
CHG E.O. 5407
10/13/15

WIRING DIAGRAM IID ECONOMASTER FIRING MODE - MOTORIZED MODULATING

BOILER INPUTS: 2,100,000 THRU 2,499,000 BTUH
 BOILER SIZE: **2100-2500** BOILER TYPE: **W2**

KEY	
	24V 105°C
	120V 105°C
	WIRE NUT
	GROUND
BK	- BLACK
BR	- BROWN
R	- RED
O	- ORANGE
Y	- YELLOW
G	- GREEN
BL	- BLUE
V	- VIOLET
W	- WHITE





NOTES:

* **USE GROUND CONNECTION PROVIDED. FAILURE TO PROVIDE PROPER GROUND MAY RESULT IN LOCK-OUT ALL GROUND \perp TERMINATE AT SPG.**

- ** PUMP DELAY ADJUSTABLE BETWEEN 3 AND 10 MINUTES.
- Δ - ∇ CONNECTIONS FOR OPTIONAL E-4 ALARM PANEL.
- CHECK CONTROLS PROVIDED (WIRED AS SHOWN) REPLACE WIRING WITH 105°C WIRE ONLY

WIRING DIAGRAM IID ECONO INDUCED DRAFT FIRING MODE - MOTORIZED MODULATING

BOILER INPUTS: 2,100,000 THRU 2,499,000 BTUH

BOILER SIZE: **2100-2500**

BOILER TYPE: **W2**

KEY	
	24V 105°C
	120V 105°C
	WIRE NUT
	GROUND
	MALE/FEMALE TERMINAL CONN
BK	BLACK
BR	BROWN
R	RED
O	ORANGE
Y	YELLOW
G	GREEN
BL	BLUE
V	VIOLET
W	WHITE

CHECKED BY:
APPROVED BY:
ORIG E.O. 1947
07/05/84
CHG E.O. 5407
10/13/15
Ralpak

151997 12