

PUMP DATA	
FACTORY	FIELD
MODEL :	
H.P. :	
AMPS. :	

NOTES: * USE GROUND CONNECTION PROVIDED. FAILURE TO PROVIDE PROPER GROUND MAY RESULT IN LOCK-OUT
ALL GROUND \perp TERMINATE AT SPG .

****** PUMP USED MUST BE RATED 5 AMPS MAX OR 1/3 HP MAX. PUMP DELAY 5 MINUTES.

******* VENT TEMP SWITCH ONLY PROVIDED ON INDOOR BOILERS

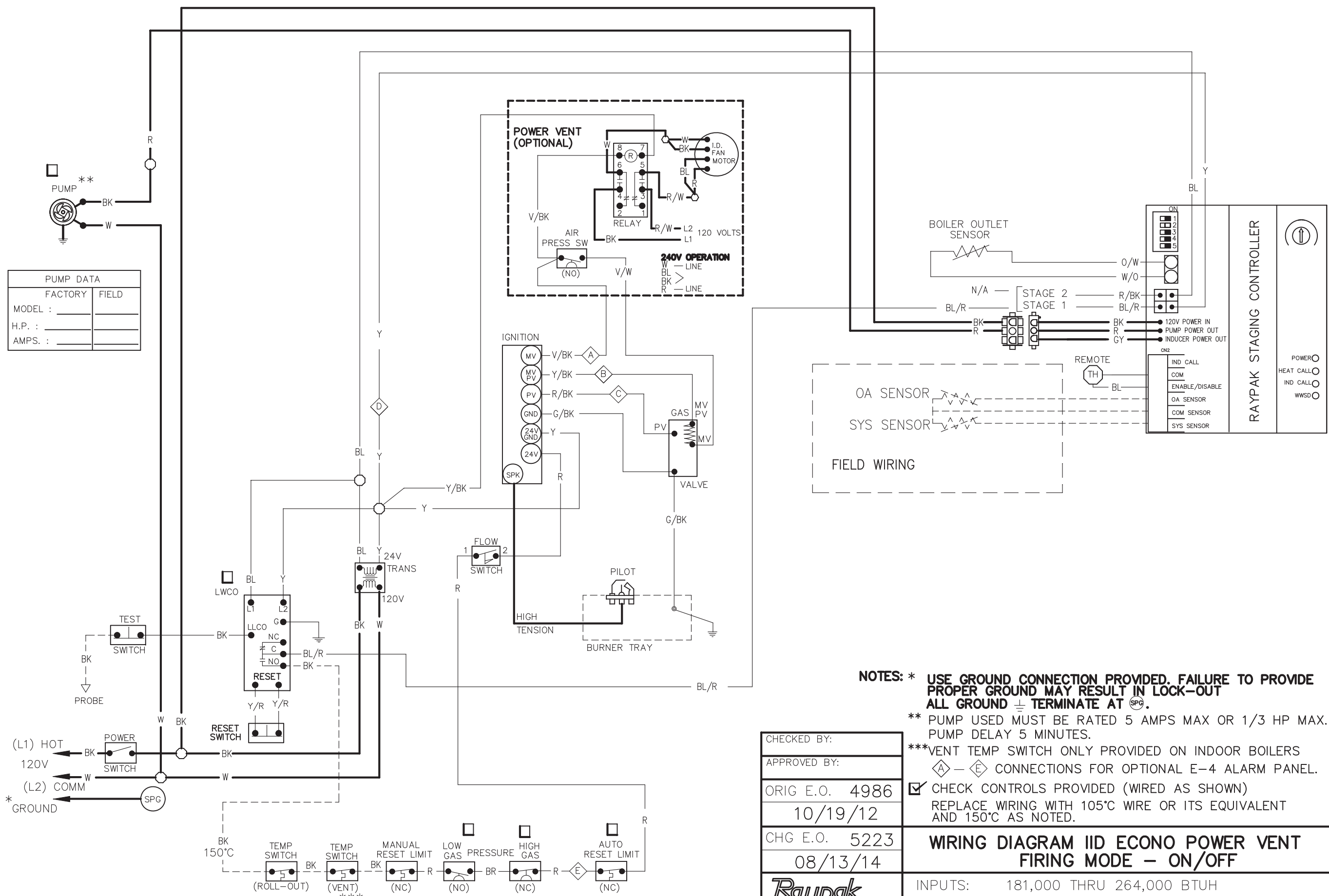
A - E CONNECTIONS FOR OPTIONAL E-4 ALARM PANEL.

CHECK CONTROLS PROVIDED (WIRED AS SHOWN)
 REPLACE WIRING WITH 105°C WIRE OR ITS EQUIVALENT AND 150°C AS NOTED.

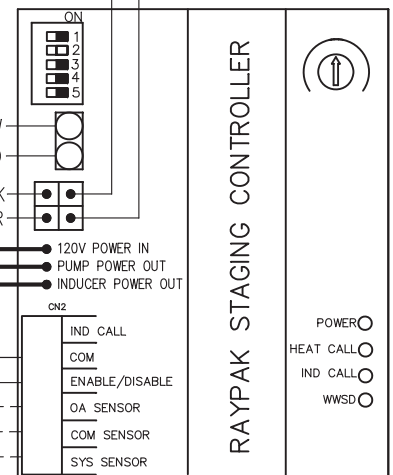
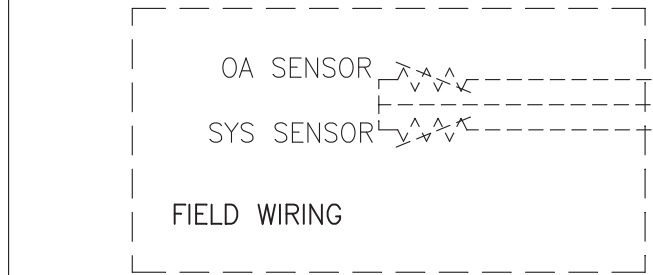
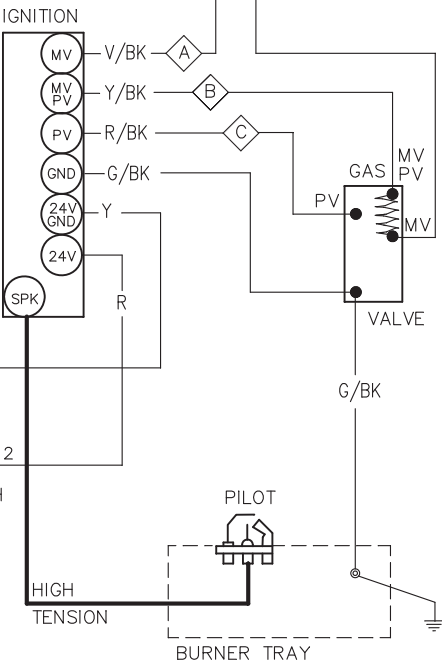
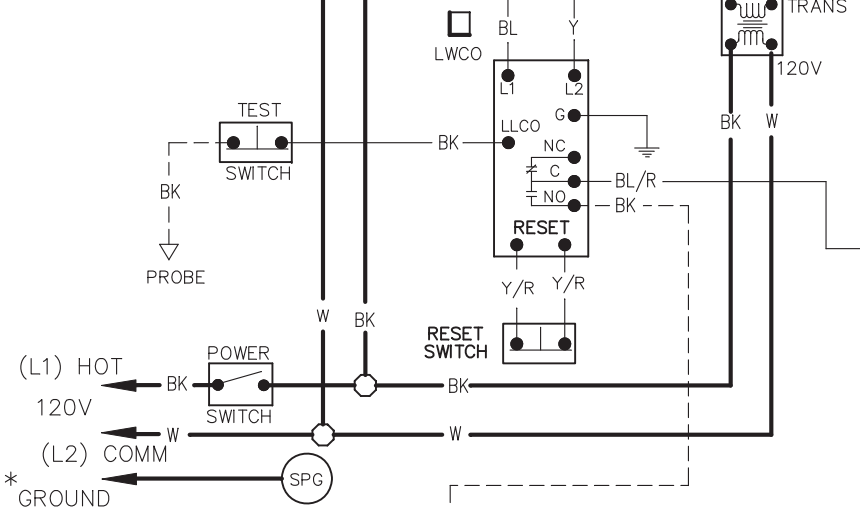
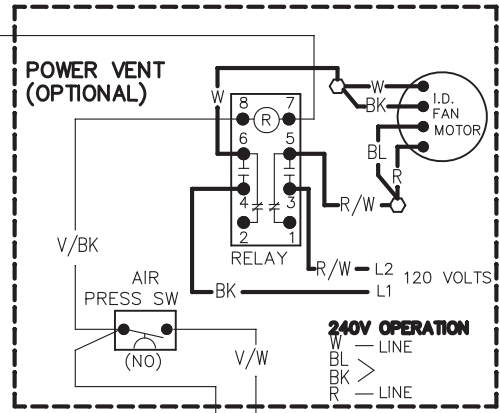
CHECKED BY:	
APPROVED BY:	
ORIG E.O.	4986
	10/19/12
CHG E.O.	5223
	08/13/14
Raypak	

WIRING DIAGRAM IID ECONOMASTER FIRING MODE - ON/OFF	
INPUTS:	181,000 THRU 264,000 BTUH
SIZE:	182/260
TYPE:	H4/W1

KEY	
—	24V 105°C
- - -	24V 150°C
—	120V 105°C
- - -	FIELD INSTALL
\bigcirc	WIRE NUT
SPG	GROUND
TH	THERMOSTAT
BK	- BLACK
BR	- BROWN
R	- RED
O	- ORANGE
Y	- YELLOW
G	- GREEN
BL	- BLUE
V	- VIOLET
W	- WHITE



PUMP DATA	
FACTORY	FIELD
MODEL :	
H.P. :	
AMPS. :	



NOTES: * USE GROUND CONNECTION PROVIDED. FAILURE TO PROVIDE PROPER GROUND MAY RESULT IN LOCK-OUT ALL GROUND \perp TERMINATE AT SPG .

** PUMP USED MUST BE RATED 5 AMPS MAX OR 1/3 HP MAX. PUMP DELAY 5 MINUTES.

*** VENT TEMP SWITCH ONLY PROVIDED ON INDOOR BOILERS

\triangle - \triangleleft CONNECTIONS FOR OPTIONAL E-4 ALARM PANEL.

CHECK CONTROLS PROVIDED (WIRED AS SHOWN) REPLACE WIRING WITH 105°C WIRE OR ITS EQUIVALENT AND 150°C AS NOTED.

CHECKED BY:	
APPROVED BY:	
ORIG E.O.	4986
	10/19/12
CHG E.O.	5223
	08/13/14

WIRING DIAGRAM IID ECONO POWER VENT FIRING MODE - ON/OFF

INPUTS: 181,000 THRU 264,000 BTUH
 SIZE: **182/260** TYPE: **H4/W1**

KEY	
—	24V 105°C
- - -	24V 150°C
—	120V 105°C
- - -	FIELD INSTALL
\bigcirc	WIRE NUT
SPG	GROUND
TH	THERMOSTAT
BK	BLACK
BR	BROWN
R	RED
O	ORANGE
Y	YELLOW
G	GREEN
BL	BLUE
V	VIOLET
W	WHITE