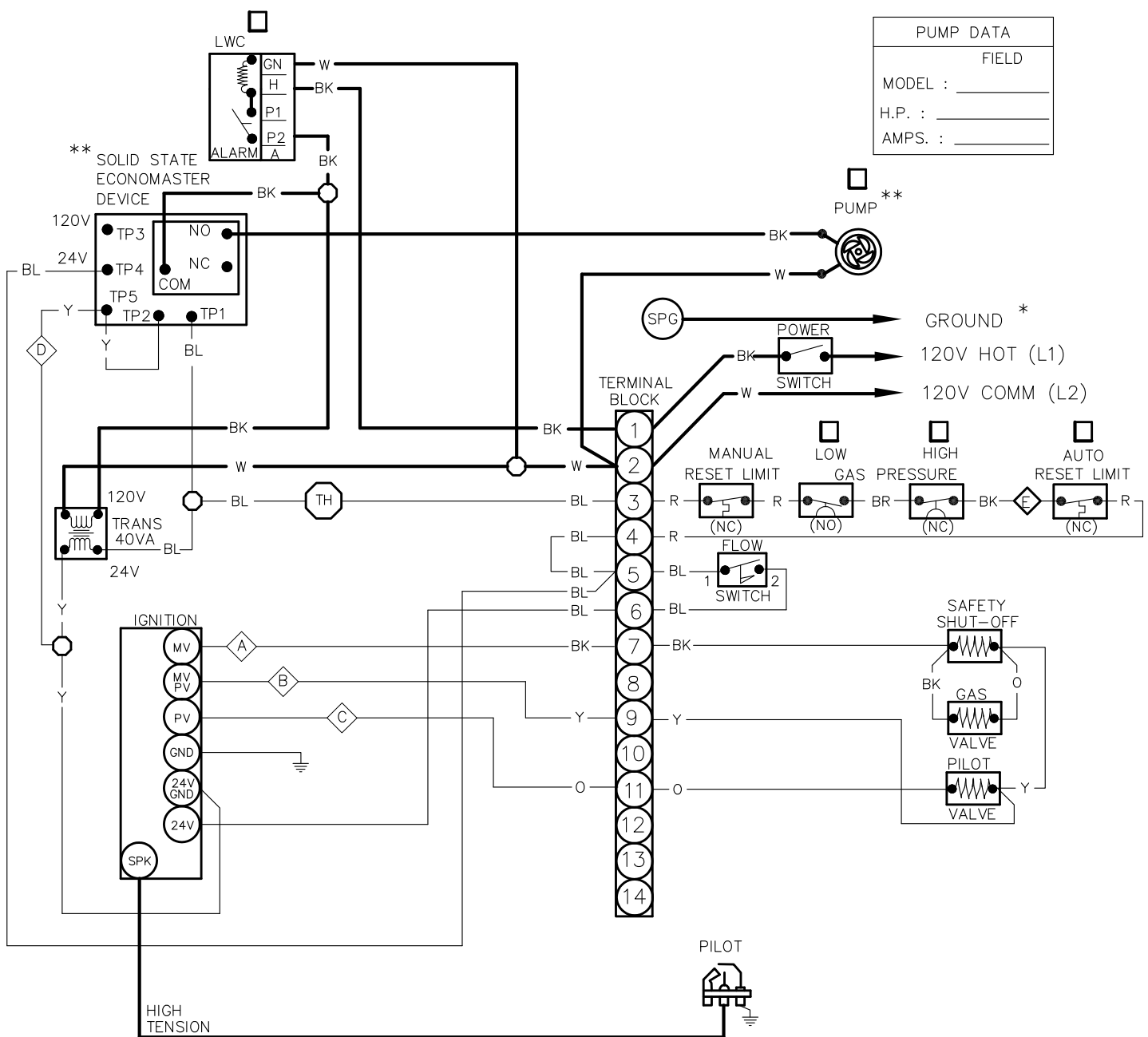


JUNCTION BOX APPLIANCE CONTROLS



PUMP DATA	
MODEL :	FIELD
H.P. :	
AMPS. :	

NOTES: * USE GROUND CONNECTION PROVIDED. FAILURE TO PROVIDE PROPER GROUND MAY RESULT IN LOCK-OUT ALL GROUND \perp TERMINATE AT \oplus .

** PUMP USED MUST BE RATED 10 AMPS MAX OR 3/4 HP MAX. PUMP DELAY ADJUSTABLE BETWEEN 3 AND 10 MINUTES.
 ⬡ - ⬢ CONNECTIONS FOR OPTIONAL E-4 ALARM PANEL.
 CHECK CONTROLS PROVIDED (WIRED AS SHOWN) REPLACE WIRING WITH 105°C WIRE ONLY

WIRING DIAGRAM IID ECONOMASTER FIRING MODE - ON/OFF

BOILER INPUTS: 2,100,000 THRU 2,499,000 BTUH
 BOILER SIZE: **2100-2500** BOILER TYPE: **H4/W1**

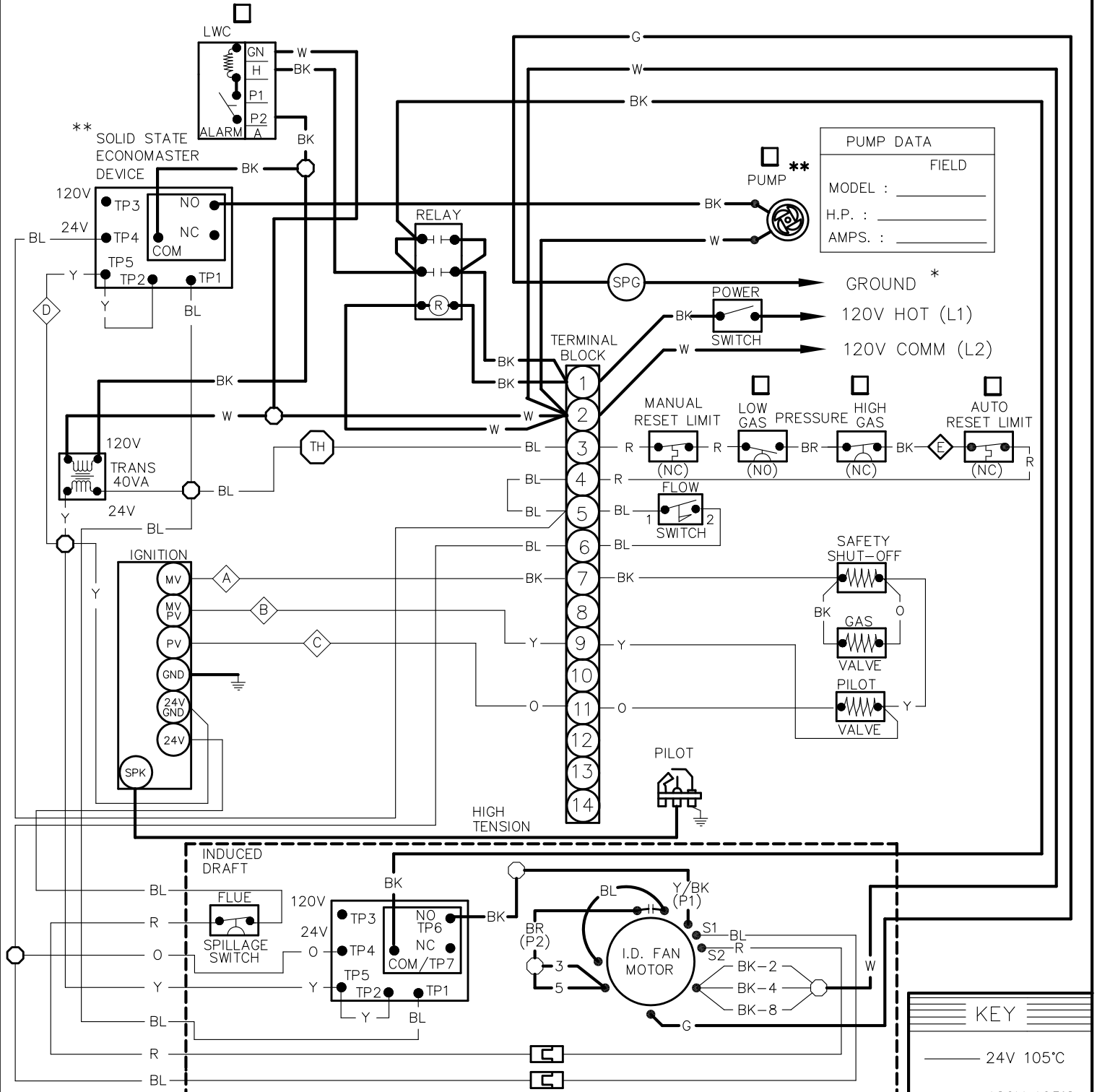
KEY	
—	24V 105°C
—	120V 105°C
○	WIRE NUT
⊕	GROUND
BK	BLACK
BR	BROWN
R	RED
O	ORANGE
Y	YELLOW
G	GREEN
BL	BLUE
V	VIOLET
W	WHITE

CHECKED BY:
APPROVED BY:
ORIG E.O. 1947 07/05/84
CHG E.O. 3883 09/20/06
Raupak

151998 10

151998

JUNCTION BOX APPLIANCE CONTROLS



PUMP DATA	
MODEL :	FIELD
H.P. :	
AMPS. :	

NOTES: * USE GROUND CONNECTION PROVIDED. FAILURE TO PROVIDE PROPER GROUND MAY RESULT IN LOCK-OUT ALL GROUND \perp TERMINATE AT \oplus .

** PUMP USED MUST BE RATED 10 AMPS MAX OR 3/4 HP MAX. PUMP DELAY ADJUSTABLE BETWEEN 3 AND 10 MINUTES.
 ⬡ - ⬢ CONNECTIONS FOR OPTIONAL E-4 ALARM PANEL.
 CHECK CONTROLS PROVIDED (WIRED AS SHOWN) REPLACE WIRING WITH 105°C WIRE ONLY

WIRING DIAGRAM IID ECONO INDUCED DRAFT FIRING MODE - ON/OFF

BOILER INPUTS: 2,100,000 THRU 2,499,000 BTUH
 BOILER SIZE: **2100-2500** BOILER TYPE: **H4/W1**

KEY	
—	24V 105°C
—	120V 105°C
○	WIRE NUT
⊕	GROUND
⊔	MALE/FEMALE TERMINAL CONN
BK	BLACK
BR	BROWN
R	RED
O	ORANGE
Y	YELLOW
G	GREEN
BL	BLUE
V	VIOLET
W	WHITE

CHECKED BY:
APPROVED BY:
ORIG E.O. 1947 07/05/84
CHG E.O. 3883 09/20/06
Raupak

151998 10