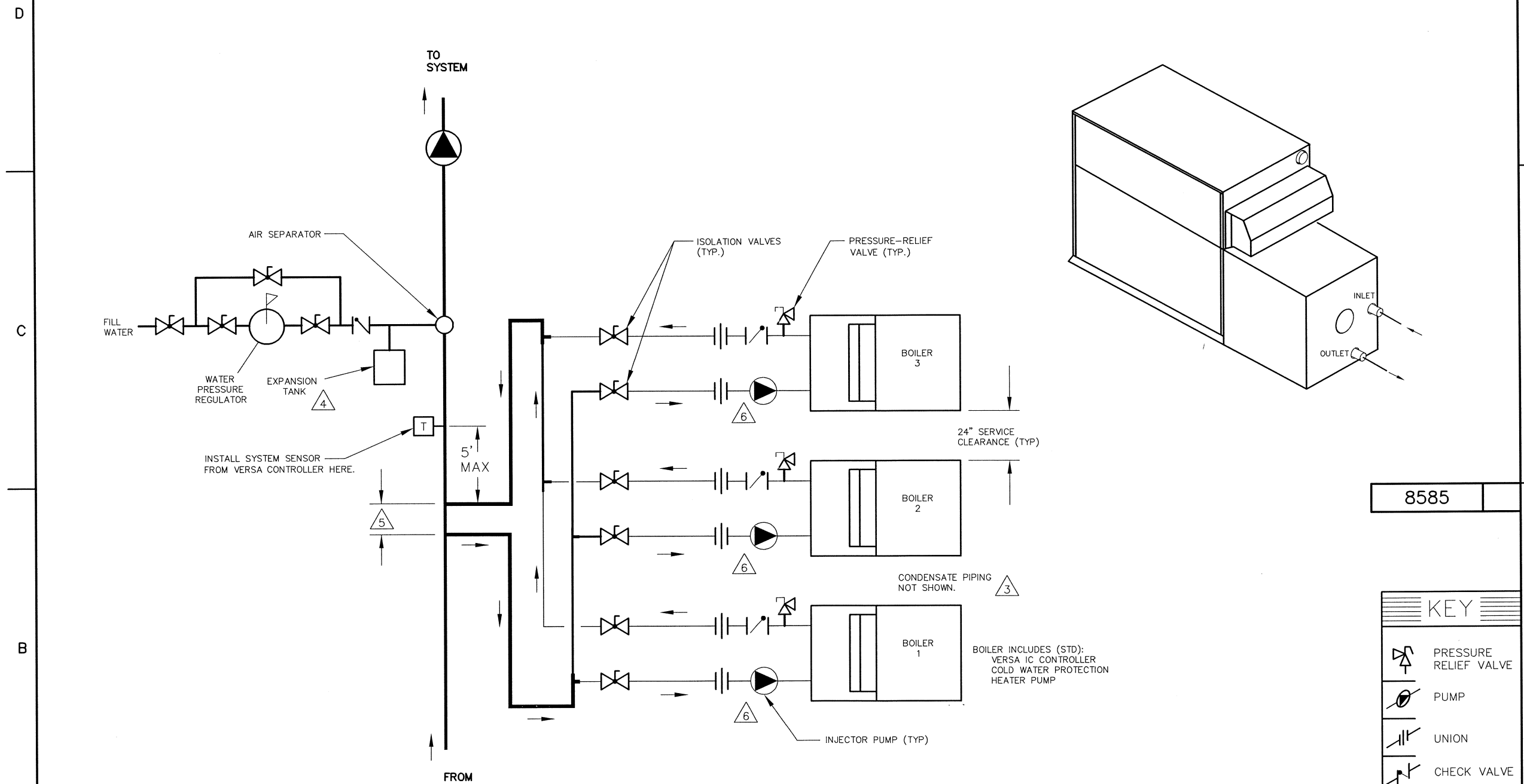


PIPE SIZES			
	UNIT	2 UNITS	3 UNITS
XTERM	4"	4"	5"
2505	4"	5"	6"
3005-4005			

THIS PIPING DIAGRAM IS RAYPAK'S RECOMMENDATION AND IS NOT INTENDED TO REPLACE AN ENGINEERED PIPING SYSTEM DESIGNED BY A PROFESSIONAL ENGINEER.

REVISIONS					
REV	ZONE	DESCRIPTION	E.O.	BY	DATE



NOTES:

- PIPE ALL RELIEF VALVES TO DRAIN, OR AS LOCAL CODES REQUIRE.
- PIPE SIZES MUST BE AT LEAST EQUAL TO THE BOILER INLET/OUTLET SIZE. SEE "PIPE SIZES" CHART ABOVE; COMBINED PIPE SIZES CALCULATED AT MAX FLOW, NOT TO EXCEED 7.5 FT/SEC.
- PIPE CONDENSATE DRAIN TO DISCHARGE PER LOCAL CODE, OR NEUTRALIZE AND DRAIN TO DISCHARGE PER LOCAL CODE.
- PROVIDE FOR THERMAL EXPANSION OF HOT WATER IF A BACKFLOW PREVENTER, CHECK VALVE, WATER METER OR PRESSURE-REDUCING VALVE IS INSTALLED IN THE COLD WATER LINE.
- DECOUPLER SPAN MUST NOT EXCEED 4 PIPE DIAMETERS OR 12", WHICHEVER IS LESS.
- INJECTOR PUMP PROVIDED WITH BOILER FOR FIELD INSTALLATION.

8585

KEY	
	PRESSURE RELIEF VALVE
	PUMP
	UNION
	CHECK VALVE
	BALL VALVE
	THERMOMETER

UNLESS OTHERWISE SPECIFIED: ALL UNITS ARE IN INCHES FRACTIONS ±1/32 ANGLES ±1° X. = ±.12 X.X = ±.06 X.XX = ±.03 X.XXX = ±.010 DRAFT WALL RADIUS CONCENTRICITIES .020 DIA. SQUARENESS .015 IN./IN. BREAK EDGES .015 MAX. SURFACE FINISH PER ASME Y14.36M-1996		APPROVED 	DATE 4/28/15		OXNARD, CALIFORNIA
CHECKED 	DATE 9/28/15	DRAWN K ANDREW	DATE 4-6-15		
TITLE PIPING, HYDRONIC: 3 BOILERS, XTERM					
MATERIAL		SERIES/MODEL H7 2505-4005		DWG. NO. 8585	

ACAD: 8585.DWG  
BOILERS SHOWN REPRESENT VARIOUS MODELS. BECAUSE INDIVIDUAL MODELS WILL VARY IN DESIGN AND SIZING, SEE EACH SPECIFIC BOILER TYPE FOR DETAILS.

THIS DRAWING SUBMITTED UNDER CONFIDENTIAL RELATIONSHIP, AS IT EMBODIES PROPRIETARY INFORMATION, WITH ALL RIGHTS RESERVED BY RAYPAK, INC.