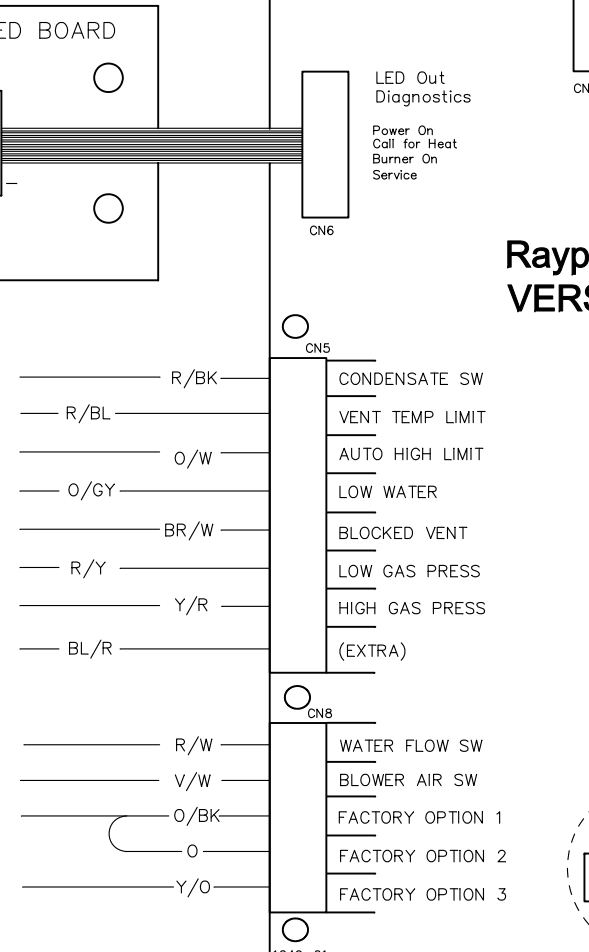
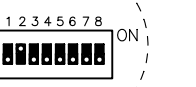


1 2 3 4 5 6 7 8 ON

DETAIL A
DIPSWITCH #2 "ON" FOR MASTER CONTROL ONLY
DIPSWITCH #3 "ON" FOR CWP ONLY
SEE 1 & 0 MANUAL FOR OTHER CONFIGURATIONS

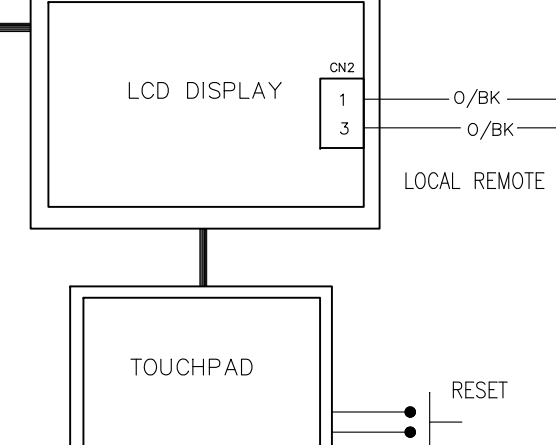


Raypak
VERSA



1 2 3 4 5 6 7 8 ON

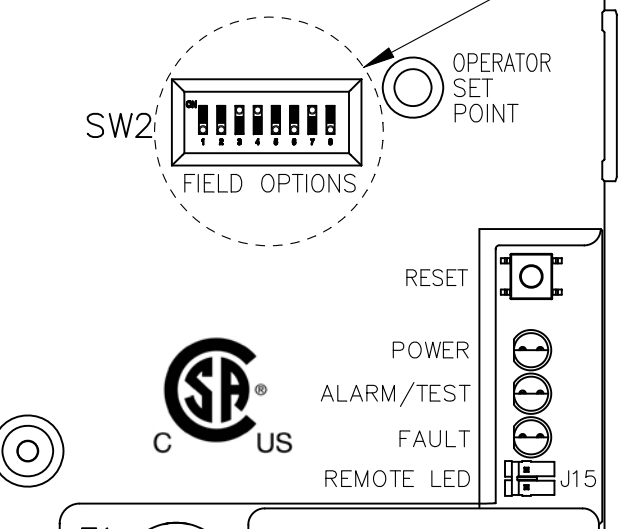
DETAIL B
DEFAULT SETTING - 3, 4, 7 ON, ALL OTHER SWITCHES OFF
SEE 1 & 0 MANUAL FOR OTHER SETTINGS



LCD DISPLAY

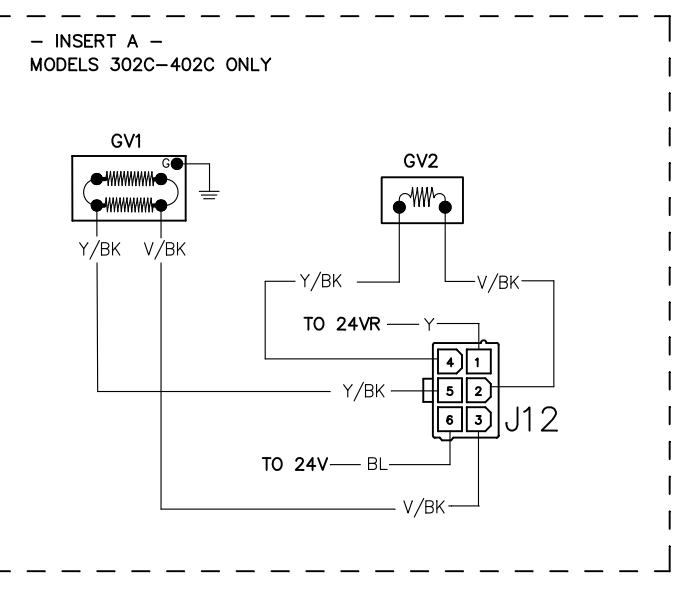
TOUCHPAD

PIM

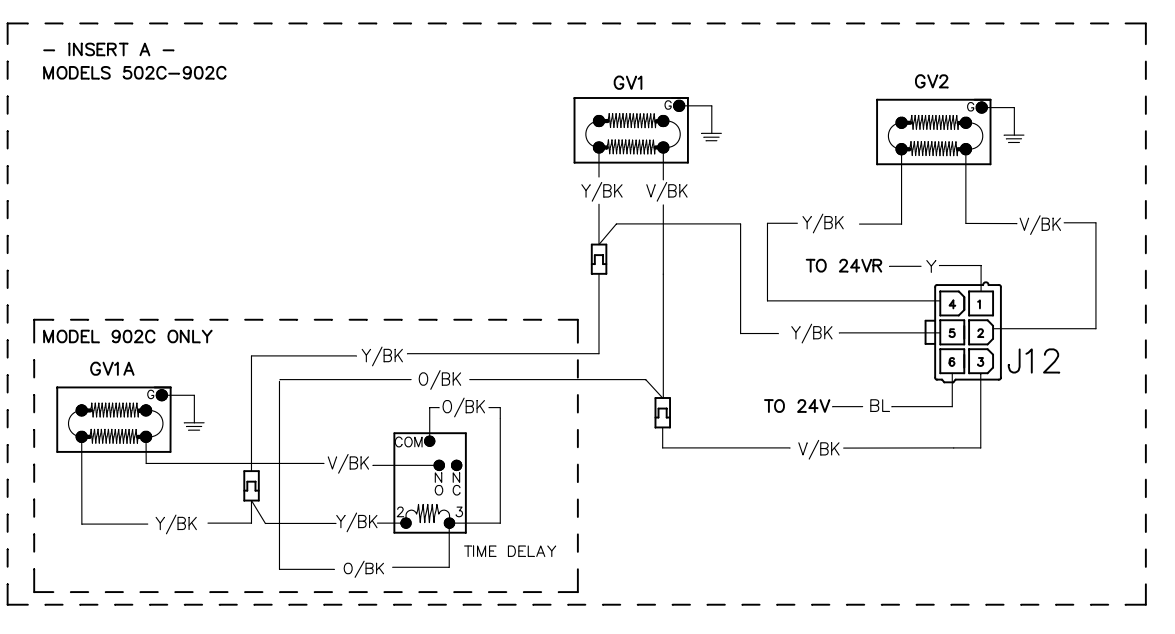


RESET
POWER
ALARM/TEST
FAULT
REMOTE LED

Raypak
KIT #



INSERT A -
MODELS 302C-402C ONLY



INSERT A -
MODELS 502C-902C

FUEL	MODEL SIZE	GAS VALVE		
		GV1	GV2	GV1A
NAT & PRO	302C	A	B (2 STG ONLY)	
	402C	A	B (2 STG ONLY)	
	502C	A	A	
	652C	A	A	
	752C	A	A	
	902C	A	A	A

- NOTES:
- WHEN NOT USED, OPTIONAL SAFETIES ARE JUMPED. REMOVE JUMPERS WHEN OPTIONAL SAFETIES ARE ADDED.
 - ALL MICROFIT CONNECTIONS ARE MADE WITH 20 AWG WIRES
 - UNLESS OTHERWISE SPECIFIED ALL WIRES ARE 18 AWG
 - IF ANY OF THE ORIGINAL WIRE AS SUPPLIED WITH THE HEATER MUST BE REPLACED, IT MUST BE REPLACED WITH ITS EQUIVALENT 105°C.
 - CHECK CONTROLS PROVIDED (WIRED AS SHOWN)
 - PUMP RELAY MUST BE RATED FOR APPROPRIATE PUMP SIZE.
1. USE GROUND CONNECTION PROVIDED. FAILURE TO PROVIDE PROPER GROUND MAY RESULT IN LOCK-OUT.

CHECKED BY:
APPROVED BY:
ORIG E.O. 5568
11/07/16
CHG E.O.
Raypak

WIRING DIAGRAM-HSI INTEGRATED
INPUTS: 300 THRU 900 MBTUH
SIZE: 302C-902C
TYPE: H3, WH3, P

KEY	
---	LOW VOLTAGE
- - -	FIELD INSTALL
---	LINE VOLTAGE
- - -	FIELD INSTALL
⊕	GROUND
⊕	MALE/FEM TERMINAL CONN
○	TERMINAL CONNECTION
●	CONNECTION
■	BLACK
■	BLUE
■	BROWN
■	GRAY
■	GREEN
■	ORANGE
■	RED
■	VIOLET
■	WHITE
■	YELLOW

153149 1