

**COMMERCIAL
MODELS: 30A THROUGH 180A**

CATALOG NO. 9300.9
Effective: 01-01-19
Replaces: 01-15-16

RAYPAK ILLUSTRATED PARTS LIST

MODEL SIZES: 30A, 42A, 66A, 90A, 135A & 180A

MODEL TYPE: H3 & H4

DATES OF MANUFACTURE: MODELS 30A, 42A & 90A 8-1-87 THRU 9-30-90

MODELS 135A & 180A 3-1-88 THRU 9-30-90

MODEL 66A 6-1-89 THRU 9-30-90

THE PARTS LISTED ARE FOR STANDARD EQUIPMENT FOR THIS MODEL TYPE. RAYPAK RESERVES THE RIGHT TO SUBSTITUTE, DELETE OR CHANGE ANY PART WITHOUT NOTIFICATION. THE ADDITION OF OPTIONS MAY ALSO CHANGE SOME OF THE PARTS. ORDER REPLACEMENT PARTS FROM ACTUAL HEATER COMPONENTS.



FOR DETAILED INSTRUCTIONS, SEE "HOW TO USE YOUR RAYPAK ILLUSTRATED PARTS LIST",
CATALOG NO. 9001.10



Raypak, Inc., 2151 Eastman Avenue, Oxnard, CA 93030
(805) 278-5300 Fax (800) 872-9725
Litho In U.S.A.

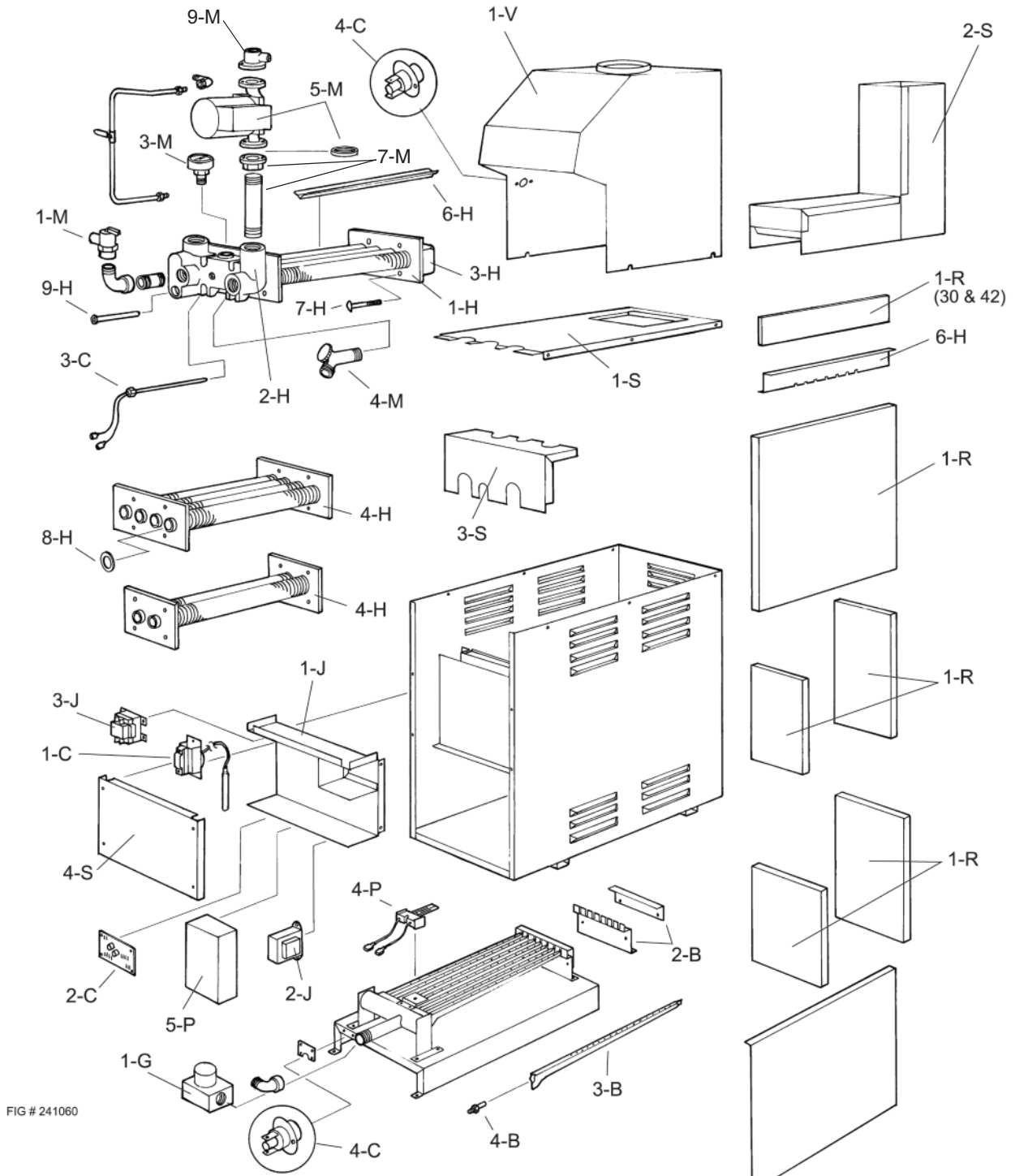


FIG # 241060

HONEYWELL STANDING PILOT

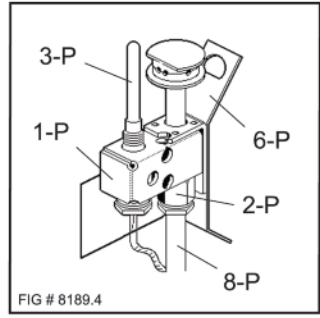


FIG # 8189.4

ROBERTSHAW STANDING PILOT

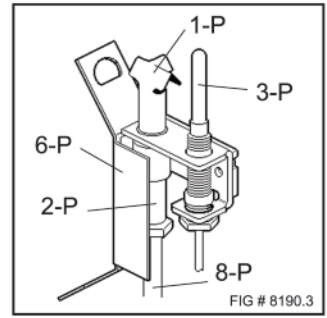


FIG # 8190.3

CALL OUT	DESCRIPTION	30A	42A	66A	90A	135A	180A
B	BURNER TRAY						
1-B	Burner Tray w/oGas Valve (Sea Level) *	003938F	003939F	004513F	003940F	004227F	004228F
2-B	Burner Spacer/Holddown	003941F	003941F	003942F	003942F	004229F	004230F
3-B	Burner	301210/3	301210/3	301210/7	301210/7	301210/11	301210/15
4-B	Burner Orifice Nat (Sea Level) *	350347F/3	350079F/3	350347F/7	350080F/7	350080F/11	350080F/15
	Burner Orifice Pro (Sea Level) *	350353F/3	350083F/3	350353F/7	350350F/7	350351F/11	350351F/15
C	CONTROLS						
1-C	Adj. Auto High Limit	014307F	014307F	014307F	014307F	014307F	014307F
	Staged Controller	N/A	N/A	N/A	N/A	014307F	014307F
2-C	Electronic Fast Sensor w/Probe	003943F	003943F	003943F	003943F	003943F	003943F
3-C	Probe Flow Response	601017	601017	601017	601017	601017	601017
4-C	Roll-Out/Flue Sensor	006021F	006021F	006021F	006021F	006021F	006021F
G	GAS VALVES						
1-G	Combination Valve Nat Std. Honeywell	601009	601009	601009	601009		
	Combination Valve Pro Std. Honeywell	004825F	004825F	004825F	004825F		
	Combination Valve Nat Std. Robertshaw	601009	601009	601009	601009	004824F	004824F
	Combination Valve Pro Std. Robertshaw	004825F	004825F	004825F	004825F	004825F	004825F
	Combination Valve Nat HSI Honeywell	N/A	N/A	N/A	N/A		
	Combination Valve Pro HSI Honeywell	N/A	N/A	N/A	N/A		
	Combination Valve Nat HSI Robertshaw	N/A	N/A	N/A	N/A	N/A	N/A
	Combination Valve Pro HSI Robertshaw	N/A	N/A	N/A	N/A	N/A	N/A
H	HEAT EXCHANGER						
1-H	Heat Exchanger Cast Iron	003945F	003945F	003946F	003946F	004231F	004232F
	Heat Exchanger Brass	N/A	N/A	N/A	N/A	N/A	N/A
2-H	Inlet/Outlet Header Cast Iron	003950F	003950F	003952F	003952F	004235F	004236F
	Inlet/Outlet Header Brass	N/A	N/A	N/A	N/A	N/A	N/A
3-H	Return Header Cast Iron	003954F	003954F	003956F	003956F	004239F	004240F
	Retrun Header Brass	N/A	N/A	N/A	N/A	N/A	N/A
4-H	Tube Bundle ¹	003959F	003959F	003960F	003960F	004243F	004244F
5-H	Heat Exchanger Tube	003961F	003961F	003961F	003961F	003961F	003961F
6-H	Baffle Kit	003963F	003963F	003964F	003964F	004245F	004246F
7-H	Bolt Kit	N/A	N/A	N/A	N/A	N/A	N/A
8-H	Header Gasket	800203B	800203B	800203B	800203B	800203B	800203B
9-H	Sensor Well	007211F	007211F	007211F	007211F	007211F	007211F
10-H	Well Retaining Clip	300203	300203	300203	300203	300203	300203
J	CONTROL BOX						
1-J	Control Box Std. (Complete)	003966F	003966F	003966F	003966F	004249F	004249F
	Control Box HSI (Complete)	N/A	N/A	N/A	N/A	N/A	N/A
2-J	Transformer	650691	650691	650691	650691	650691	650691
3-J	Relay	007376F	007376F	007376F	007376F	007376F	007376F
M	MISCELLANEOUS						
1-M	PRV 30 PSI	501410	501410	501410	501410	501410	501410
2-M	Delimiting Kit	052871F	052871F	052871F	052871F	052871F	052871F
3-M	T & P Gauge 0-90 PSI	007205F	007205F	007205F	007205F	007205F	007205F
4-M	Drain Valve	006536F	006536F	006536F	006536F	006536F	006536F
5-M	Pump (Taco)	003968F	003968F	003968F	004251F	004714F	004714F
7-M	Pump Flange Outlet CI	013487F	013487F	013487F	013487F	013488F	013488F
9-M	Pump Flange Inlet BR	015086F	015086F	015086F	015086F	015087F	015087F
	Pump Flange Inlet CI	009063F	009063F	009063F	009063F	009064F	009064F
6-M	Wire/Harness Std.	003969F	003969F	003969F	003969F	004256F	004256F
	Wire/Harness HSI Honeywell	N/A	N/A	N/A	N/A	N/A	N/A
	Wire/Harness HSI Robertshaw	N/A	N/A	N/A	N/A	N/A	N/A
8-M	Touch-up Paint Green	750125	750125	750125	750125	750125	750125

*FOR ALTITUDES ABOVE 2,000 FEET ABOVE SEA LEVEL, CONSULT FACTORY.

¹NUMBER OF TUBES VARIES FOR EACH MODEL SIZE.

CALL OUT	DESCRIPTION	30A	42A	66A	90A	135A	180A
P	PILOT						
1-P	Pilot Nat Std.	003972F	003972F	003972F	003972F	003972F	003972F
	Pilot Pro Std.	003973F	003973F	003973F	003973F	003973F	003973F
2-P	Pilot Orifice Nat Std.	003974F	003974F	003974F	003974F	003974F	003974F
	Pilot Orifice Pro Std.	003975F	003975F	003975F	003975F	003975F	003975F
3-P	Pilot Thermocouple	600003	600003	600003	600003	600003	600003
4-P	Hot Surface Ignitor HSI	N/A	N/A	N/A	N/A	N/A	N/A
5-P	Ignition Control HSI Honeywell	N/A	N/A	N/A	N/A	N/A	N/A
	Ignition Control HSI Fenwal	N/A	N/A	N/A	N/A	N/A	N/A
6-P	Pilot Mtg. Bracket Std.	306239	306239	306239	306239	306239	306239
7-P	Lighter Tube Std.	052797	052797	052797	052797	052797	052797
8-P	Pilot Tube	004078F	004078F	004078F	004078F	004078F	004078F
R	REFRACTORY						
1-R	Refractory Kit	003977F	003977F	003978F	003978F	004259F	004260F
S	SHEETMETAL						
1-S	Jacket Top	003979F	003979F	003980F	003980F	004261F	004268F
2-S	Flue Collector	003981F	003981F	003982F	003982F	004262F	004263F
3-S	Access Panel	003983F	003983F	003983F	003983F	004264F	004264F
4-S	Control Panel Cover	003984F	003984F	003984F	003984F	004265F	004265F
V	VENTING						
1-V	Drafthood	003985F	003985F	003986F	003986F	004266F	004267F

GAS CONVERSION KITS **	30A	42A	66A	90A	135A	180A
HONEYWELL GAS VALVE						
Standing Pilot Nat to Pro	***	***	***	***	004281F	004285F
Standing Pilot Pro to Nat	***	***	***	***	004282F	004286F
Hot Surface Ignition Nat to Pro	N/A	N/A	N/A	N/A	N/A	N/A
Hot Surface Ignition Pro to Nat	N/A	N/A	N/A	N/A	N/A	N/A
ROBERTSHAW GAS VALVE						
Standing Pilot Nat to Pro	004289F	004293F	004702F	004297F		
Standing Pilot Pro to Nat	004290F	004294F	004703F	004298F		
Hot Surface Ignition Nat to Pro	N/A	N/A	N/A	N/A		
Hot Surface Ignition Pro to Nat	N/A	N/A	N/A	N/A		

** Gas conversions are to be done only by a qualified agency.

***Gas conversion only available in Robertshaw valve.



Registered Quality Management System

www.raypak.com