

**COMMERCIAL**  
**MODEL: B195**

CATALOG NO. 9400.35  
Effective: 02-01-16  
Replaces: 04-02-14

## RAYPAK ILLUSTRATED PARTS LIST

**MODEL SIZE: B195A**

**MODEL TYPE: B (BOOSTER)**

DATES OF MANUFACTURE: 09-01-95 THROUGH 12-31-03

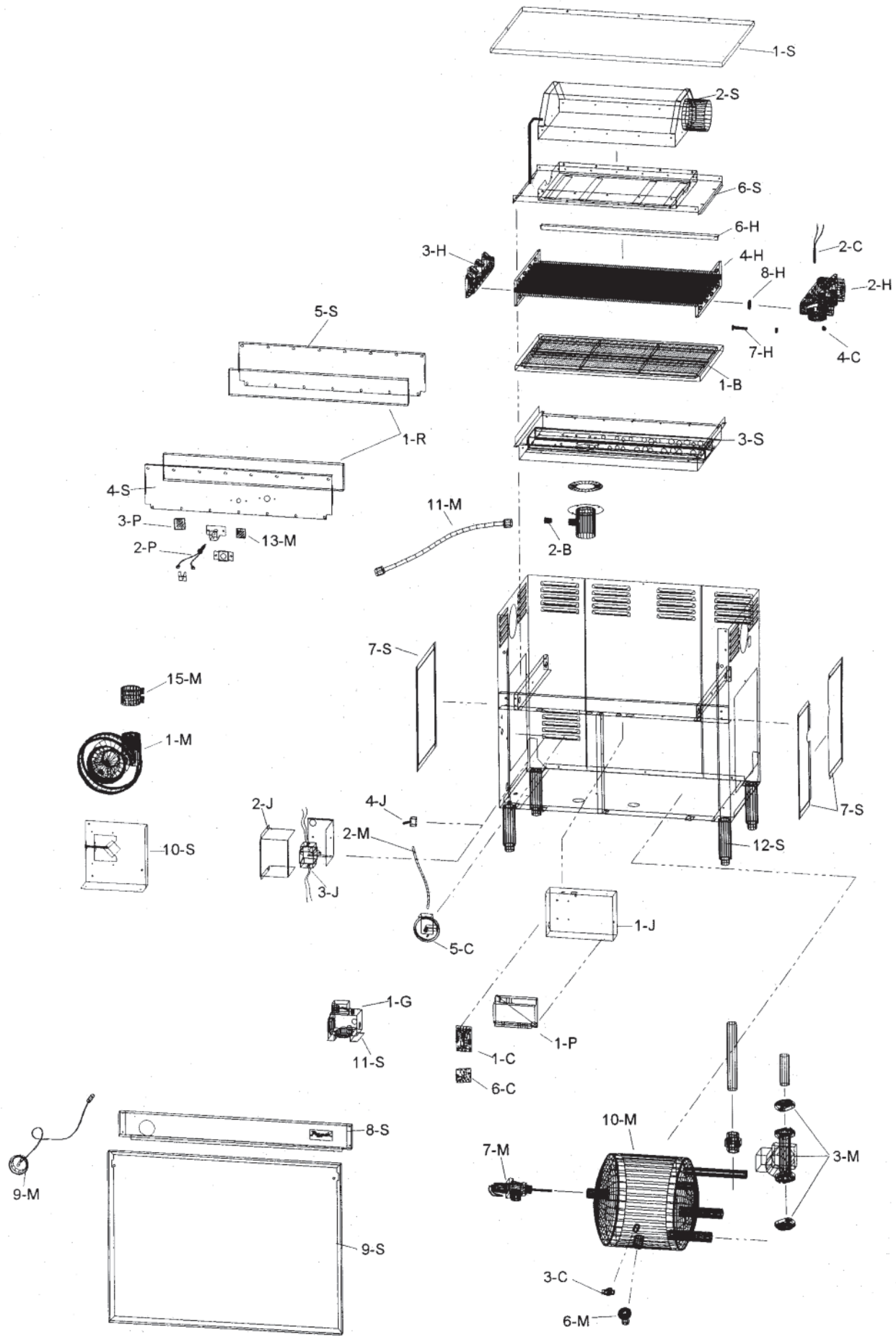
THE PARTS LISTED ARE FOR STANDARD EQUIPMENT FOR THIS MODEL TYPE. RAYPAK RESERVES THE RIGHT TO SUBSTITUTE, DELETE OR CHANGE ANY PART WITHOUT NOTIFICATION. THE ADDITION OF OPTIONS MAY ALSO CHANGE SOME OF THE PARTS. ORDER REPLACEMENT PARTS FROM ACTUAL HEATER COMPONENTS.



FOR DETAILED INSTRUCTIONS ON "HOW TO USE YOUR RAYPAK ILLUSTRATED PARTS LIST" SEE 9001.10 INSTRUCTION SHEET.



Raypak, Inc., 2151 Eastman Avenue, Oxnard, CA 93030  
(805) 278-5300 Fax (800) 872-9725  
Litho In U.S.A.



CALL OUT	DESCRIPTION	PART NO.
<b>B</b>	<b>BURNER TRAY</b>	
1-B	Burner Tray Complete	005704F
	Burner Tray Complete (Propane Gas)	006761F
2-B	Burner Orifice Nat.(N) Sea Level *	351204
	Burner Orifice, Pro #19 Sea Level*	351416
<b>C</b>	<b>CONTROLS</b>	
1-C	Operating Limit	005197F
2-C	Probe - Sensor	006532F
3-C	Manual Reset High Limit	008093F
4-C	Auto Reset High Limit	601270
5-C	Combustion Air Pressure Switch (N. O.) BEFORE 8/15/98	010355F
	Vent Pressure Switch (N.C.) BEFORE 8/15/98	601169
	Combustion Air/Vent Pressure Switch (N. O.) AFTER 8/15/98	010355F
6-C	Relay SPST (N.O.)	007377F
<b>G</b>	<b>GAS VALVE</b>	
1-G	Gas Valve, Nat.	006541F
	Gas Valve Propane	N/A
2-G	Gas Valve Manual Shut-Off (Not Shown)	006543F
<b>H</b>	<b>HEAT EXCHANGER</b>	
1-H	Heat Exchanger Complete	005705F
2-H	Inlet/Outlet Header	005766F
3-H	Return Header	004982F
4-H	Tube Bundle	005706F
5-H	Heat Exchanger Tube	005707F
6-H	Baffle Kit	005708F
7-H	Carriage Bolt Kit	N/A
	Stud Bolt Kit	007911F
8-H	Header Gasket	005083B
<b>J</b>	<b>CONTROL BOX</b>	
1-J	Control Box Complete (Includes 1-C, 1-P)	005709F
2-J	Wiring Box	005725F
3-J	Transformer 24/120 50 VA	006533F
4-J	On/Off Switch	006531F
<b>M</b>	<b>MISCELLANEOUS</b>	
1-M	Blower	005710F
2-M	Air Pressure Switch Tubing	005712F
3-M	Pump	004990F
4-M	Pump Cartridge	951116F
5-M	Pump Flange Gasket	005191F
6-M	Drain Valve	501520
7-M	Temperature & Pressure Relief Valve	501753
8-M	Pressure Regulator (Not Shown)	006539F
9-M	Temperature Gauge	601157
10-M	Storage Tank 5 Gallon	005713F
11-M	Gas Flex Hose	005714F
12-M	Wire Harness	005715F
13-M	Inspection Window	005193F
14-M	Silicone Rubber Sealant (10oz)	005755F
15-M	Blower/Manifold Seal	005711F
16-M	Deliming Kit	052871F

\* For Altitudes Above 2000 Feet Above Sea Level, Consult Factory.

CALL OUT	DESCRIPTION	PART NO.
<b>P</b>	<b>PILOT</b>	
1-P	Ignition Control Module	005703F
2-P	Hot Surface Ignitor	005329F
3-P	Remote Sensor	601501
<b>R</b>	<b>REFRACTORY</b>	
1-R	Refractory Kit	005716F
<b>S</b>	<b>SHEETMETAL</b>	
1-S	Jacket Top (Stainless Steel)	005717F
2-S	Flue Collector	005720F
3-S	Combustion Box	005721F
4-S	Combustion Box Front Panel Kit	005722F
5-S	Combustion Box Rear Panel	005767F
6-S	Combustion Box Top Panel	005727F
7-S	Access Panel	005723F
8-S	Control Panel (Stainless Steel) w/ Gauge Hole	005718F
	Control Panel (Stainless Steel) w/o Gauge Hole	006360F
9-S	Door (Stainless Steel)	005719F
10-S	Blower Mounting Panel	005728F
11-S	Gas Valve Mounting/Wrenching Bracket	005726F
12-S	Support Leg (1)	006217F



**ISO 9001**

Registered Quality Management System

[www.raypak.com](http://www.raypak.com)