

COMMERCIAL
MODELS: RAYTHERM 926 THRU 1826

CATALOG NO. 9300.50
 Effective: 02-01-19
 Replaces: 09-01-17

RAYPAK ILLUSTRATED PARTS LIST

MODEL SIZES: 926, 962, 1083, 1125, 1178, 1223, 1287, 1336, 1414, 1468, 1571, 1631, 1758 & 1826
MODEL TYPE: H, W, WH, N, NH, R & RH

DATES OF MANUFACTURE: 09-01-82 THROUGH CURRENT EXCEPT AS NOTED
 MODEL TYPE: H6 -11-01-84 THROUGH 12-31-08
 MODEL TYPE: R - BUILT FOR MODELS 926 THROUGH 1125 ONLY
 MODEL TYPE: H4 - 03-01-87 THROUGH CURRENT
 MODEL TYPE: W3 - 01-01-99 THROUGH CURRENT
 MODEL TYPE: WH1, WH2, WH3 - 01-01-01 THROUGH CURRENT
 MODEL TYPE: NH & RH - 01-01-01 THROUGH 1-1-05
 MODEL TYPE: N & R - 09-01-82 THROUGH 12-31-01

THE PARTS LISTED ARE FOR STANDARD EQUIPMENT FOR THIS MODEL TYPE. RAYPAK RESERVES THE RIGHT TO SUBSTITUTE, DELETE OR CHANGE ANY PART WITHOUT NOTIFICATION. THE ADDITION OF OPTIONS MAY ALSO CHANGE SOME OF THE PARTS. ORDER REPLACEMENT PARTS FROM ACTUAL HEATER COMPONENTS.



MODEL TYPE DESIGNATION-NEW MODEL TYPES* VS OLD MODEL TYPES.

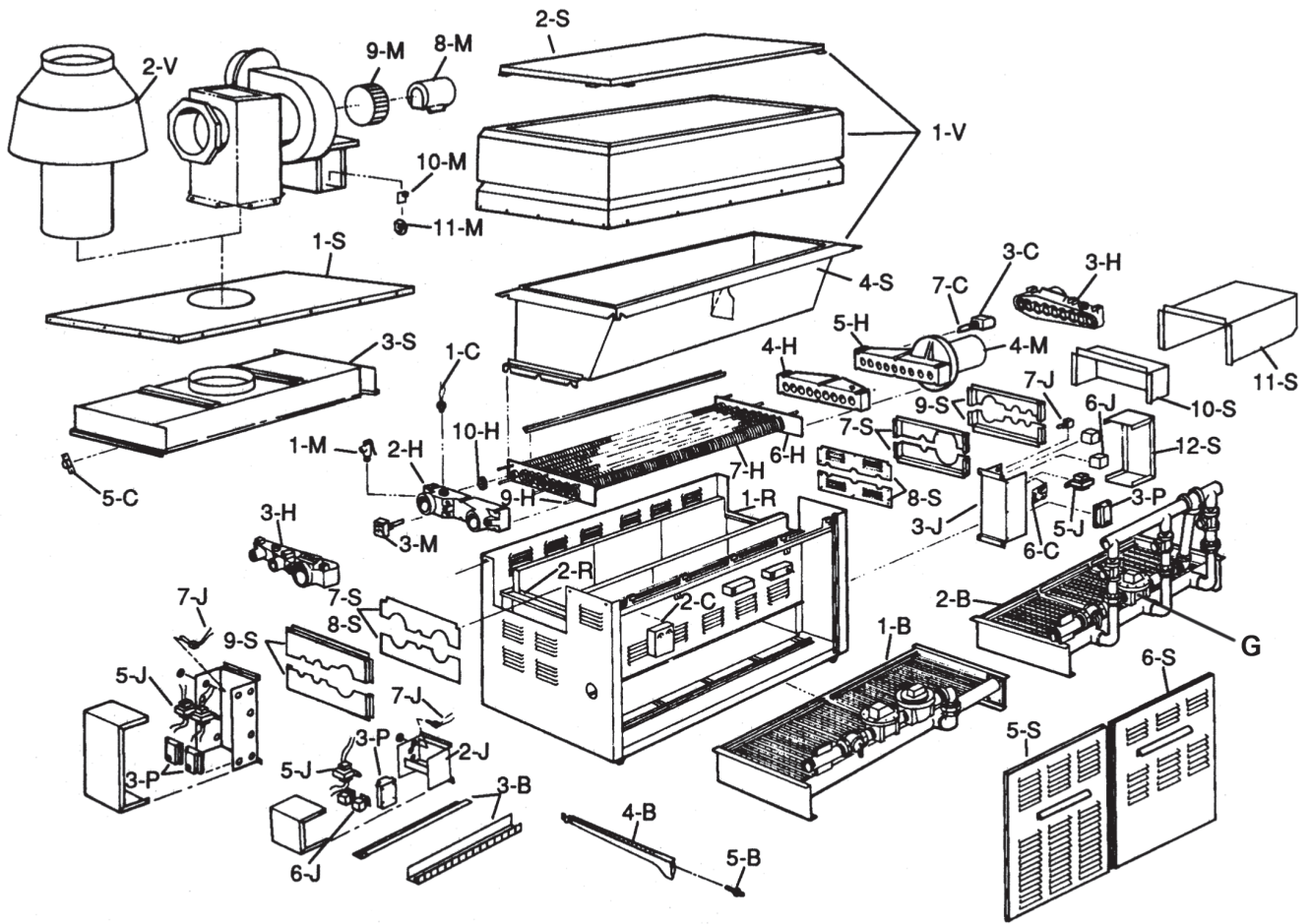
NEW	OLD	NEW	OLD
H1	T	H6	Tx
H2	Ta	W1	WT
H3	Tb	W2	THWS
H4	Tc (Released 3-1-87)	N	TIP
H5	Td	R	TIPR

*Sub-Numbers used to distinguish between numerous old models types with condensed new model types only.

FOR DETAILED INSTRUCTIONS, SEE "HOW TO USE YOUR RAYPAK ILLUSTRATED PARTS LIST", CATALOG NO. 9001.10



Raypak, Inc., 2151 Eastman Avenue, Oxnard, CA 93030
 (805) 278-5300 FAX (805) 278-5489
 Litho In U.S.A.
 P/N 240468



HONEYWELL IID PILOT

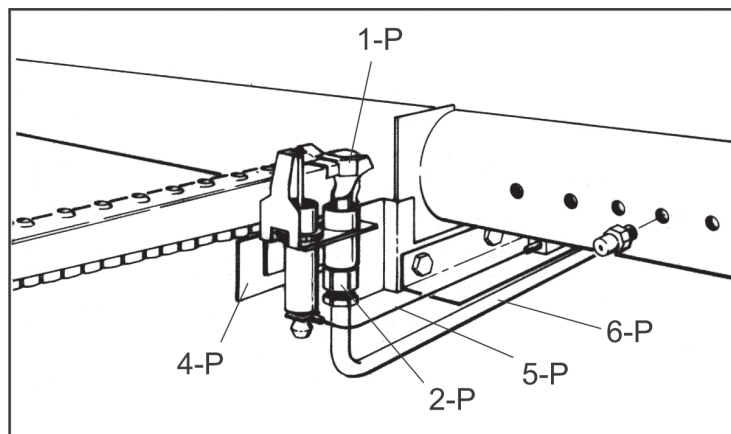


FIG # 9293

CALL OUT	DESCRIPTION	962 [926]	1125 [1083]	1223 [1178]	1336 [1287]	1468 [1414]	1631 [1571]	1826 [1758]
B	BURNER TRAY**							
1-B	Burner Tray w/Burners (Sea Level)*	002092F	002093F	002094F	002095F	002096F	002097F	002098F
	Burner Tray w/o Burners (Sea Level)*	002099F	002100F	002101F	002102F	002103F	002104F	002105F
2-B	Burner Tray w/Burners (Sea Level)* HW	002106F	002107F	002108F	002109F	002110F	002111F	002112F
	Burner Tray w/o Burner (Sea Level)* HW	002113F	002114F	002115F	002116F	002117F	002118F	002119F
	Burner Tray w/Burners (Sea Level)* RS	005605F	005606F	005607F	005608F	005609F	005610F	005611F
	Burner Tray w/o Burners (Sea Level)* RS	005612F	005613F	005614F	005615F	005616F	005617F	005618F
3-B	Burner Spacer/Holddown (Single)	002120F	002121F	002122F	002123F	002124F	002125F	002126F
	Burner Spacer/Holddown (Double) HW	002127F	002128F	002129F	002130F	002131F	002132F	002133F
	Burner Spacer/Holddown (Double) RS	002120F	002121F	002122F	002123F	005623F	005624F	005625F
4-B	Burner	301210/59	301210/69	301210/75	301210/82	301210/90	301210/100	301210/112
5-B	Burner Orifice Nat.#49 Outdoor (Sea Level)*	350078F/59	350078F/69	350078F/75	350078F/82	350078F/90	350078F/100	350078F/112
	Burner Orifice Nat.#48 Indoor (Sea Level)*	350077F/59	350077F/69	350077F/75	350077F/82	350077F/90	350077F/100	350077F/112
	Burner Orifice Pro.#57 (Sea Level)*	350083F/59	350083F/69	350083F/75	350083F/82	350083F/90	350083F/100	350083F/112
C	CONTROLS							
1-C	Auto Reset Fixed High Limit 240°F	008554F	008554F	008554F	008554F	008554F	008554F	008554F
2-C	Manual Reset Adjustable High Limit 240°F Max	007144F	007144F	007144F	007144F	007144F	007144F	007144F
	Manual Reset Adjustable High Limit 200°F Max	008081F	008081F	008081F	008081F	008081F	008081F	008081F
	Auto Reset Dualstat	004092F	004092F	004092F	004092F	004092F	004092F	004092F
	Manual Reset Dualstat	004092F	004092F	004092F	004092F	004092F	004092F	004092F
	Auto Reset Adjustable High Limit 240°F Max	007141F	007141F	007141F	007141F	007141F	007141F	007141F
	Auto Reset Adjustable High Limit 200°F Max	012546F	012546F	012546F	012546F	012546F	012546F	012546F
	Auto Reset Adjustable High Limit 180°F Max	006445F	006445F	006445F	006445F	006445F	006445F	006445F
	Controller Modulating (H2)	N/A	N/A	N/A	N/A	N/A	N/A	N/A
	Controller 2-Stage (H3)	007392F	007392F	007392F	007392F	007392F	007392F	007392F
	Controller 2-Stage (W3) WH	006760F	006760F	006760F	006760F	006760F	006760F	006760F
	Controller 4-Stage (W3) WH	006759F	006759F	006759F	006759F	006759F	006759F	006759F
	Controller B3 (H6) Aquatrol	601036F	601036F	601036F	601036F	601036F	601036F	601036F
	Controller B5 (H6)	N/A	N/A	N/A	N/A	N/A	N/A	N/A
	Controller Modulating (B-40/B-41 Digital)	013293F	013293F	013293F	013293F	013293F	013293F	013293F
3-C	Flow Switch	007142F	007142F	007142F	007142F	007142F	007142F	007142F
4-C	Low Water Cutoff (Not Shown)	006202F	006202F	006202F	006202F	006202F	006202F	006202F
5-C	Thermostat Economaster	003609F	003609F	003609F	003609F	003609F	003609F	003609F
6-C	Economaster II Control	004675F	004675F	004675F	004675F	004675F	004675F	004675F
7-C	Flow Switch Paddle (McDonnell Miller)	004079F	004079F	004079F	004079F	004079F	004079F	004079F
	Flow Switch Paddle (Taco)	010026F	010026F	010026F	010026F	010026F	010026F	010026F
G	GAS VALVES	(SEE GAS VALVE REPLACEMENT CHART)						
H	HEAT EXCHANGER							
1-H	Heat Exch Assy. Cast Iron	002134F	002135F	002136F	002137F	002138F	002139F	002140F
	Heat Exch Assy Brass	002141F	002142F	002143F	002144F	002145F	002146F	002147F
	Heat Exch Assy Cast Iron w/Pump Hdr	002148F	002149F	002150F	002151F	002152F	002153F	002154F
	Heat Exch Assy Brass w/Pump Hdr	002155F	002156F	002157F	002158F	002159F	002160F	002161F
	Heat Exch Assy Cast Iron w/Pump Hdr (N)	002166F	002167F	002168F	002169F	002170F	002171F	002172F
	Heat Exch Assy Brass w/Pump Hdr (N)	002173F	002174F	002175F	002176F	002177F	002178F	002179F
	Heat Exch Assy Cast Iron w/Pump Hdr (R)	002162F	002163F					
	Heat Exch Assy Brass w/Pump Hdr (R)	002164F	002165F					
	Heat Exch Assy Cast Iron Cupro Nickel	002180F	002181F	002182F	002183F	002184F	002185F	002186F
	Heat Exch Assy Brass Cupro Nickel	012349F	012350F	012351F	002485F	002486F	002487F	002488F
	Heat Exch Assy Brass Cupro Nickel w/Pump (N)	002726F	002727F	002728F	002729F	002730F	002731F	002732F
	Heat Exch Assy Cast Iron One Pass (N)	003494F	003495F	003496F	003497F	003498F	003499F	003500F
2-H	Inlet/Outlet Header Cast Iron	002215F	002215F	002215F	002215F	002215F	002215F	002215F
	Inlet/Outlet Header Brass	002216F	002216F	002216F	002216F	002216F	002216F	002216F
	Inlet/Outlet Hader Cast Iron (N)	002217F	002217F	002217F	002217F	002217F	002217F	002217F
	Inlet/Outlet Header Brass (N)	002218F	002218F	002218F	002218F	002218F	002218F	002218F
	Inlet/Outlet Header Cast (R)	002219F	002219F					
	Inlet/Outlet Header Brass (R)	002220F	002220F					
3-H	Inlet/Outlet Header Cast Iron One Pass	003493F	003493F	003493F	003493F	003493F	003493F	003493F
4-H	Return Header Cast Iron	002221F	002221F	002221F	002221F	002221F	002221F	002221F
	Return Header Brass	002222F	002222F	002222F	002222F	002222F	002222F	002222F
5-H	Return Pump Header Cast Iron	002223F	002223F	002223F	002223F	002223F	002223F	002223F
	Return Pump Header Brass	002224F	002224F	002224F	002224F	002224F	002224F	002224F
6-H	Tube Bundle	002187F	002188F	002189F	002190F	002191F	002192F	002193F
	Tube Bundle Cupro Nickel (N)	002194F	002195F	002196F	002197F	002198F	002199F	002200F
7-H	Heat Exchange Tube	002201F	002202F	002203F	002204F	002205F	002206F	002207F
	Heat Exchange Tube Cupro Nickel	002208F	002209F	002210F	002211F	002212F	002213F	002214F
8-H	Baffle Kit	001520F	001521F	001522F	001523F	001524F	001525F	001526F
9-H	Stud Bolt Kit	001051F	001051F	001051F	001051F	001051F	001051F	001051F
	Stud Bolt Kit w/Pump Header	001527F	001527F	001527F	001527F	001527F	001527F	001527F
	Stud Bolt Kit One Pass Header	003492F	003492F	003492F	003492F	003492F	003492F	003492F
10-H	Header Gasket	800001B	800001B	800001B	800001B	800001B	800001B	800001B
11-H	Sensor Well	007211F	007211F	007211F	007211F	007211F	007211F	007211F
12-H	Well Retaining Clip	300203	300203	300203	300203	300203	300203	300203

*FOR ALTITUDES ABOVE 2,000 FEET ABOVE SEA LEVEL CONSULT THE FACTORY.

**REPLACEMENT BURNER TRAYS ARE BUILT FOR SEA LEVEL, NATURAL GAS APPLICATIONS UNLESS OTHERWISE SPECIFIED AT THE TIME THE ORDER IS PLACED.

HW - HONEYWELL
RS - ROBERTSHAW

CALL OUT	DESCRIPTION	962 [926]	1125 [1083]	1223 [1178]	1336 [1287]	1468 [1414]	1631 [1571]	1826 [1758]
J	J BOX							
1-J	J Box Nat IID (H1, H5, WH, W2, N, R)	002747F	002747F	002747F	002747F	002747F	002747F	002747F
	J Box Pro IID Lockout (H1, H5, WH, W2, N, R)	002751F	002751F	002751F	002751F	002751F	002751F	002751F
2-J	J Box Nat IID (H2, H6)	002409F	002409F	002409F	002409F	002409F	002409F	002409F
	J Box Nat IID (H3, WH, W1)	002749F	002749F	002749F	002749F	002749F	002749F	002749F
	J Box Pro IID Lockout (H2, H6)	002229F	002229F	002229F	002229F	002229F	002229F	002229F
3-J	J Box Pro IID Lockout (H3, WH, W1)	002230F	002230F	002230F	002230F	002230F	002230F	002230F
	J Box Nat IID (H1, H5, WH, W2, N & R) HW	002225F	002225F	002225F	002225F	002225F	002225F	002225F
	J Box Nat IID Robertshaw (N & R)	002227F	002227F	002227F	002227F	002227F	002227F	002227F
	J Box Nat IID/TTD (H1, H5 & W2, WH) HW	004811F	004811F	004811F	004811F	004811F	004811F	004811F
	J Box Nat IID/ TTD Robertshaw (H1, H5, W2, WH)	004812F	004812F	004812F	004812F	004811F	004811F	004811F
	J Box Pro IID Lockout (H1,H5,W2, WH, N & R) HW	002228F	002228F	002228F	002228F	002228F	002228F	002228F
	J Box Pro IID/Lock Robertshaw (N & R)	002230F	002230F	002230F	002230F	002228F	002228F	002228F
	J Box Pro IID/TTD Lockout (H1, H5 & W2, WH)	004813F	004813F	004813F	004813F	004813F	004813F	004813F
	J Box Pro IID TTD Robertshaw (H1, H5, W2, WH)	004814F	004814F	004814F	004814F	004813F	004813F	004813F
	J Box Nat IID (H3, H4, W1, WH)	002227F	002227F	002227F	002227F	002227F	002227F	002227F
	J Box Nat IID/TTD (H3, H4 & W1, WH)	004812F	004812F	004812F	004812F	004812F	004812F	004812F
	J Box IID/TTD Lockout (W3, WH)	006653F	006653F	006653F	006653F	006653F	006653F	006653F
	J Box Pro IID Lockout (H3, H4, W1, WH)	002230F	002230F	002230F	002230F	002230F	002230F	002230F
	J Box Pro IID/TTD Lockout (H3, H4, W1, WH)	004814F	004814F	004814F	004814F	004814F	004814F	004814F
	J Box Nat IID (H2, H6 W/B3 or B5)	002409F	002409F	002409F	002409F	002409F	002409F	002409F
	J Box Pro IID Lockout (H2, H6 W/B3 or B5)	002229F	002229F	002229F	002229F	002229F	002229F	002229F
4-J	J Box C2 Nat (H1, W2, WH)	N/A	N/A	N/A	N/A	N/A	N/A	N/A
	J Box C2 Nat Robertshaw (H1, WH, W2)	N/A	N/A	N/A	N/A	N/A	N/A	N/A
	J Box C2 Nat(H2,H3,H4,H6 w/B3 or B5,W1, WH)	N/A	N/A	N/A	N/A	N/A	N/A	N/A
	J Box C2 Nat (H6 for B6000)	N/A	N/A	N/A	N/A	N/A	N/A	N/A
	J Box IRI Nat	N/A	N/A	N/A	N/A	N/A	N/A	N/A
	J Box IRI/TTD Nat (H2, W1, WH)	N/A	N/A	N/A	N/A	N/A	N/A	N/A
	J Box IRI/TTD Nat (H3)	N/A	N/A	N/A	N/A	N/A	N/A	N/A
	J Box IRI/TTD (W3, WH)	N/A	N/A	N/A	N/A	N/A	N/A	N/A
	J Box IRI Nat (H6 for B6000)	N/A	N/A	N/A	N/A	N/A	N/A	N/A
	J Box IRI Nat (N & R with Mech Mod Valve)	N/A	N/A	N/A	N/A	N/A	N/A	N/A
	J Box IRI Nat Robertshaw (N & R)	N/A	N/A	N/A	N/A	N/A	N/A	N/A
5-J	Transformer 40 VA	006533F	006533F	006533F	006533F	006533F	006533F	006533F
	Transformer 50 VA	006533F	006533F	006533F	006533F	006533F	006533F	006533F
	Transformer 100 VA	N/A	N/A	N/A	N/A	007373F	007373F	007373F
	Spark Generator C2 & IRI (Not Shown)	007361F	007361F	007361F	007361F	007361F	007361F	007361F
6-J	Relay SPST 24V NO	007377F	007377F	007377F	007377F	007377F	007377F	007377F
	Relay DPDT 24V	008090F	008090F	008090F	008090F	008090F	008090F	008090F
	Relay SPST 120V	008145F	008145F	008145F	008145F	008145F	008145F	008145F
	Relay DPDT 120V	013243F	013243F	013243F	013243F	013243F	013243F	013243F
	Relay SPDT C2 (Not Shown)	650117	650117	650117	650117	650117	650117	650117
	Relay DPDT IRI (Not Shown)	N/A	N/A	N/A	N/A	N/A	N/A	N/A
7-J	Toggle Switch	008079F	008079F	008079F	008079F	008079F	008079F	008079F
M	MISCELLANEOUS							
1-M	PRV 30 PSI	007218F	007218F	007748F	007748F	007748F	007748F	007748F
	PRV 45 PSI	007346F	007221F	007221F	007221F	007221F	007751F	007751F
	PRV 60 PSI	007222F	007222F	007222F	007222F	007753F	007753F	007753F
	PRV 125 PSI	007224F	007224F	007224F	007224F	007224F	007224F	007224F
	PRV 125 PSI (WH & NH)	007224F	007224F	007224F	007224F	007224F	007224F	007758F
2-M	Deliming Kit	052870F	052870F	052870F	052870F	052870F	052870F	052870F
3-M	T & P Gauge 0-90 PSI	007205F	007205F	007205F	007205F	007205F	007205F	007205F
	T & P Gauge 0-200 PSI	007399F	007399F	007399F	007399F	007399F	007399F	007399F
4-M	Integral Pump 4-1/4 Impeller*	004844F	004844F	004844F	004844F	004844F	004844F	004844F
	Integral Pump 4.7 Impeller*	004845F	004845F	004845F	004845F	004845F	004845F	004845F
5-M	Mixing Valve (R)	N/A	N/A	N/A	N/A	N/A	N/A	N/A
6-M	Thermometer (R)	600133	600133					
7-M	Tank T & P Gauge (R)	500569	500569					
8-M	Power Vent Motor	951105F	951105F	951105F	951112F	951112F	951112F	951112F
9-M	Power Vent Wheel	951106F	951106F	951106F	951113F	951113F	951113F	951113F
10-M	Power Vent PC Board	005503F	005503F	005503F	005503F	005503F	005503F	005503F
11-M	Power Vent Pressure Switch	601212	601212	601212	601212	601212	601212	601212
12-M	Touch-up Paint							
	Green	750125	750125	750125	750125	750125	750125	750125
	Dark Gray	750126	750126	750126	750126	750126	750126	750126
	Cool Dark Gray	750256	750256	750256	750256	750256	750256	750256
R	REFRACTORY							
1-R	Refractory Kit	001002F	001003F	001004F	001005F	001006F	001511F	001512F
2-R	Refractory Retainer Kit	000987F	000988F	000989F	000990F	000991F	001518F	001519F

* For individual pump parts see separate pump parts IPL 9300.100

CALL OUT	DESCRIPTION	962 [926]	1125 [1083]	1223 [1178]	1336 [1287]	1468 [1414]	1631 [1571]	1826 [1758]
P	PILOT							
1-P	Pilot Nat. IID	002234F	002234F	002234F	002234F	002234F	002234F	002234F
	Pilot Pro. IID	002235F	002235F	002235F	002235F	002235F	002235F	002235F
	Pilot Nat. C2 & IRI	002236F	002236F	002236F	002236F	002236F	002236F	002236F
2-P	Pilot Orifice Nat. IID	600552	600552	600552	600552	600552	600552	600552
	Pilot Orifice Pro. IID	600894	600894	600894	600894	600894	600894	600894
	Pilot Orifice C2 & IRI	600552	600552	600552	600552	600552	600552	600552
3-P	Ignition Control Nat. IID	004817B	004817B	004817B	004817B	004817B	004817B	004817B
	Ignition Control Pro. IID/Lockout	004818B	004818B	004818B	004818B	004818B	004818B	004818B
	Ignition Control C2A, IRI, G13	007359F	007359F	007359F	007359F	007359F	007359F	007359F
	Ignition Control C2A, IRI, G13 (Complete)	008702F	008702F	008702F	008702F	008702F	008702F	008702F
	Base Ignition Control	008701F	008701F	008701F	008701F	008701F	008701F	008701F
8-P	Remote Keyboard Display Module C2A (Not Shown)	015399F	015399F	015399F	015399F	015399F	015399F	015399F
4-P	Pilot Mounting Bracket	004728F	004728F	004728F	004728F	004728F	004728F	004728F
5-P	Ignitor Wire IID	016514F	016514F	016514F	016514F	016514F	016514F	016514F
6-P	Pilot Tube	400013	400013	400013	400013	400013	400013	400013
7-P	Hi Tension Wire	002663B	002663B	002663B	002663B	002663B	002663B	002663B
	Amplifier Flame Rectification C2A	008092F	008092F	008092F	008092F	008092F	008092F	008092F
S	SHEETMETAL							
1-S	Jacket top Indoor	002293F	002294F	002295F	002296F	002297F	002298F	002299F
2-S	Flat Top Assy Outdoor	002312F	002313F	002314F	002315F	002316F	002317F	002318F
3-S	Flue Collector Indoor	002248F	002244F	002249F	002250F	002251F	002252F	002253F
4-S	Flue Collector Outdoor	002258F	002259F	002260F	002261F	002262F	002263F	002264F
5-S	Door Assy Left Indoor	002265F	002266F	002267F	002268F	002269F	002270F	002271F
	Door Assy Left Outdoor	002279F	002280F	002281F	002282F	002283F	002284F	002285F
	Door Assy w/Side Latch Indoor #	005337F	005338F	005339F	005340F	005341F	005342F	005343F
6-S	Door Assy Right Indoor	002272F	002273F	002274F	002275F	002276F	002277F	002278F
	Door Assy Right Outdoor	002286F	002287F	002288F	002289F	002290F	002291F	002292F
	Door Assy w/Side Latch Outdoor #	005330F	005331F	005332F	005333F	005334F	005335F	005336F
7-S	Access Panel Group 2" w/Pump	002302F	002302F	002302F	002302F	002302F	002302F	002302F
8-S	Access Panel Group 2 1/2" w/Pump	002304F	002304F	002304F	002304F	002304F	002304F	002304F
	Access Panel Group 2 1/2"	002303F	002303F	002303F	002303F	002303F	002303F	002303F
9-S	Access Panel Group 3"	003539F	003539F	003539F	003539F	003539F	003539F	003539F
10-S	Control Cover	002672F	002672F	002672F	002672F	002672F	002672F	002672F
11-S	Pump Cover	002671F	002671F	002671F	002671F	002671F	002671F	002671F
12-S	J Box Sheetmetal	002668F	002668F	002668F	002668F	002668F	002668F	002668F
	J Box Sheetmetal C2A	002237F	002237F	002237F	002237F	002237F	002237F	002237F
13-S	Combustible Floor Shield (Not Shown)	003631	003632	003633	003634	003635	003636	003637
14-S	Low Water Cut Off Control Cover	016629F	016629F	016629F	016629F	016629F	016629F	016629F
V	VENTING							
1-V	Stackless Top Kit (Outdoor)	002305F	002306F	002307F	002308F	002309F	002310F	002311F
2-V	Draft Hood (Indoor)	006484	006485	006485	006486	006486	006486	006487

Door Manufactured From 1995 To Current

CALL OUT	DESCRIPTION	962 [926]	1125 [1083]	1223 [1178]	1336 [1287]	1468 [1414]	1631 [1571]	1826 [1758]
B	BURNER TRAY**							
1-B	Burner Tray w/Burners (Sea Level)*	002092F	002093F	002094F	002095F	002096F	002097F	002098F
	Burner Tray w/o Burners (Sea Level)*	002099F	002100F	002101F	002102F	002103F	002104F	002105F
2-B	Burner Tray w/Burners (Sea Level)* HW	002106F	002107F	002108F	002109F	002110F	002111F	002112F
	Burner Tray w/o Burner (Sea Level)* HW	002113F	002114F	002115F	002116F	002117F	002118F	002119F
	Burner Tray w/Burners (Sea Level)* RS	005605F	005606F	005607F	005608F	005609F	005610F	005611F
	Burner Tray w/o Burners (Sea level)* RS	005612F	005613F	005614F	005615F	005616F	005617F	005618F
3-B	Burner Spacer/Holddown (Single)	002120F	002121F	002122F	002123F	002124F	002125F	002126F
	Burner Spacer/Holddown (Double) HW	002127F	002128F	002129F	002130F	002131F	002132F	002133F
	Burner Spacer/Holddown (Double) RS	002120F	002121F	002122F	002123F	005623F	005624F	005625F
4-B	Burner	301210/59	301210/69	301210/75	301210/82	301210/90	301210/100	301210/112
5-B	Burner Orifice Nat.#49 Outdoor (Sea Level)*	350078F/59	350078F/69	350078F/75	350078F/82	350078F/90	350078F/100	350078F/112
	Burner Orifice Nat.#48 Indoor (Sea Level)*	350077F/59	350077F/69	350077F/75	350077F/82	350077F/90	350077F/100	350077F/112
	Burner Orifice Pro.#57 (Sea Level)*	350083F/59	350083F/69	350083F/75	350083F/82	350083F/90	350083F/100	350083F/112
C	CONTROLS							
1-C	Auto Reset Fixed High Limit 240°F	008554F	008554F	008554F	008554F	008554F	008554F	008554F
2-C	Manual Reset Adjustable High Limit 240°F Max	007144F	007144F	007144F	007144F	007144F	007144F	007144F
	Manual Reset Adjustable High Limit 200°F Max	008081F	008081F	008081F	008081F	008081F	008081F	008081F
	Auto Reset Dualstat	004092F	004092F	004092F	004092F	004092F	004092F	004092F
	Manual Reset Dualstat	004092F	004092F	004092F	004092F	004092F	004092F	004092F
	Auto Reset Adjustable High Limit 240°F Max	007141F	007141F	007141F	007141F	007141F	007141F	007141F
	Auto Reset Adjustable High Limit 200°F Max	012546F	012546F	012546F	012546F	012546F	012546F	012546F
	Auto Reset Adjustable High Limit 180°F Max	006445F	006445F	006445F	006445F	006445F	006445F	006445F
	Controller Modulating (H2)	N/A	N/A	N/A	N/A	N/A	N/A	N/A
	Controller 2-Stage (H3)	007392F	007392F	007392F	007392F	007392F	007392F	007392F
	Controller 2-Stage (W3) WH	006760F	006760F	006760F	006760F	006760F	006760F	006760F
	Controller 4-Stage (W3) WH	006759F	006759F	006759F	006759F	006759F	006759F	006759F
	Controller B3 (H6) Aquatrol	601036F	601036F	601036F	601036F	601036F	601036F	601036F
	Controller B5 (H6)	N/A	N/A	N/A	N/A	N/A	N/A	N/A
	Controller Modulating (B-40/B-41 Digital)	013293F	013293F	013293F	013293F	013293F	013293F	013293F
3-C	Flow Switch	007142F	007142F	007142F	007142F	007142F	007142F	007142F
4-C	Low Water Cutoff (Not Shown)	006202F	006202F	006202F	006202F	006202F	006202F	006202F
5-C	Thermostat Economaster	003609F	003609F	003609F	003609F	003609F	003609F	003609F
6-C	Economaster II Control	004675F	004675F	004675F	004675F	004675F	004675F	004675F
7-C	Flow Switch Paddle (McDonnell Miller)	004079F	004079F	004079F	004079F	004079F	004079F	004079F
	Flow Switch Paddle (Taco)	010026F	010026F	010026F	010026F	010026F	010026F	010026F
G	GAS VALVES							
		(SEE GAS VALVE REPLACEMENT CHART)						
H	HEAT EXCHANGER							
1-H	Heat Exch Assy. Cast Iron	002134F	002135F	002136F	002137F	002138F	002139F	002140F
	Heat Exch Assy Brass	002141F	002142F	002143F	002144F	002145F	002146F	002147F
	Heat Exch Assy Cast Iron w/Pump Hdr	002148F	002149F	002150F	002151F	002152F	002153F	002154F
	Heat Exch Assy Brass w/Pump Hdr	002155F	002156F	002157F	002158F	002159F	002160F	002161F
	Heat Exch Assy Cast Iron w/Pump Hdr (N)	002166F	002167F	002168F	002169F	002170F	002171F	002172F
	Heat Exch Assy Brass w/Pump Hdr (N)	002173F	002174F	002175F	002176F	002177F	002178F	002179F
	Heat Exch Assy Cast Iron w/Pump Hdr (R)	002162F	002163F					
	Heat Exch Assy Brass w/Pump Hdr (R)	002164F	002165F					
	Heat Exch Assy Cast Iron Cupro Nickel	002180F		002182F	002183F	002184F	002185F	002186F
	Heat Exch Assy Brass Cupro Nickel	012349F	012350F	012351F	002485F	002486F	002487F	002488F
	Heat Exch Assy Brass Cupro Nickel w/Pump (N)	002726F	002727F	002728F	002729F	002730F	002731F	002732F
	Heat Exch Assy Cast Iron One Pass (N)	003494F	003495F	003496F	003497F	003498F	003499F	003500F
2-H	Inlet/Outlet Header Cast Iron	002215F	002215F	002215F	002215F	002215F	002215F	002215F
	Inlet/Outlet Header Brass	002216F	002216F	002216F	002216F	002216F	002216F	002216F
	Inlet/Outlet Header Cast Iron (N)	002217F	002217F	002217F	002217F	002217F	002217F	002217F
	Inlet/Outlet Header Brass (N)	002218F	002218F	002218F	002218F	002218F	002218F	002218F
	Inlet/Outlet Header Cast (R)	002219F	002219F					
	Inlet/Outlet Header Brass (R)	002220F	002220F					
3-H	Inlet/Outlet Header Cast Iron One Pass	003493F	003493F	003493F	003493F	003493F	003493F	003493F
4-H	Return Header Cast Iron	002221F	002221F	002221F	002221F	002221F	002221F	002221F
	Return Header Brass	002222F	002222F	002222F	002222F	002222F	002222F	002222F
5-H	Return Pump Header Cast Iron	002223F	002223F	002223F	002223F	002223F	002223F	002223F
	Return Pump Header Brass	002224F	002224F	002224F	002224F	002224F	002224F	002224F
6-H	Tube Bundle	002187F	002188F	002189F	002190F	002191F	002192F	002193F
	Tube Bundle Cupro Nickel (N)	002194F	002195F	002196F	002197F	002198F	002199F	002200F
7-H	Heat Exchange Tube	002201F	002202F	002203F	002204F	002205F	002206F	002207F
	Heat Exchange Tube Cupro Nickel	002208F	002209F	002210F	002211F	002212F	002213F	002214F
8-H	Baffle Kit	001520F	001521F	001522F	001523F	001524F	001525F	001526F
9-H	Stud Bolt Kit	001051F	001051F	001051F	001051F	001051F	001051F	001051F
	Stud Bolt Kit w/Pump Header	001527F	001527F	001527F	001527F	001527F	001527F	001527F
	Stud Bolt Kit One Pass Header	003492F	003492F	003492F	003492F	003492F	003492F	003492F
10-H	Header Gasket	800001B	800001B	800001B	800001B	800001B	800001B	800001B
11-H	Sensor Well	007211F	007211F	007211F	007211F	007211F	007211F	007211F
12-H	Well Retaining Clip	300203	300203	300203	300203	300203	300203	300203

*FOR ALTITUDES ABOVE 2,000 FEET ABOVE SEA LEVEL CONSULT THE FACTORY.

**REPLACEMENT BURNER TRAYS ARE BUILT FOR SEA LEVEL, NATURAL GAS APPLICATIONS UNLESS OTHERWISE SPECIFIED AT THE TIME THE ORDER IS PLACED.

HW - HONEYWELL

RS - ROBERTSHAW

CALL OUT	DESCRIPTION	962 [926]	1125 [1083]	1223 [1178]	1336 [1287]	1468 [1414]	1631 [1571]	1826 [1758]
B	BURNER TRAY**							
1-B	Burner Tray w/Burners (Sea Level)*	002092F	002093F	002094F	002095F	002096F	002097F	002098F
	Burner Tray w/o Burners (Sea Level)*	002099F	002100F	002101F	002102F	002103F	002104F	002105F
2-B	Burner Tray w/Burners (Sea Level)* HW	002106F	002107F	002108F	002109F	002110F	002111F	002112F
	Burner Tray w/o Burner (Sea Level)* HW	002113F	002114F	002115F	002116F	002117F	002118F	002119F
	Burner Tray w/Burners (Sea Level)* RS	005605F	005606F	005607F	005608F	005609F	005610F	005611F
	Burner Tray w/o Burners (Sea Level)* RS	005612F	005613F	005614F	005615F	005616F	005617F	005618F
3-B	Burner Spacer/Holddown (Single)	002120F	002121F	002122F	002123F	002124F	002125F	002126F
	Burner Spacer/Holddown (Double) HW	002127F	002128F	002129F	002130F	002131F	002132F	002133F
	Burner Spacer/Holddown (Double) RS	002120F	002121F	002122F	002123F	005623F	005624F	005625F
4-B	Burner	301210/59	301210/69	301210/75	301210/82	301210/90	301210/100	301210/112
5-B	Burner Orifice Nat.#49 Outdoor (Sea Level)*	350078F/59	350078F/69	350078F/75	350078F/82	350078F/90	350078F/100	350078F/112
	Burner Orifice Nat.#48 Indoor (Sea Level)*	350077F/59	350077F/69	350077F/75	350077F/82	350077F/90	350077F/100	350077F/112
	Burner Orifice Pro.#57 (Sea Level)*	350083F/59	350083F/69	350083F/75	350083F/82	350083F/90	350083F/100	350083F/112
C	CONTROLS							
1-C	Auto Reset Fixed High Limit 240°F	008554F	008554F	008554F	008554F	008554F	008554F	008554F
2-C	Manual Reset Adjustable High Limit 240°F Max	007144F	007144F	007144F	007144F	007144F	007144F	007144F
	Manual Reset Adjustable High Limit 200°F Max	008081F	008081F	008081F	008081F	008081F	008081F	008081F
	Auto Reset Dualstat	004092F	004092F	004092F	004092F	004092F	004092F	004092F
	Manual Reset Dualstat	004092F	004092F	004092F	004092F	004092F	004092F	004092F
	Auto Reset Adjustable High Limit 240°F Max	007141F	007141F	007141F	007141F	007141F	007141F	007141F
	Auto Reset Adjustable High Limit 200°F Max	012546F	012546F	012546F	012546F	012546F	012546F	012546F
	Auto Reset Adjustable High Limit 180°F Max	006445F	006445F	006445F	006445F	006445F	006445F	006445F
	Controller Modulating (H2)	N/A	N/A	N/A	N/A	N/A	N/A	N/A
	Controller 2-Stage (H3)	007392F	007392F	007392F	007392F	007392F	007392F	007392F
	Controller 2-Stage (W3) WH	006760F	006760F	006760F	006760F	006760F	006760F	006760F
	Controller 4-Stage (W3) WH	006759F	006759F	006759F	006759F	006759F	006759F	006759F
	Controller B3 (H6) Aquatrol	601036F	601036F	601036F	601036F	601036F	601036F	601036F
	Controller B5 (H6)	N/A	N/A	N/A	N/A	N/A	N/A	N/A
	Controller Modulating (B-40/B-41 Digital)	013293F	013293F	013293F	013293F	013293F	013293F	013293F
3-C	Flow Switch	007142F	007142F	007142F	007142F	007142F	007142F	007142F
4-C	Low Water Cutoff (Not Shown)	006202F	006202F	006202F	006202F	006202F	006202F	006202F
5-C	Thermostat Economaster	003609F	003609F	003609F	003609F	003609F	003609F	003609F
6-C	Economaster II Control	004675F	004675F	004675F	004675F	004675F	004675F	004675F
7-C	Flow Switch Paddle (McDonnell Miller)	004079F	004079F	004079F	004079F	004079F	004079F	004079F
	Flow Switch Paddle (Taco)	010026F	010026F	010026F	010026F	010026F	010026F	010026F
G	GAS VALVES	(SEE GAS VALVE REPLACEMENT CHART)						
H	HEAT EXCHANGER							
1-H	Heat Exch Assy. Cast Iron	002134F	002135F	002136F	002137F	002138F	002139F	002140F
	Heat Exch Assy Brass	002141F	002142F	002143F	002144F	002145F	002146F	002147F
	Heat Exch Assy Cast Iron w/Pump Hdr	002148F	002149F	002150F	002151F	002152F	002153F	002154F
	Heat Exch Assy Brass w/Pump Hdr	002155F	002156F	002157F	002158F	002159F	002160F	002161F
	Heat Exch Assy Cast Iron w/Pump Hdr (N)	002166F	002167F	002168F	002169F	002170F	002171F	002172F
	Heat Exch Assy Brass w/Pump Hdr (N)	002173F	002174F	002175F	002176F	002177F	002178F	002179F
	Heat Exch Assy Cast Iron w/Pump Hdr (R)	002162F	002163F					
	Heat Exch Assy Brass w/Pump Hdr (R)	002164F	002165F					
	Heat Exch Assy Cast Iron Cupro Nickel	002180F	002181F	002182F	002183F	002184F	002185F	002186F
	Heat Exch Assy Brass Cupro Nickel	012349F	012350F	012351F	002485F	002486F	002487F	002488F
	Heat Exch Assy Brass Cupro Nickel w/Pump (N)	002726F	002727F	002728F	002729F	002730F	002731F	002732F
	Heat Exch Assy Cast Iron One Pass (N)	003494F	003495F	003496F	003497F	003498F	003499F	003500F
2-H	Inlet/Outlet Header Cast Iron	002215F	002215F	002215F	002215F	002215F	002215F	002215F
	Inlet/Outlet Header Brass	002216F	002216F	002216F	002216F	002216F	002216F	002216F
	Inlet/Outlet Hader Cast Iron (N)	002217F	002217F	002217F	002217F	002217F	002217F	002217F
	Inlet/Outlet Header Brass (N)	002218F	002218F	002218F	002218F	002218F	002218F	002218F
	Inlet/Outlet Header Cast (R)	002219F	002219F					
	Inlet/Outlet Header Brass (R)	002220F	002220F					
3-H	Inlet/Outlet Header Cast Iron One Pass	003493F	003493F	003493F	003493F	003493F	003493F	003493F
4-H	Return Header Cast Iron	002221F	002221F	002221F	002221F	002221F	002221F	002221F
	Return Header Brass	002222F	002222F	002222F	002222F	002222F	002222F	002222F
5-H	Return Pump Header Cast Iron	002223F	002223F	002223F	002223F	002223F	002223F	002223F
	Return Pump Header Brass	002224F	002224F	002224F	002224F	002224F	002224F	002224F
6-H	Tube Bundle	002187F	002188F	002189F	002190F	002191F	002192F	002193F
	Tube Bundle Cupro Nickel (N)	002194F	002195F	002196F	002197F	002198F	002199F	002200F
7-H	Heat Exchange Tube	002201F	002202F	002203F	002204F	002205F	002206F	002207F
	Heat Exchange Tube Cupro Nickel	002208F	002209F	002210F	002211F	002212F	002213F	002214F
8-H	Baffle Kit	001520F	001521F	001522F	001523F	001524F	001525F	001526F
9-H	Stud Bolt Kit	001051F	001051F	001051F	001051F	001051F	001051F	001051F
	Stud Bolt Kit w/Pump Header	001527F	001527F	001527F	001527F	001527F	001527F	001527F
	Stud Bolt Kit One Pass Header	003492F	003492F	003492F	003492F	003492F	003492F	003492F
10-H	Header Gasket	800001B	800001B	800001B	800001B	800001B	800001B	800001B
11-H	Sensor Well	007211F	007211F	007211F	007211F	007211F	007211F	007211F
12-H	Well Retaining Clip	300203	300203	300203	300203	300203	300203	300203

*FOR ALTITUDES ABOVE 2,000 FEET ABOVE SEA LEVEL CONSULT THE FACTORY.

**REPLACEMENT BURNER TRAYS ARE BUILT FOR SEA LEVEL, NATURAL GAS APPLICATIONS UNLESS OTHERWISE SPECIFIED AT THE TIME THE ORDER IS PLACED.

HW - HONEYWELL

RS - ROBERTSHAW

CALL OUT	DESCRIPTION	962 [926]	1125 [1083]	1223 [1178]	1336 [1287]	1468 [1414]	1631 [1571]	1826 [1758]
B	BURNER TRAY**							
1-B	Burner Tray w/Burners (Sea Level)*	002092F	002093F	002094F	002095F	002096F	002097F	002098F
	Burner Tray w/o Burners (Sea Level)*	002099F	002100F	002101F	002102F	002103F	002104F	002105F
2-B	Burner Tray w/Burners (Sea Level)* HW	002106F	002107F	002108F	002109F	002110F	002111F	002112F
	Burner Tray w/o Burner (Sea Level)* HW	002113F	002114F	002115F	002116F	002117F	002118F	002119F
	Burner Tray w/Burners (Sea Level)* RS	005605F	005606F	005607F	005608F	005609F	005610F	005611F
	Burner Tray w/o Burners (Sea level)* RS	005612F	005613F	005614F	005615F	005616F	005617F	005618F
3-B	Burner Spacer/Holddown (Single)	002120F	002121F	002122F	002123F	002124F	002125F	002126F
	Burner Spacer/Holddown (Double) HW	002127F	002128F	002129F	002130F	002131F	002132F	002133F
	Burner Spacer/Holddown (Double) RS	002120F	002121F	002122F	002123F	005623F	005624F	005625F
4-B	Burner	301210/59	301210/69	301210/75	301210/82	301210/90	301210/100	301210/112
5-B	Burner Orifice Nat.#49 Outdoor (Sea Level)*	350078F/59	350078F/69	350078F/75	350078F/82	350078F/90	350078F/100	350078F/112
	Burner Orifice Nat.#48 Indoor (Sea Level)*	350077F/59	350077F/69	350077F/75	350077F/82	350077F/90	350077F/100	350077F/112
	Burner Orifice Pro.#57 (Sea Level)*	350083F/59	350083F/69	350083F/75	350083F/82	350083F/90	350083F/100	350083F/112
C	CONTROLS							
1-C	Auto Reset Fixed High Limit 240°F	008554F	008554F	008554F	008554F	008554F	008554F	008554F
2-C	Manual Reset Adjustable High Limit 240°F Max	007144F	007144F	007144F	007144F	007144F	007144F	007144F
	Manual Reset Adjustable High Limit 200°F Max	008081F	008081F	008081F	008081F	008081F	008081F	008081F
	Auto Reset Dualstat	004092F	004092F	004092F	004092F	004092F	004092F	004092F
	Manual Reset Dualstat	004092F	004092F	004092F	004092F	004092F	004092F	004092F
	Auto Reset Adjustable High Limit 240°F Max	007141F	007141F	007141F	007141F	007141F	007141F	007141F
	Auto Reset Adjustable High Limit 200°F Max	012546F	012546F	012546F	012546F	012546F	012546F	012546F
	Auto Reset Adjustable High Limit 180°F Max	006445F	006445F	006445F	006445F	006445F	006445F	006445F
	Controller Modulating (H2)	N/A	N/A	N/A	N/A	N/A	N/A	N/A
	Controller 2-Stage (H3)	007392F	007392F	007392F	007392F	007392F	007392F	007392F
	Controller 2-Stage (W3) WH	006760F	006760F	006760F	006760F	006760F	006760F	006760F
	Controller 4-Stage (W3) WH	006759F	006759F	006759F	006759F	006759F	006759F	006759F
	Controller B3 (H6) Aquatrol	601036F	601036F	601036F	601036F	601036F	601036F	601036F
	Controller B5 (H6)	N/A	N/A	N/A	N/A	N/A	N/A	N/A
	Controller Modulating (B-40/B-41 Digital)	013293F	013293F	013293F	013293F	013293F	013293F	013293F
3-C	Flow Switch	007142F	007142F	007142F	007142F	007142F	007142F	007142F
4-C	Low Water Cutoff (Not Shown)	006202F	006202F	006202F	006202F	006202F	006202F	006202F
5-C	Thermostat Economaster	003609F	003609F	003609F	003609F	003609F	003609F	003609F
6-C	Economaster II Control	004675F	004675F	004675F	004675F	004675F	004675F	004675F
7-C	Flow Switch Paddle (McDonnell Miller)	004079F	004079F	004079F	004079F	004079F	004079F	004079F
	Flow Switch Paddle (Taco)	010026F	010026F	010026F	010026F	010026F	010026F	010026F
G	GAS VALVES	(SEE GAS VALVE REPLACEMENT CHART)						
H	HEAT EXCHANGER							
1-H	Heat Exch Assy. Cast Iron	002134F	002135F	002136F	002137F	002138F	002139F	002140F
	Heat Exch Assy Brass	002141F	002142F	002143F	002144F	002145F	002146F	002147F
	Heat Exch Assy Cast Iron w/Pump Hdr	002148F	002149F	002150F	002151F	002152F	002153F	002154F
	Heat Exch Assy Brass w/Pump Hdr	002155F	002156F	002157F	002158F	002159F	002160F	002161F
	Heat Exch Assy Cast Iron w/Pump Hdr (N)	002166F	002167F	002168F	002169F	002170F	002171F	002172F
	Heat Exch Assy Brass w/Pump Hdr (N)	002173F	002174F	002175F	002176F	002177F	002178F	002179F
	Heat Exch Assy Cast Iron w/Pump Hdr (R)	002162F	002163F					
	Heat Exch Assy Brass w/Pump Hdr (R)	002164F	002165F					
	Heat Exch Assy Cast Iron Cupro Nickel	002180F	002181F	002182F	002183F	002184F	002185F	002186F
	Heat Exch Assy Brass Cupro Nickel	012349F	012350F	012351F	002485F	002486F	002487F	002488F
	Heat Exch Assy Brass Cupro Nickel w/Pump (N)	002726F	002727F	002728F	002729F	002730F	002731F	002732F
	Heat Exch Assy Cast Iron One Pass (N)	003494F	003495F	003496F	003497F	003498F	003499F	003500F
2-H	Inlet/Outlet Header Cast Iron	002215F	002215F	002215F	002215F	002215F	002215F	002215F
	Inlet/Outlet Header Brass	002216F	002216F	002216F	002216F	002216F	002216F	002216F
	Inlet/Outlet Hader Cast Iron (N)	002217F	002217F	002217F	002217F	002217F	002217F	002217F
	Inlet/Outlet Header Brass (N)	002218F	002218F	002218F	002218F	002218F	002218F	002218F
	Inlet/Outlet Header Cast (R)	002219F	002219F					
	Inlet/Outlet Header Brass (R)	002220F	002220F					
3-H	Inlet/Outlet Header Cast Iron One Pass	003493F	003493F	003493F	003493F	003493F	003493F	003493F
4-H	Return Header Cast Iron	002221F	002221F	002221F	002221F	002221F	002221F	002221F
	Return Header Brass	002222F	002222F	002222F	002222F	002222F	002222F	002222F
5-H	Return Pump Header Cast Iron	002223F	002223F	002223F	002223F	002223F	002223F	002223F
	Return Pump Header Brass	002224F	002224F	002224F	002224F	002224F	002224F	002224F
6-H	Tube Bundle	002187F	002188F	002189F	002190F	002191F	002192F	002193F
	Tube Bundle Cupro Nickel (N)	002194F	002195F	002196F	002197F	002198F	002199F	002200F
7-H	Heat Exchange Tube	002201F	002202F	002203F	002204F	002205F	002206F	002207F
	Heat Exchange Tube Cupro Nickel	002208F	002209F	002210F	002211F	002212F	002213F	002214F
8-H	Baffle Kit	001520F	001521F	001522F	001523F	001524F	001525F	001526F
9-H	Stud Bolt Kit	001051F	001051F	001051F	001051F	001051F	001051F	001051F
	Stud Bolt Kit w/Pump Header	001527F	001527F	001527F	001527F	001527F	001527F	001527F
	Stud Bolt Kit One Pass Header	003492F	003492F	003492F	003492F	003492F	003492F	003492F
10-H	Header Gasket	800001B	800001B	800001B	800001B	800001B	800001B	800001B
11-H	Sensor Well	007211F	007211F	007211F	007211F	007211F	007211F	007211F
12-H	Well Retaining Clip	300203	300203	300203	300203	300203	300203	300203

*FOR ALTITUDES ABOVE 2,000 FEET ABOVE SEA LEVEL CONSULT THE FACTORY.

**REPLACEMENT BURNER TRAYS ARE BUILT FOR SEA LEVEL, NATURAL GAS APPLICATIONS UNLESS OTHERWISE SPECIFIED AT THE TIME THE ORDER IS PLACED.

HW - HONEYWELL

RS - ROBERTSHAW

CALL OUT	DESCRIPTION	962 [926]	1125 [1083]	1223 [1178]	1336 [1287]	1468 [1414]	1631 [1571]	1826 [1758]
B	BURNER TRAY**							
1-B	Burner Tray w/Burners (Sea Level)*	002092F	002093F	002094F	002095F	002096F	002097F	002098F
	Burner Tray w/o Burners (Sea Level)*	002099F	002100F	002101F	002102F	002103F	002104F	002105F
2-B	Burner Tray w/Burners (Sea Level)* HW	002106F	002107F	002108F	002109F	002110F	002111F	002112F
	Burner Tray w/o Burner (Sea Level)* HW	002113F	002114F	002115F	002116F	002117F	002118F	002119F
	Burner Tray w/Burners (Sea Level)* RS	005605F	005606F	005607F	005608F	005609F	005610F	005611F
	Burner Tray w/o Burners (Sea level)* RS	005612F	005613F	005614F	005615F	005616F	005617F	005618F
3-B	Burner Spacer/Holddown (Single)	002120F	002121F	002122F	002123F	002124F	002125F	002126F
	Burner Spacer/Holddown (Double) HW	002127F	002128F	002129F	002130F	002131F	002132F	002133F
	Burner Spacer/Holddown (Double) RS	002120F	002121F	002122F	002123F	005623F	005624F	005625F
4-B	Burner	301210/59	301210/69	301210/75	301210/82	301210/90	301210/100	301210/112
5-B	Burner Orifice Nat.#49 Outdoor (Sea Level)*	350078F/59	350078F/69	350078F/75	350078F/82	350078F/90	350078F/100	350078F/112
	Burner Orifice Nat.#48 Indoor (Sea Level)*	350077F/59	350077F/69	350077F/75	350077F/82	350077F/90	350077F/100	350077F/112
	Burner Orifice Pro.#57 (Sea Level)*	350083F/59	350083F/69	350083F/75	350083F/82	350083F/90	350083F/100	350083F/112
C	CONTROLS							
1-C	Auto Reset Fixed High Limit 240°F	008554F	008554F	008554F	008554F	008554F	008554F	008554F
2-C	Manual Reset Adjustable High Limit 240°F Max	007144F	007144F	007144F	007144F	007144F	007144F	007144F
	Manual Reset Adjustable High Limit 200°F Max	008081F	008081F	008081F	008081F	008081F	008081F	008081F
	Auto Reset Dualstat	004092F	004092F	004092F	004092F	004092F	004092F	004092F
	Manual Reset Dualstat	004092F	004092F	004092F	004092F	004092F	004092F	004092F
	Auto Reset Adjustable High Limit 240°F Max	007141F	007141F	007141F	007141F	007141F	007141F	007141F
	Auto Reset Adjustable High Limit 200°F Max	012546F	012546F	012546F	012546F	012546F	012546F	012546F
	Auto Reset Adjustable High Limit 180°F Max	006445F	006445F	006445F	006445F	006445F	006445F	006445F
	Controller Modulating (H2)	N/A	N/A	N/A	N/A	N/A	N/A	N/A
	Controller 2-Stage (H3)	007392F	007392F	007392F	007392F	007392F	007392F	007392F
	Controller 2-Stage (W3) WH	006760F	006760F	006760F	006760F	006760F	006760F	006760F
	Controller 4-Stage (W3) WH	006759F	006759F	006759F	006759F	006759F	006759F	006759F
	Controller B3 (H6) Aquatrol	601036F	601036F	601036F	601036F	601036F	601036F	601036F
	Controller B5 (H6)	N/A	N/A	N/A	N/A	N/A	N/A	N/A
	Controller Modulating (B-40/B-41 Digital)	013293F	013293F	013293F	013293F	013293F	013293F	013293F
	Flow Switch	007142F	007142F	007142F	007142F	007142F	007142F	007142F
3-C	Low Water Cutoff (Not Shown)	006202F	006202F	006202F	006202F	006202F	006202F	006202F
4-C	Thermostat Economaster	003609F	003609F	003609F	003609F	003609F	003609F	003609F
5-C	Economaster II Control	004675F	004675F	004675F	004675F	004675F	004675F	004675F
6-C	Flow Switch Paddle (McDonnell Miller)	004079F	004079F	004079F	004079F	004079F	004079F	004079F
7-C	Flow Switch Paddle (Taco)	010026F	010026F	010026F	010026F	010026F	010026F	010026F
G	GAS VALVES	(SEE GAS VALVE REPLACEMENT CHART)						
H	HEAT EXCHANGER							
1-H	Heat Exch Assy. Cast Iron	002134F	002135F	002136F	002137F	002138F	002139F	002140F
	Heat Exch Assy Brass	002141F	002142F	002143F	002144F	002145F	002146F	002147F
	Heat Exch Assy Cast Iron w/Pump Hdr	002148F	002149F	002150F	002151F	002152F	002153F	002154F
	Heat Exch Assy Brass w/Pump Hdr	002155F	002156F	002157F	002158F	002159F	002160F	002161F
	Heat Exch Assy Cast Iron w/Pump Hdr (N)	002166F	002167F	002168F	002169F	002170F	002171F	002172F
	Heat Exch Assy Brass w/Pump Hdr (N)	002173F	002174F	002175F	002176F	002177F	002178F	002179F
	Heat Exch Assy Cast Iron w/Pump Hdr (R)	002162F	002163F					
	Heat Exch Assy Brass w/Pump Hdr (R)	002164F	002165F					
	Heat Exch Assy Cast Iron Cupro Nickel	002180F	002181F	002182F	002183F	002184F	002185F	002186F
	Heat Exch Assy Brass Cupro Nickel	012349F	012350F	012351F	002485F	002486F	002487F	002488F
	Heat Exch Assy Brass Cupro Nickel w/Pump (N)	002726F	002727F	002728F	002729F	002730F	002731F	002732F
	Heat Exch Assy Cast Iron One Pass (N)	003494F	003495F	003496F	003497F	003498F	003499F	003500F
2-H	Inlet/Outlet Header Cast Iron	002215F	002215F	002215F	002215F	002215F	002215F	002215F
	Inlet/Outlet Header Brass	002216F	002216F	002216F	002216F	002216F	002216F	002216F
	Inlet/Outlet Header Cast Iron (N)	002217F	002217F	002217F	002217F	002217F	002217F	002217F
	Inlet/Outlet Header Brass (N)	002218F	002218F	002218F	002218F	002218F	002218F	002218F
	Inlet/Outlet Header Cast (R)	002219F	002219F					
	Inlet/Outlet Header Brass (R)	002220F	002220F					
3-H	Inlet/Outlet Header Cast Iron One Pass	003493F	003493F	003493F	003493F	003493F	003493F	003493F
4-H	Return Header Cast Iron	002221F	002221F	002221F	002221F	002221F	002221F	002221F
	Return Header Brass	002222F	002222F	002222F	002222F	002222F	002222F	002222F
5-H	Return Pump Header Cast Iron	002223F	002223F	002223F	002223F	002223F	002223F	002223F
	Return Pump Header Brass	002224F	002224F	002224F	002224F	002224F	002224F	002224F
6-H	Tube Bundle	002187F	002188F	002189F	002190F	002191F	002192F	002193F
	Tube Bundle Cupro Nickel (N)	002194F	002195F	002196F	002197F	002198F	002199F	002200F
7-H	Heat Exchange Tube	002201F	002202F	002203F	002204F	002205F	002206F	002207F
	Heat Exchange Tube Cupro Nickel	002208F	002209F	002210F	002211F	002212F	002213F	002214F
8-H	Baffle Kit	001520F	001521F	001522F	001523F	001524F	001525F	001526F
9-H	Stud Bolt Kit	001051F	001051F	001051F	001051F	001051F	001051F	001051F
	Stud Bolt Kit w/Pump Header	001527F	001527F	001527F	001527F	001527F	001527F	001527F
	Stud Bolt Kit One Pass Header	003492F	003492F	003492F	003492F	003492F	003492F	003492F
10-H	Header Gasket	800001B	800001B	800001B	800001B	800001B	800001B	800001B
11-H	Sensor Well	007211F	007211F	007211F	007211F	007211F	007211F	007211F
12-H	Well Retaining Clip	300203	300203	300203	300203	300203	300203	300203

*FOR ALTITUDES ABOVE 2,000 FEET ABOVE SEA LEVEL CONSULT THE FACTORY.

**REPLACEMENT BURNER TRAYS ARE BUILT FOR SEA LEVEL, NATURAL GAS APPLICATIONS UNLESS OTHERWISE SPECIFIED AT THE TIME THE ORDER IS PLACED.

HW - HONEYWELL

RS - ROBERTSHAW

CALL OUT	DESCRIPTION	962 [926]	1125 [1083]	1223 [1178]	1336 [1287]	1468 [1414]	1631 [1571]	1826 [1758]
B	BURNER TRAY**							
1-B	Burner Tray w/Burners (Sea Level)*	002092F	002093F	002094F	002095F	002096F	002097F	002098F
	Burner Tray w/o Burners (Sea Level)*	002099F	002100F	002101F	002102F	002103F	002104F	002105F
2-B	Burner Tray w/Burners (Sea Level)* HW	002106F	002107F	002108F	002109F	002110F	002111F	002112F
	Burner Tray w/o Burner (Sea Level)* HW	002113F	002114F	002115F	002116F	002117F	002118F	002119F
	Burner Tray w/Burners (Sea Level)* RS	005605F	005606F	005607F	005608F	005609F	005610F	005611F
	Burner Tray w/o Burners (Sea Level)* RS	005612F	005613F	005614F	005615F	005616F	005617F	005618F
3-B	Burner Spacer/Holddown (Single)	002120F	002121F	002122F	002123F	002124F	002125F	002126F
	Burner Spacer/Holddown (Double) HW	002127F	002128F	002129F	002130F	002131F	002132F	002133F
	Burner Spacer/Holddown (Double) RS	002120F	002121F	002122F	002123F	005623F	005624F	005625F
4-B	Burner	301210/59	301210/69	301210/75	301210/82	301210/90	301210/100	301210/112
5-B	Burner Orifice Nat.#49 Outdoor (Sea Level)*	350078F/59	350078F/69	350078F/75	350078F/82	350078F/90	350078F/100	350078F/112
	Burner Orifice Nat.#48 Indoor (Sea Level)*	350077F/59	350077F/69	350077F/75	350077F/82	350077F/90	350077F/100	350077F/112
	Burner Orifice Pro.#57 (Sea Level)*	350083F/59	350083F/69	350083F/75	350083F/82	350083F/90	350083F/100	350083F/112
C	CONTROLS							
1-C	Auto Reset Fixed High Limit 240°F	008554F	008554F	008554F	008554F	008554F	008554F	008554F
2-C	Manual Reset Adjustable High Limit 240°F Max	007144F	007144F	007144F	007144F	007144F	007144F	007144F
	Manual Reset Adjustable High Limit 200°F Max	008081F	008081F	008081F	008081F	008081F	008081F	008081F
	Auto Reset Dualstat	004092F	004092F	004092F	004092F	004092F	004092F	004092F
	Manual Reset Dualstat	004092F	004092F	004092F	004092F	004092F	004092F	004092F
	Auto Reset Adjustable High Limit 240°F Max	007141F	007141F	007141F	007141F	007141F	007141F	007141F
	Auto Reset Adjustable High Limit 200°F Max	012546F	012546F	012546F	012546F	012546F	012546F	012546F
	Auto Reset Adjustable High Limit 180°F Max	006445F	006445F	006445F	006445F	006445F	006445F	006445F
	Controller Modulating (H2)	N/A	N/A	N/A	N/A	N/A	N/A	N/A
	Controller 2-Stage (H3)	007392F	007392F	007392F	007392F	007392F	007392F	007392F
	Controller 2-Stage (W3) WH	006760F	006760F	006760F	006760F	006760F	006760F	006760F
	Controller 4-Stage (W3) WH	006759F	006759F	006759F	006759F	006759F	006759F	006759F
	Controller B3 (H6) Aquatrol	601036F	601036F	601036F	601036F	601036F	601036F	601036F
	Controller B5 (H6)	N/A	N/A	N/A	N/A	N/A	N/A	N/A
	Controller Modulating (B-40/B-41 Digital)	013293F	013293F	013293F	013293F	013293F	013293F	013293F
	Flow Switch	007142F	007142F	007142F	007142F	007142F	007142F	007142F
3-C	Low Water Cutoff (Not Shown)	006202F	006202F	006202F	006202F	006202F	006202F	006202F
4-C	Thermostat Economaster	003609F	003609F	003609F	003609F	003609F	003609F	003609F
5-C	Economaster II Control	004675F	004675F	004675F	004675F	004675F	004675F	004675F
6-C	Flow Switch Paddle (McDonnell Miller)	004079F	004079F	004079F	004079F	004079F	004079F	004079F
7-C	Flow Switch Paddle (Taco)	010026F	010026F	010026F	010026F	010026F	010026F	010026F
G	GAS VALVES	(SEE GAS VALVE REPLACEMENT CHART)						
H	HEAT EXCHANGER							
1-H	Heat Exch Assy. Cast Iron	002134F	002135F	002136F	002137F	002138F	002139F	002140F
	Heat Exch Assy Brass	002141F	002142F	002143F	002144F	002145F	002146F	002147F
	Heat Exch Assy Cast Iron w/Pump Hdr	002148F	002149F	002150F	002151F	002152F	002153F	002154F
	Heat Exch Assy Brass w/Pump Hdr	002155F	002156F	002157F	002158F	002159F	002160F	002161F
	Heat Exch Assy Cast Iron w/Pump Hdr (N)	002166F	002167F	002168F	002169F	002170F	002171F	002172F
	Heat Exch Assy Brass w/Pump Hdr (N)	002173F	002174F	002175F	002176F	002177F	002178F	002179F
	Heat Exch Assy Cast Iron w/Pump Hdr (R)	002162F	002163F					
	Heat Exch Assy Brass w/Pump Hdr (R)	002164F	002165F					
	Heat Exch Assy Cast Iron Cupro Nickel	002180F	002181F	002182F	002183F	002184F	002185F	002186F
	Heat Exch Assy Brass Cupro Nickel	012349F	012350F	012351F	002485F	002486F	002487F	002488F
	Heat Exch Assy Brass Cupro Nickel w/Pump (N)	002726F	002727F	002728F	002729F	002730F	002731F	002732F
	Heat Exch Assy Cast Iron One Pass (N)	003494F	003495F	003496F	003497F	003498F	003499F	003500F
2-H	Inlet/Outlet Header Cast Iron	002215F	002215F	002215F	002215F	002215F	002215F	002215F
	Inlet/Outlet Header Brass	002216F	002216F	002216F	002216F	002216F	002216F	002216F
	Inlet/Outlet Header Cast Iron (N)	002217F	002217F	002217F	002217F	002217F	002217F	002217F
	Inlet/Outlet Header Brass (N)	002218F	002218F	002218F	002218F	002218F	002218F	002218F
	Inlet/Outlet Header Cast (R)	002219F	002219F					
	Inlet/Outlet Header Brass (R)	002220F	002220F					
3-H	Inlet/Outlet Header Cast Iron One Pass	003493F	003493F	003493F	003493F	003493F	003493F	003493F
4-H	Return Header Cast Iron	002221F	002221F	002221F	002221F	002221F	002221F	002221F
	Return Header Brass	002222F	002222F	002222F	002222F	002222F	002222F	002222F
5-H	Return Pump Header Cast Iron	002223F	002223F	002223F	002223F	002223F	002223F	002223F
	Return Pump Header Brass	002224F	002224F	002224F	002224F	002224F	002224F	002224F
6-H	Tube Bundle	002187F	002188F	002189F	002190F	002191F	002192F	002193F
	Tube Bundle Cupro Nickel (N)	002194F	002195F	002196F	002197F	002198F	002199F	002200F
7-H	Heat Exchange Tube	002201F	002202F	002203F	002204F	002205F	002206F	002207F
	Heat Exchange Tube Cupro Nickel	002208F	002209F	002210F	002211F	002212F	002213F	002214F
8-H	Baffle Kit	001520F	001521F	001522F	001523F	001524F	001525F	001526F
9-H	Stud Bolt Kit	001051F	001051F	001051F	001051F	001051F	001051F	001051F
	Stud Bolt Kit w/Pump Header	001527F	001527F	001527F	001527F	001527F	001527F	001527F
	Stud Bolt Kit One Pass Header	003492F	003492F	003492F	003492F	003492F	003492F	003492F
10-H	Header Gasket	800001B	800001B	800001B	800001B	800001B	800001B	800001B
11-H	Sensor Well	007211F	007211F	007211F	007211F	007211F	007211F	007211F
12-H	Well Retaining Clip	300203	300203	300203	300203	300203	300203	300203

*FOR ALTITUDES ABOVE 2,000 FEET ABOVE SEA LEVEL CONSULT THE FACTORY.

**REPLACEMENT BURNER TRAYS ARE BUILT FOR SEA LEVEL, NATURAL GAS APPLICATIONS UNLESS OTHERWISE SPECIFIED AT THE TIME THE ORDER IS PLACED.

HW - HONEYWELL

RS - ROBERTSHAW

CALL OUT	DESCRIPTION	962 [926]	1125 [1083]	1223 [1178]	1336 [1287]	1468 [1414]	1631 [1571]	1826 [1758]
B BURNER TRAY**								
1-B	Burner Tray w/Burners (Sea Level)*	002092F	002093F	002094F	002095F	002096F	002097F	002098F
	Burner Tray w/o Burners (Sea Level)*	002099F	002100F	002101F	002102F	002103F	002104F	002105F
2-B	Burner Tray w/Burners (Sea Level)* HW	002106F	002107F	002108F	002109F	002110F	002111F	002112F
	Burner Tray w/o Burner (Sea Level)* HW	002113F	002114F	002115F	002116F	002117F	002118F	002119F
	Burner Tray w/Burners (Sea Level)* RS	005605F	005606F	005607F	005608F	005609F	005610F	005611F
	Burner Tray w/o Burners (Sea level)* RS	005612F	005613F	005614F	005615F	005616F	005617F	005618F
3-B	Burner Spacer/Holddown (Single)	002120F	002121F	002122F	002123F	002124F	002125F	002126F
	Burner Spacer/Holddown (Double) HW	002127F	002128F	002129F	002130F	002131F	002132F	002133F
	Burner Spacer/Holddown (Double) RS	002120F	002121F	002122F	002123F	005623F	005624F	005625F
4-B	Burner	301210/59	301210/69	301210/75	301210/82	301210/90	301210/100	301210/112
5-B	Burner Orifice Nat.#49 Outdoor (Sea Level)*	350078F/59	350078F/69	350078F/75	350078F/82	350078F/90	350078F/100	350078F/112
	Burner Orifice Nat.#48 Indoor (Sea Level)*	350077F/59	350077F/69	350077F/75	350077F/82	350077F/90	350077F/100	350077F/112
	Burner Orifice Pro.#57 (Sea Level)*	350083F/59	350083F/69	350083F/75	350083F/82	350083F/90	350083F/100	350083F/112
C CONTROLS								
1-C	Auto Reset Fixed High Limit 240°F	008554F	008554F	008554F	008554F	008554F	008554F	008554F
2-C	Manual Reset Adjustable High Limit 240°F Max	007144F	007144F	007144F	007144F	007144F	007144F	007144F
	Manual Reset Adjustable High Limit 200°F Max	008081F	008081F	008081F	008081F	008081F	008081F	008081F
	Auto Reset Dualstat	004092F	004092F	004092F	004092F	004092F	004092F	004092F
	Manual Reset Dualstat	004092F	004092F	004092F	004092F	004092F	004092F	004092F
	Auto Reset Adjustable High Limit 240°F Max	007141F	007141F	007141F	007141F	007141F	007141F	007141F
	Auto Reset Adjustable High Limit 200°F Max	012546F	012546F	012546F	012546F	012546F	012546F	012546F
	Auto Reset Adjustable High Limit 180°F Max	006445F	006445F	006445F	006445F	006445F	006445F	006445F
	Controller Modulating (H2)	N/A	N/A	N/A	N/A	N/A	N/A	N/A
	Controller 2-Stage (H3)	007392F	007392F	007392F	007392F	007392F	007392F	007392F
	Controller 2-Stage (W3) WH	006760F	006760F	006760F	006760F	006760F	006760F	006760F
	Controller 4-Stage (W3) WH	006759F	006759F	006759F	006759F	006759F	006759F	006759F
	Controller B3 (H6) Aquatrol	601036F	601036F	601036F	601036F	601036F	601036F	601036F
	Controller B5 (H6)	N/A	N/A	N/A	N/A	N/A	N/A	N/A
	Controller Modulating (B-40/B-41 Digital)	013293F	013293F	013293F	013293F	013293F	013293F	013293F
3-C	Flow Switch	007142F	007142F	007142F	007142F	007142F	007142F	007142F
4-C	Low Water Cutoff (Not Shown)	006202F	006202F	006202F	006202F	006202F	006202F	006202F
5-C	Thermostat Economaster	003609F	003609F	003609F	003609F	003609F	003609F	003609F
6-C	Economaster II Control	004675F	004675F	004675F	004675F	004675F	004675F	004675F
7-C	Flow Switch Paddle (McDonnell Miller)	004079F	004079F	004079F	004079F	004079F	004079F	004079F
	Flow Switch Paddle (Taco)	010026F	010026F	010026F	010026F	010026F	010026F	010026F
G GAS VALVES (SEE GAS VALVE REPLACEMENT CHART)								
H HEAT EXCHANGER								
1-H	Heat Exch Assy. Cast Iron	002134F	002135F	002136F	002137F	002138F	002139F	002140F
	Heat Exch Assy Brass	002141F	002142F	002143F	002144F	002145F	002146F	002147F
	Heat Exch Assy Cast Iron w/Pump Hdr	002148F	002149F	002150F	002151F	002152F	002153F	002154F
	Heat Exch Assy Brass w/Pump Hdr	002155F	002156F	002157F	002158F	002159F	002160F	002161F
	Heat Exch Assy Cast Iron w/Pump Hdr (N)	002166F	002167F	002168F	002169F	002170F	002171F	002172F
	Heat Exch Assy Brass w/Pump Hdr (N)	002173F	002174F	002175F	002176F	002177F	002178F	002179F
	Heat Exch Assy Cast Iron w/Pump Hdr (R)	002162F	002163F					
	Heat Exch Assy Brass w/Pump Hdr (R)	002164F	002165F					
	Heat Exch Assy Cast Iron Cupro Nickel	002180F	002181F	002182F	002183F	002184F	002185F	002186F
	Heat Exch Assy Brass Cupro Nickel	012349F	012350F	012351F	002485F	002486F	002487F	002488F
	Heat Exch Assy Brass Cupro Nickel w/Pump (N)	002726F	002727F	002728F	002729F	002730F	002731F	002732F
	Heat Exch Assy Cast Iron One Pass (N)	003494F	003495F	003496F	003497F	003498F	003499F	003500F
2-H	Inlet/Outlet Header Cast Iron	002215F	002215F	002215F	002215F	002215F	002215F	002215F
	Inlet/Outlet Header Brass	002216F	002216F	002216F	002216F	002216F	002216F	002216F
	Inlet/Outlet Hader Cast Iron (N)	002217F	002217F	002217F	002217F	002217F	002217F	002217F
	Inlet/Outlet Header Brass (N)	002218F	002218F	002218F	002218F	002218F	002218F	002218F
	Inlet/Outlet Header Cast (R)	002219F	002219F					
	Inlet/Outlet Header Brass (R)	002220F	002220F					
3-H	Inlet/Outlet Header Cast Iron One Pass	003493F	003493F	003493F	003493F	003493F	003493F	003493F
4-H	Return Header Cast Iron	002221F	002221F	002221F	002221F	002221F	002221F	002221F
	Return Header Brass	002222F	002222F	002222F	002222F	002222F	002222F	002222F
5-H	Return Pump Header Cast Iron	002223F	002223F	002223F	002223F	002223F	002223F	002223F
	Return Pump Header Brass	002224F	002224F	002224F	002224F	002224F	002224F	002224F
6-H	Tube Bundle	002187F	002188F	002189F	002190F	002191F	002192F	002193F
	Tube Bundle Cupro Nickel (N)	002194F	002195F	002196F	002197F	002198F	002199F	002200F
7-H	Heat Exchange Tube	002201F	002202F	002203F	002204F	002205F	002206F	002207F
	Heat Exchange Tube Cupro Nickel	002208F	002209F	002210F	002211F	002212F	002213F	002214F
8-H	Baffle Kit	001520F	001521F	001522F	001523F	001524F	001525F	001526F
9-H	Stud Bolt Kit	001051F	001051F	001051F	001051F	001051F	001051F	001051F
	Stud Bolt Kit w/Pump Header	001527F	001527F	001527F	001527F	001527F	001527F	001527F
	Stud Bolt Kit One Pass Header	003492F	003492F	003492F	003492F	003492F	003492F	003492F
10-H	Header Gasket	800001B	800001B	800001B	800001B	800001B	800001B	800001B
11-H	Sensor Well	007211F	007211F	007211F	007211F	007211F	007211F	007211F
12-H	Well Retaining Clip	300203	300203	300203	300203	300203	300203	300203

*FOR ALTITUDES ABOVE 2,000 FEET ABOVE SEA LEVEL CONSULT THE FACTORY.

**REPLACEMENT BURNER TRAYS ARE BUILT FOR SEA LEVEL, NATURAL GAS APPLICATIONS UNLESS OTHERWISE SPECIFIED AT THE TIME THE ORDER IS PLACED.

HW - HONEYWELL

RS - ROBERTSHAW



Registered Quality Management System

www.raypak.com