

**COMMERCIAL**  
**MODELS: ADB 750A, 1000A & 1500**

CATALOG NO. 9300.71  
Effective: 01-19-12  
Replaces: 09-09-08

## RAYPAK REPLACEMENT PARTS

**MODEL SIZES: 750A, 1000A & 1500**

**MODEL TYPES: ADVANCED DESIGN BOILER H, WH**

DATES OF MANUFACTURE: MODEL 750A 03-14-02 THRU 05-21-03  
MODEL 1000A 03-19-02 THRU 04-23-03  
MODEL 1500 04-01-00 THRU 04-02-03

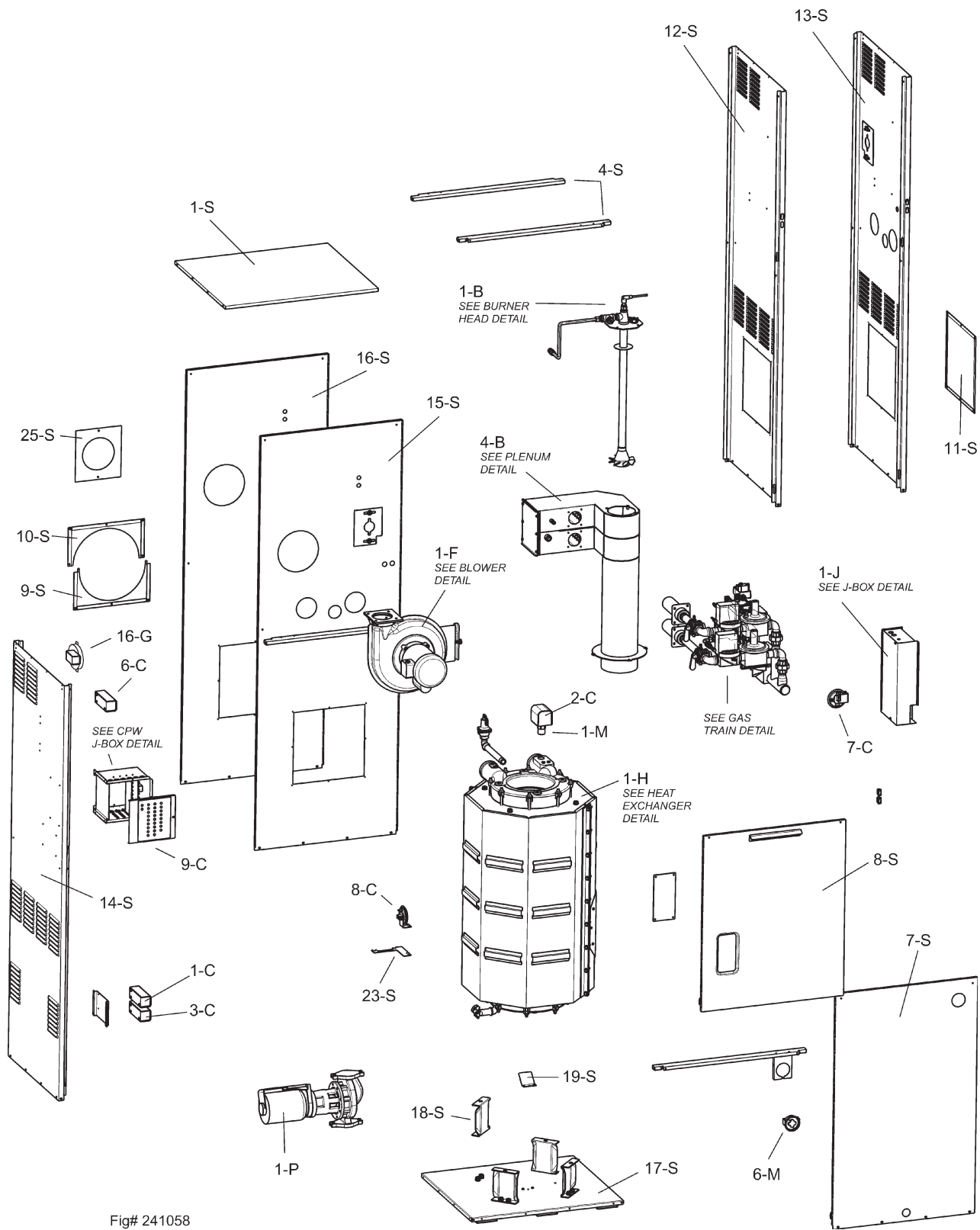
THE PARTS LISTED ARE FOR STANDARD EQUIPMENT FOR THIS MODEL TYPE. RAYPAK RESERVES THE RIGHT TO SUBSTITUTE, DELETE OR CHANGE ANY PART WITHOUT NOTIFICATION. THE ADDITION OF OPTIONS MAY ALSO CHANGE SOME OF THE PARTS. ORDER REPLACEMENT PARTS FROM ACTUAL HEATER COMPONENTS.



FOR DETAILED INSTRUCTIONS, SEE "HOW TO USE YOUR RAYPAK ILLUSTRATED PARTS LIST"  
CATALOG NO. 9001.10

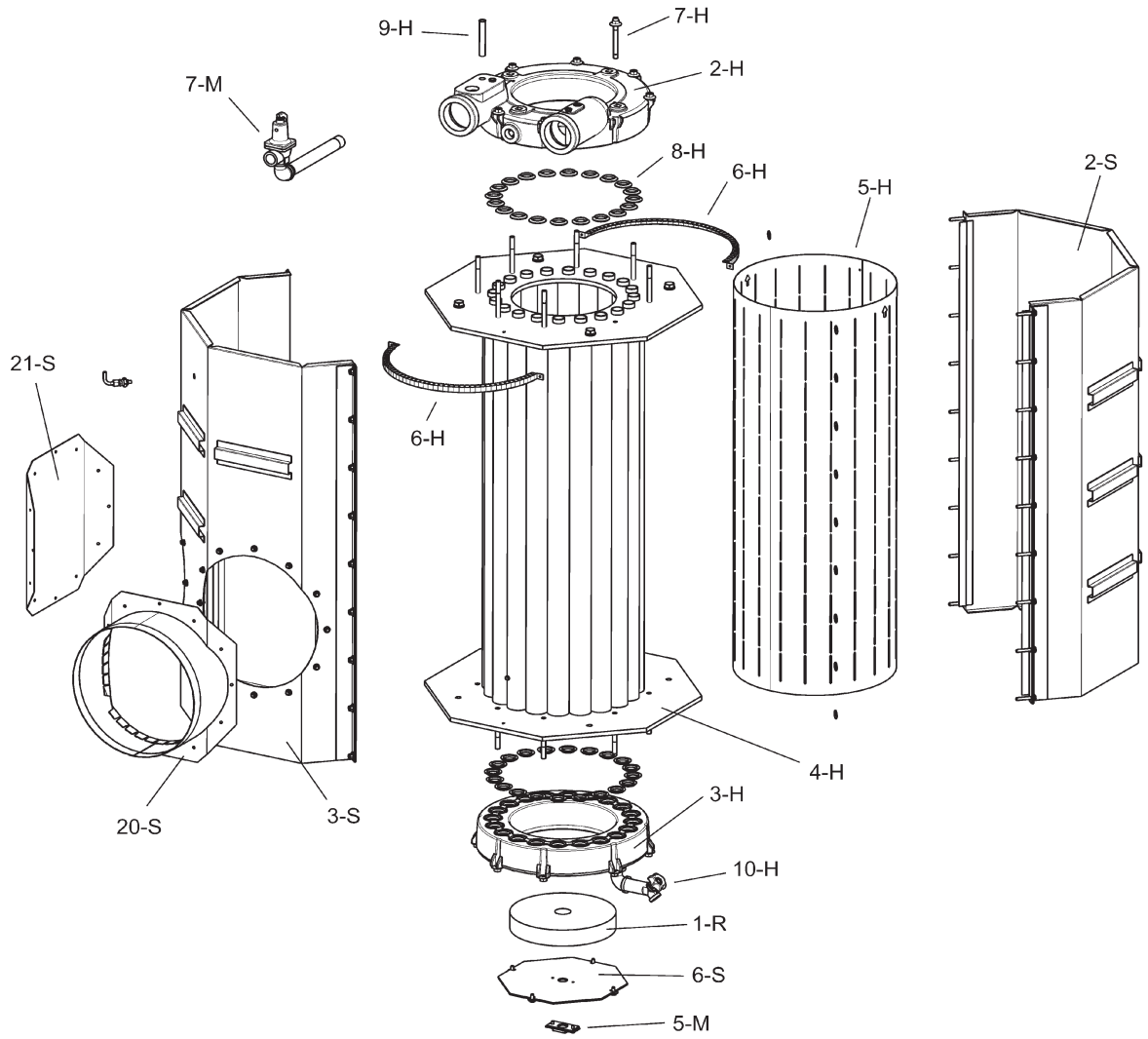


Raypak, Inc., 2151 Eastman Avenue, Oxnard, CA 93030  
(805) 278-5300 Fax (800) 872-9725  
Litho In U.S.A.

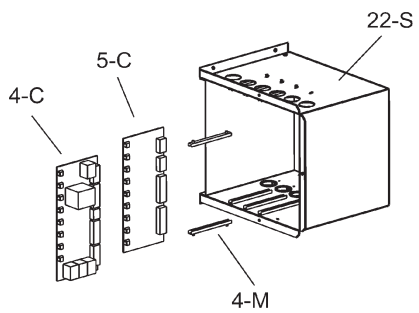


Fig# 241058

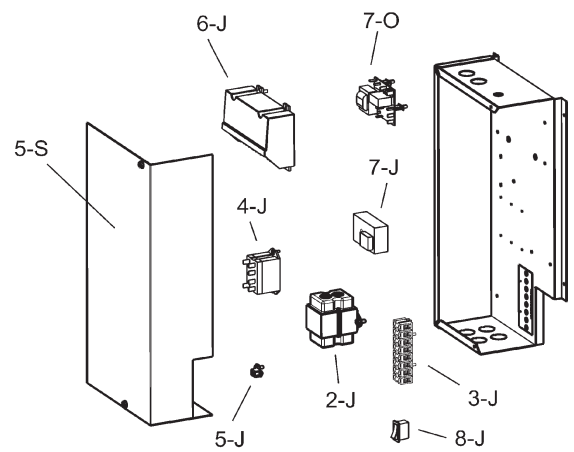
# HEAT EXCHANGER DETAIL



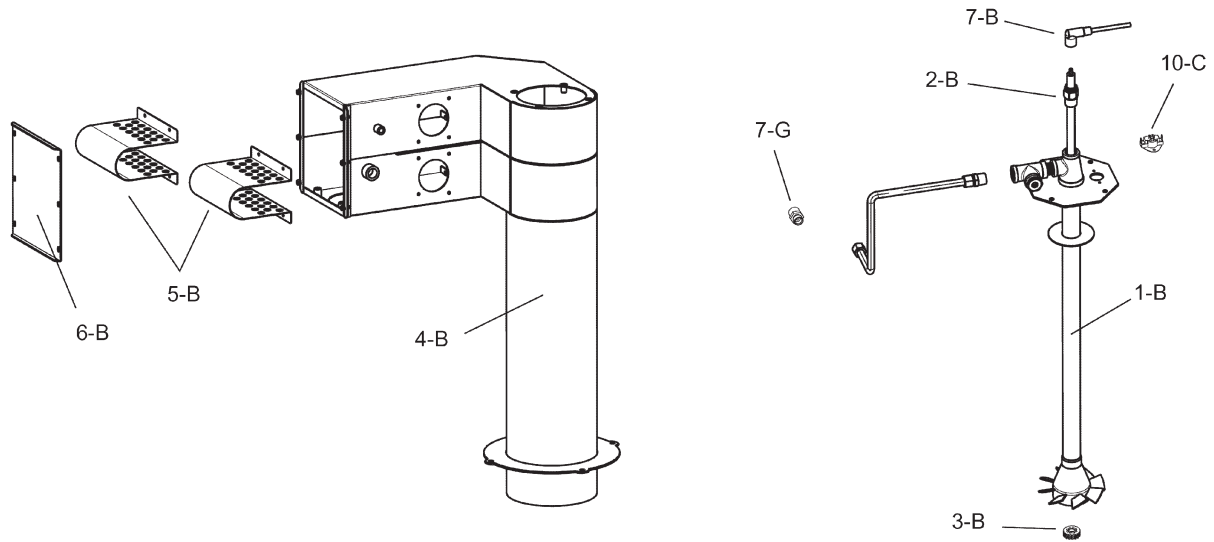
# CPW J-BOX DETAIL



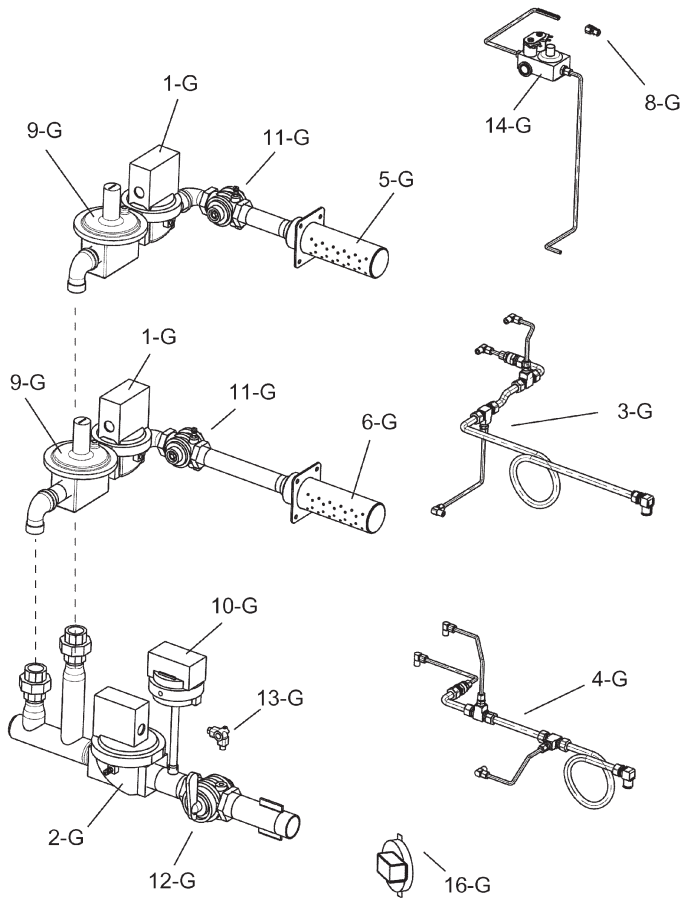
# J-BOX DETAIL



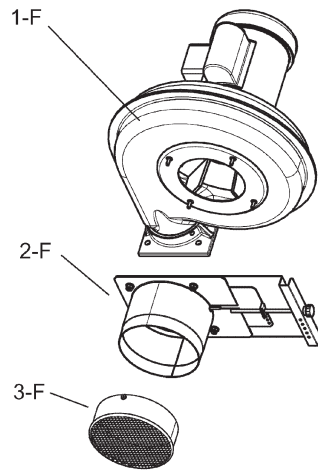
# PLENUM AND BURNER HEAD DETAIL



# GAS TRAIN DETAIL



# BLOWER DETAIL



CALL OUT	DESCRIPTION	750A	1000A	1500
<b>B</b>	<b>BURNER ASSEMBLY</b>			
1-B	Burner / Pilot Assembly IID Burner / Pilot Assembly C-2	008787F N/A	008787F N/A	007108F N/A
2-B	Ignitor-Spark Rod	007922F	007922F	007922F
3-B	Pilot Burner	007923F	007923F	007923F
4-B	Plenum Assembly Complete	008789F	008790F	007134F
5-B	Baffle-Gas/Air Mixing	008791F	008792F	007129F
6-B	Plenum End Panel	007139F	007139F	007139F
7-B	High Tension Wire	007121F	007121F	007121F
<b>C</b>	<b>CONTROLS</b>			
1-C	Auto Reset High Limit	007141F	007141F	007141F
2-C	Flow Switch	007142F	007142F	007142F
3-C	Manual Reset High Limit	007144F	007144F	007144F
4-C	Printed Circuit Board - Central Point Wiring	007146F	007146F	007146F
5-C	Printed Circuit Board - U2	007147F	007147F	007147F
6-C	Remote Aquastat- Storage tank (Tankstat)	007148F	007148F	007148F
7-C	Switch-Pressure Vent Normally Closed	007158F	007158F	007158F
8-C	Switch-Pressure Air Normally Open	007163F	007163F	007163F
9-C	Control Box Cover	007149F	007149F	007149F
10-C	Thermostat Manual Reset	006035F	006035F	006035F
<b>J</b>	<b>CONTROL BOX</b>			
1-J	Control Box Complete	007924F	007924F	007924F
2-J	Transformer 120/24 100 VA	007373F	007373F	007373F
3-J	Terminal Block w/Ground Tab (Not Shown)	008523F	008523F	008523F
	Terminal Block 3 pole	007152F	007152F	007152F
4-J	Relay DPST 24 VAC	007925F	007925F	007925F
5-J	Connector-Wire Bonding 14/6	007155F	007155F	007155F
6-J	Ignition Control IID	007156F	007156F	007156F
7-J	Time Delay Contactor	008667F	008667F	008667F
8-J	Switch-Rocker SPST 16A	006872F	006872F	006872F
<b>F</b>	<b>FAN</b>			
1-F	Blower Combustion Air	008793F	008793F	007160F
2-F	Air Shutter Assembly	007926F	007926F	009177F
3-F	Cap Intake Vent	007162F	007162F	007162F
<b>G</b>	<b>GAS TRAIN</b>			
1-G	Auto On/Off Valve 1" (V-88)	004093F	004093F	004093F
2-G	Auto On/Off Valve 1-1/2" (V-88)	004095F	004095F	004095F
3-G	Bleed Line Assembly	007927F	007927F	007927F
4-G	Vent Line Assembly	007928F	007928F	007928F
5-G	Manifold-Gas Injector Nat Upper	008860F	007171F	007171F
	Manifold-Gas Injector Pro Upper	007176F	007176F	007176F
6-G	Manifold-Gas Injector Nat Lower	008794F	008795F	007929F
	Manifold-Gas Injector Pro Lower	008796F	008797F	007930F
8-G	Orifice Pilot Pro	007180F	007180F	007180F
	Orifice Pilot Nat	008826F	008826F	008826F
9-G	Regulator Gas 1" Nat Top	008869F	007932F	007932F
	Regulator Gas 1" Nat Bottom	007932F	007932F	007932F
	Regulator Gas 1" Pro	003570F	003570F	003570F
10-G	Switch Low Gas Pressure	007187F	007187F	007187F
11-G	Valve Gas Manual A 1"	007189F	007189F	007189F
12-G	Valve Gas Manual A 1-1/2"	007933F	007933F	007933F
13-G	Valve Gas Manual B	007195F	007195F	007195F
14-G	Valve Pilot Gas Nat	007196F	007196F	007196F
	Valve Pilot Gas Pro	007197F	007197F	007197F
15-G	Switch High Gas Pressure (optional) Not Shown	007188F	007188F	007188F
16-G	Gas Pressure Switch	008169F	008169F	008169F

CALL OUT	DESCRIPTION	750A	1000A	1500
<b>H</b>	<b>HEAT EXCHANGER</b>			
1-H	Heat Transfer Assy. Cupro-Nickle (Bronze Header) (Includes 17-S)	008798F	008799F	007934F
	Heat Transfer Assy. Copper (Bronze Header) (Includes 17-S)	008800F	008801F	008553F
2-H	Inlet/Outlet Header Bronze	007203F	007342F	007342F
3-H	Return Header Bronze	007204F	007204F	007204F
4-H	Tube Bundle Cupro-Nickle	N/A	N/A	N/A
	Tube Bundle Copper	N/A	N/A	N/A
5-H	Flue Baffle	N/A	N/A	N/A
6-H	Heat Shield Baffle (2 pcs)	N/A	N/A	N/A
7-H	Studbolt	006945F	006945F	006945F
8-H	Header Gasket (20 PCS)	007343F	007343F	007343F
9-H	Well-Bulb Sensor 1/2"x 3-5/16"	007211F	007211F	007211F
10-H	Drain Valve	006536F	006536F	006536F
<b>M</b>	<b>MISCELLANEOUS COMPONENTS</b>			
1-M	Flow Switch Paddle	004079F	004079F	004079F
2-M	In Line Fuse Holder (Not Shown)	007216F	007216F	007216F
3-M	Fuse 15 amp (Not Shown)	007936F	007936F	
	Fuse 20 amp (Not Shown)			008170F
4-M	Guide PC Card	007143F	007143F	007143F
5-M	Window Combustion Chamber	006947F	006947F	006947F
6-M	T & P Guage 0-75 PSI Remote Mount	N/A	N/A	N/A
	T & P Guage 0-200 PSI Remote Mount	N/A	N/A	N/A
	T & P Guage 0-75 PSI	007344F	007344F	007344F
	T & P Guage 0-200 PSI	007345F	007345F	007345F
7-M	PRV 30 PSI	007218F	007748F	007748F
	PRV 45 PSI	007346F	007221F	007751F
	PRV 60 PSI	007222F	007222F	007753F
	PRV 75 PSI	007223F	007223F	007156F
	PRV 125 PSI	007224F	007224F	007224F
	PRV 150 PSI	007225F	007225F	007225F
8-M	RTV Sealant 2.8 oz	008924F	008924F	008924F
	RTV Sealant 10 oz	005755F	005755F	005755F
9-M	Touch up Paint (Green)	750125	750125	750125
	Touch up Paint (Dark Gray)	750126	750126	750126
<b>O</b>	<b>OPTIONS (Not Shown)</b>			
1-O	Amplifier-Flame Rectification C-2	007358F	007358F	007358F
2-O	Control-Burner Flame Safeguard C-2 Ignition	007359F	007359F	007359F
3-O	Detector-UV Flame C-2	007360F	007360F	007360F
4-O	Generator-Spark C-2	007361F	007361F	007361F
5-O	Panel-Contol Mounting	007362F	007362F	007362F
6-O	Remote Sensor for Low Water Cut-Off	007228F	007228F	007228F
7-O	Low Water Cut Off PC Board	007157F	007157F	007157F
<b>P</b>	<b>PUMPS</b>			
1-P	Pump -Circulating - Bronze (Soft Water)	007226F	007227F	007351F
	Pump -Circulating - Bronze (Medium Water)	007347F	007348F	007937F
	Pump -Circulating - Bronze (Hard Water)	007350F	007351F	007937F
	Pump -Circulating - CI (Soft Water)	007232F	007233F	007357F
	Pump -Circulating- CI (Medium Water)	007353F	007354F	007938F
	Pump -Circulating- CI (Hard Water)	007356F	007357F	007938F
<b>R</b>	<b>REFRACTORY</b>			
1-R	Blanket Return Header Refractory	007241F	007241F	007241F

<b>CALL OUT</b>	<b>DESCRIPTION</b>	<b>750A</b>	<b>1000A</b>	<b>1500</b>
<b>S</b>	<b>SHEETMETAL</b>			
1-S	Jacket Top	007243F	007243F	007243F
2-S	Flue Collector Front (No opening)	007245F	007246F	007247F
3-S	Flue Collector Rear (opening)	008802F	008803F	007252F
4-S	Support Channel	007255F	007255F	007255F
5-S	Control Box Cover	007149F	007149F	007149F
6-S	Return Header Cover	007257F	007257F	007257F
7-S	Door (Lower)	008804F	008805F	007261F
8-S	Jacket Upper Front Panel	007265F	007265F	007265F
9-S	Access Panel Flue (Lower)	007268F	007269F	007270F
10-S	Access Panel Flue (Upper)	007273F	007274F	007275F
11-S	Access Panel Flue (1 Pc.) (blank-solid)	007277F	007278F	007279F
12-S	Jacket Right Side Panel	008806F	008807F	007940F
13-S	Jacket Right Side Panel Connection Option	008808F	008809F	007287F
14-S	Jacket Left Side Panel	008810F	008811F	007292F
15-S	Jacket Rear Panel	008812F	008813F	007297F
16-S	Jacket Rear Panel Connection Option	008814F	008815F	007302F
17-S	Base Assembly	007305F	007305F	007305F
18-S	Leg Bracket (4 pcs per boiler)	007306F	007306F	007306F
19-S	Base Reflector Panel	007307F	007307F	007307F
20-S	Flue Exhaust Flange Assembly	008816F	008817F	007308F
21-S	Flue Exhaust Cover	008818F	008819F	007313F
22-S	Control Box Assy	007145F	007145F	007145F
23-S	Bracket Pressure Switch MTG	007161F	007161F	007161F
24-S	Valve Pilot Mounting Bracket (Not shown)	007198F	007198F	007198F
25-S	Intake Air Cover Panel	007315F	007315F	007315F



Registered Quality Management System

**[www.raypak.com](http://www.raypak.com)**