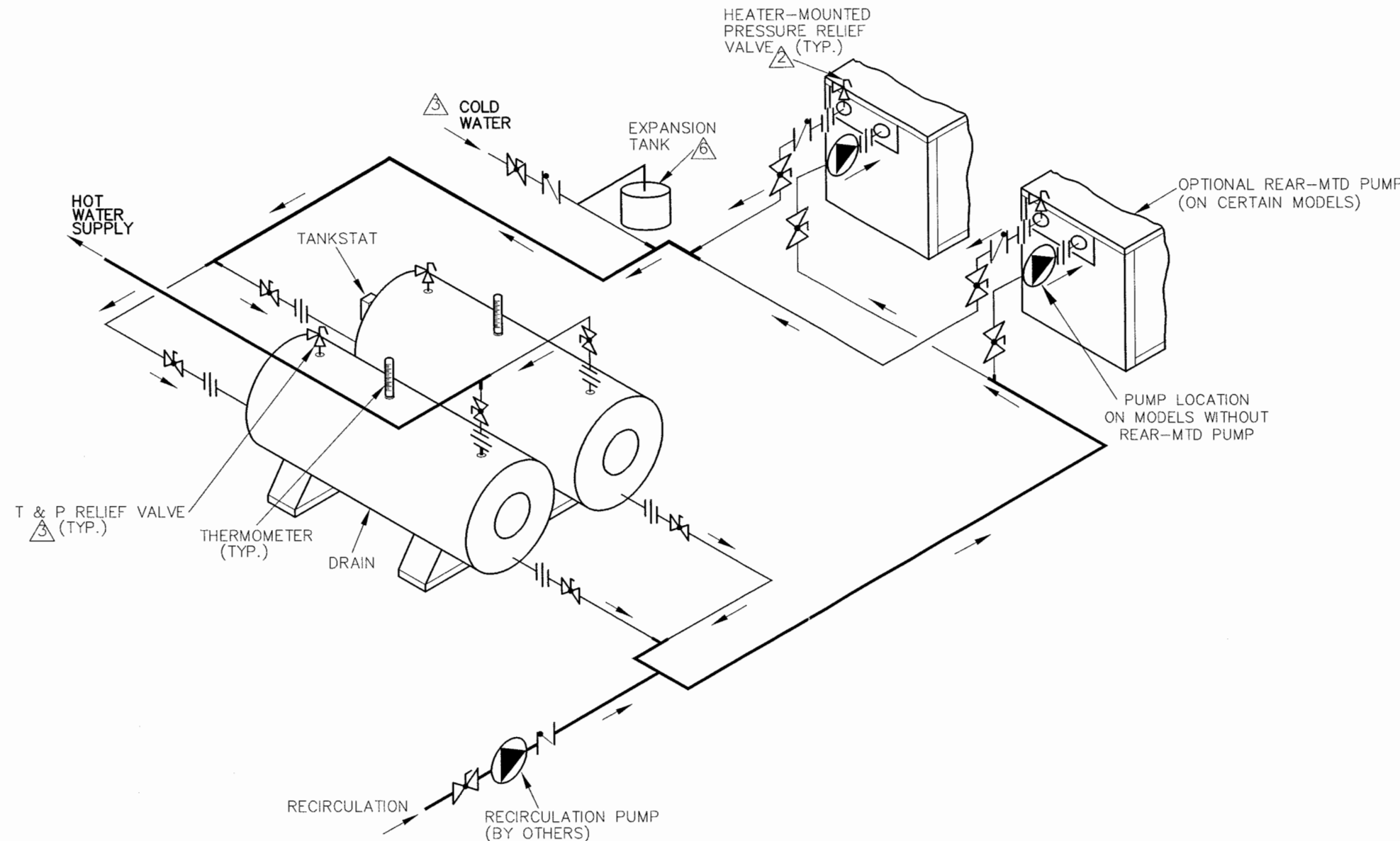


PIPE SIZES		
	HEATER	2 UNITS
181-401	1-1/2"	2"
514-824	2"	3"
926-1826	2-1/2"	3"
2100-4001	3"	4"
HD101- HD401	1-1/2"	2-1/2"
302-902	2"	3"
992-2342	2-1/2"	4"
503-754	2"	3"
1003-2004	2-1/2"	4"
2503-4003	4"	6"

THIS PIPING DIAGRAM IS RAYPAK'S RECOMMENDATION AND IS NOT INTENDED TO REPLACE AN ENGINEERED PIPING SYSTEM DESIGNED BY A PROFESSIONAL ENGINEER.

REVISIONS					
REV	DESCRIPTION	E.O.	BY	DATE	CHECK
H	ADDED 2503-4003 USAGE. NOTE 7 FROM 160F TO 150F. UPDATED FORMAT.		RAN	8-16-17	<i>[Signature]</i>



NOTES:

1. PLUMB SWING CHECK VALVE IN GRAVITY-CLOSED POSITION.
2. PIPE ALL RELIEF VALVES TO DRAIN, OR AS LOCAL CODES REQUIRE.
3. INSTALL COLD WATER BETWEEN HEATER OUTLET AND TANK.
4. SEE CHART "PIPE SIZES" FOR PIPE SIZES CALCULATED AT MAXIMUM FLOW, NOT TO EXCEED 7.5 FT/SEC.
5. STANDARD PUMP SIZING BASED ON 75 EQUIVALENT FEET OF PIPING. IF DISTANCE IS GREATER, THE PUMP MUST BE SIZED TO ACCOMMODATE INCREASE IN PIPING-RELATED LOSSES.
6. PROVIDE FOR THERMAL EXPANSION OF HOT WATER IF A BACKFLOW PREVENTER, CHECK VALVE, WATER METER OR PRESSURE-REDUCING VALVE IS INSTALLED IN THE COLD WATER LINE.
7. IF HOT WATER SETPOINT EXCEEDS 150°F, SPECIFY "H" BOILERS INSTEAD OF "WH" WATER HEATERS.

ACAD: 8034.DWG

HEATERS SHOWN REPRESENT VARIOUS MODELS. BECAUSE INDIVIDUAL MODELS WILL VARY IN DESIGN AND SIZING, SEE EACH SPECIFIC HEATER TYPE FOR DETAILS.

GUARANTEED 60% DRAW WITHOUT TEMPERATURE DROP, USE RAYPAK BOILER, TANK, SIZING TABLE AND HOOK-UP DATA

KEY	
	PRESSURE RELIEF VALVE
	PUMP
	UNION
	CHECK VALVE
	BALL VALVE
	THERMOMETER

8034	UNLESS OTHERWISE SPECIFIED: ALL UNITS ARE IN INCHES FRACTIONS ±1/32 ANGLES ±1' X. = ±.12 X.X = ±.06 X.XX = ±.03 X.XXX = ±.010 DRAFT___ WALL___ RADII___ CONCENTRICITIES .020 DIA. SQUARENESS .015 IN./IN. BREAK EDGES .015 MAX. SURFACE FINISH PER ASME Y14.36M-1996	APPROVED <i>[Signature]</i>	DATE 8/16/17		OXNARD, CALIFORNIA
	CHECKED D BALDWIN	DATE 3-1-96	E.O. SPR		SCALE NONE
	DRAWN D BALDWIN	DATE 3-1-96	RAYPAK PROPRIETARY AND CONFIDENTIAL INFORMATION This drawing contains Confidential and Proprietary Information of Raypak, Inc. All rights reserved by Raypak, Inc.		
	TITLE PIPING, UNI-TEMP 80: 2 HEATERS 2 H TANKS				
MAT'L. I	SERIES/MODEL WH	SIZE B	DWG. NO. 8034	REV H	