

D

D

C

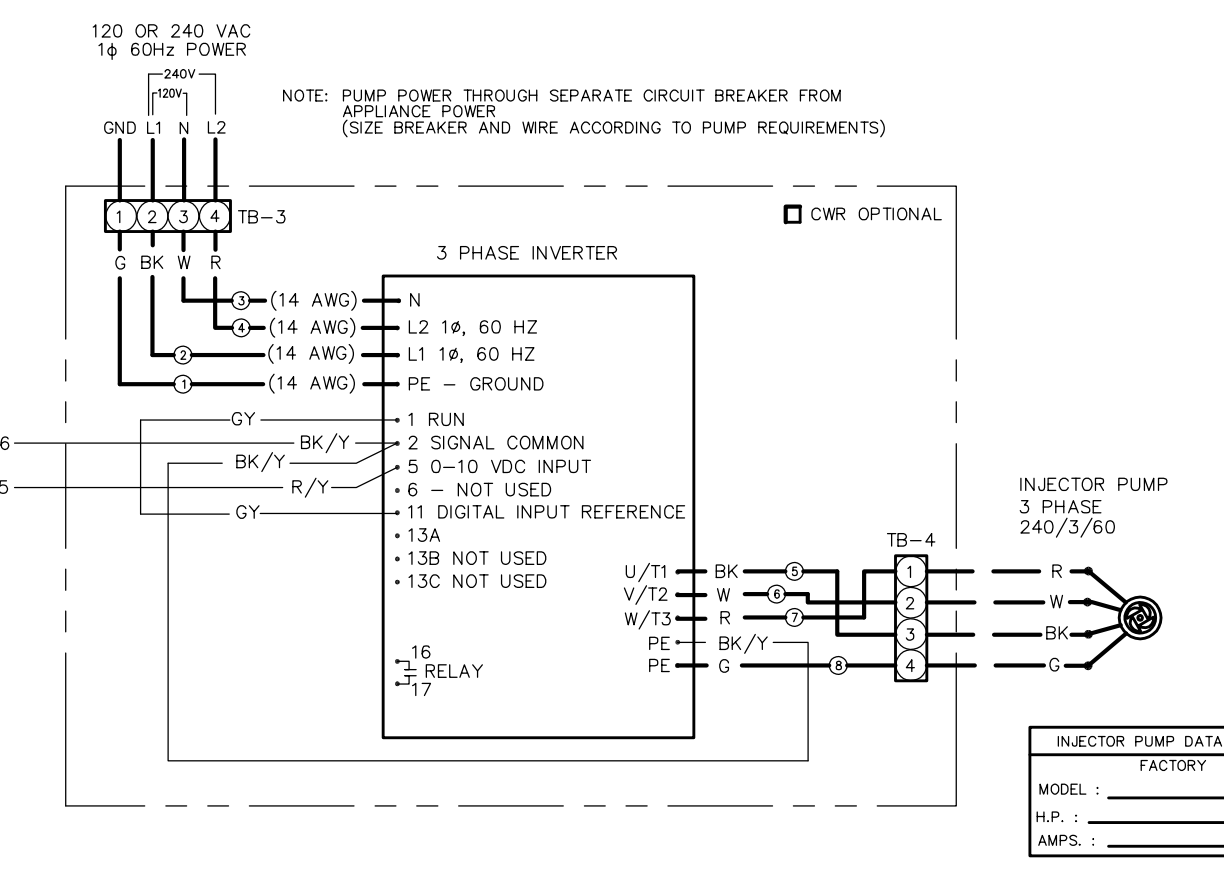
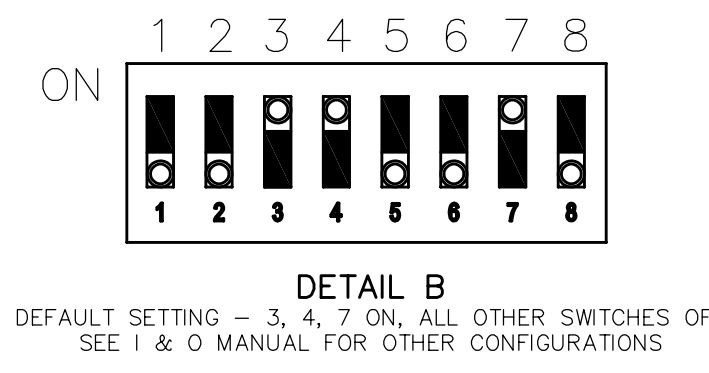
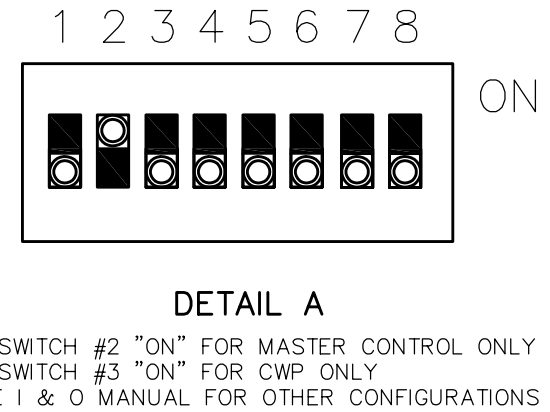
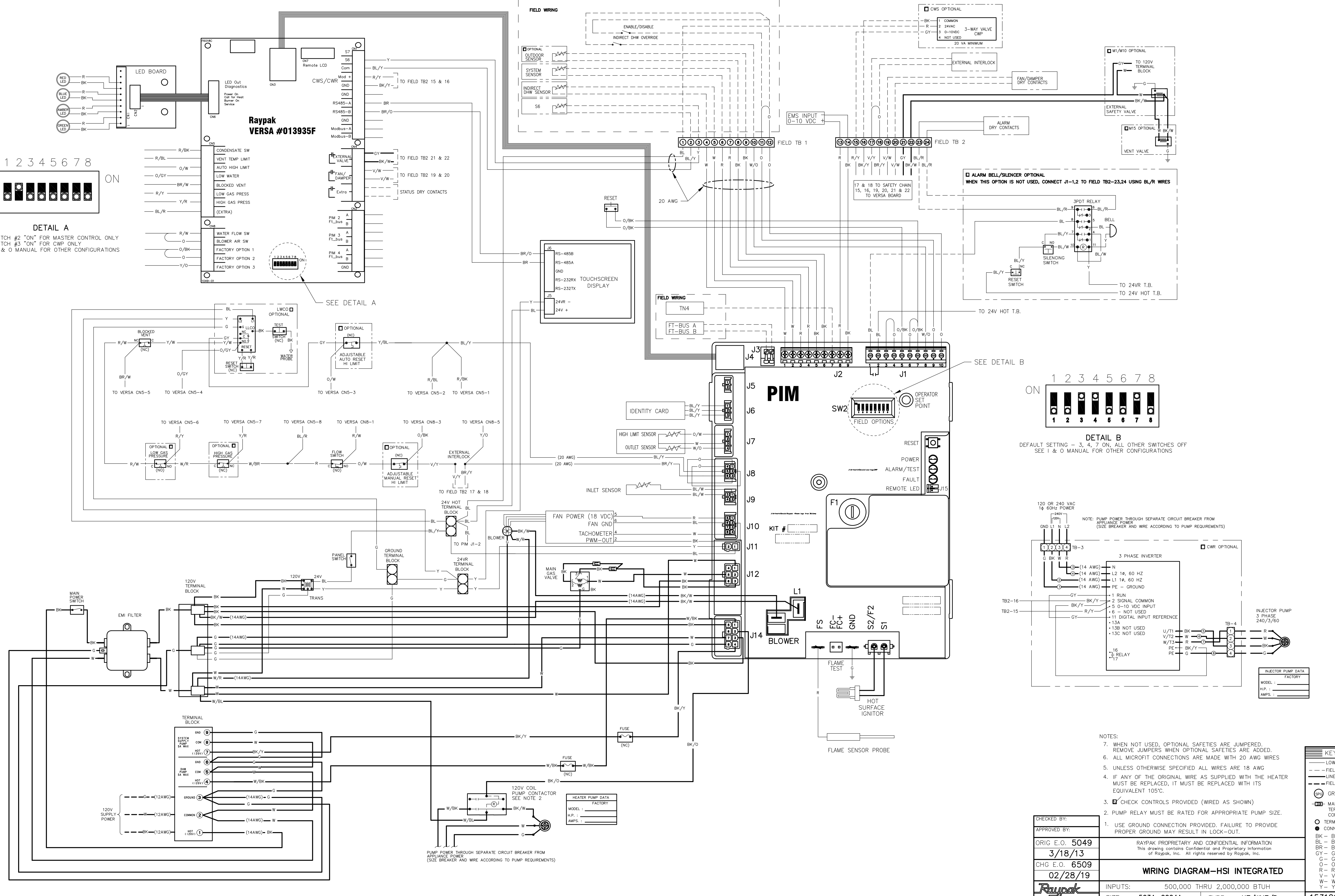
C

B

B

A

A



NOTES:

- WHEN NOT USED, OPTIONAL SAFETIES ARE JUMPED. REMOVE JUMPERS WHEN OPTIONAL SAFETIES ARE ADDED.
- ALL MICROFIT CONNECTIONS ARE MADE WITH 20 AWG WIRES.
- UNLESS OTHERWISE SPECIFIED ALL WIRES ARE 18 AWG.
- IF ANY OF THE ORIGINAL WIRE AS SUPPLIED WITH THE HEATER MUST BE REPLACED, IT MUST BE REPLACED WITH ITS EQUIVALENT 105°C.
- CHECK CONTROLS PROVIDED (WIRED AS SHOWN).
- PUMP RELAY MUST BE RATED FOR APPROPRIATE PUMP SIZE.
- USE GROUND CONNECTION PROVIDED. FAILURE TO PROVIDE PROPER GROUND MAY RESULT IN LOCK-OUT.

RAYPAK PROPRIETARY AND CONFIDENTIAL INFORMATION
This drawing contains Confidential and Proprietary Information of Raypak, Inc. All rights reserved by Raypak, Inc.

WIRING DIAGRAM—HSI INTEGRATED

CHECKED BY:	APPROVED BY:	ORIG E.O. 5049	3/18/13
CHG E.O. 6509	02/28/19	Raypak	
INPUTS:	500,000 THRU 2,000,000 BTUH	SIZE:	503A-2004A
TYPE:	H7/WH7/P	153121	9

KEY

- LOW VOLTAGE
- - - FIELD INSTALL
- LINE VOLTAGE
- - - FIELD INSTALL
- ⊕ GROUND
- ⊕ MALE/FEM TERMINAL CONN
- CONNECTION
- CONNECTION
- BL - BLACK
- BL - BLUE
- BR - BROWN
- GY - GRAY
- G - GREEN
- O - ORANGE
- R - RED
- V - VIOLET
- W - WHITE
- Y - YELLOW