

PUMP DATA	
FACTORY	FIELD
MODEL :	
H.P. :	
AMPS. :	

**NOTES: \*** USE GROUND CONNECTION PROVIDED. FAILURE TO PROVIDE PROPER GROUND MAY RESULT IN LOCK-OUT ALL GROUND  $\perp$  TERMINATE AT  $\text{SPG}$ .

\*\* PUMP USED MUST BE RATED 10 AMPS MAX OR 3/4 HP MAX. PUMP DELAY ADJUSTABLE BETWEEN 3 AND 10 MINUTES.

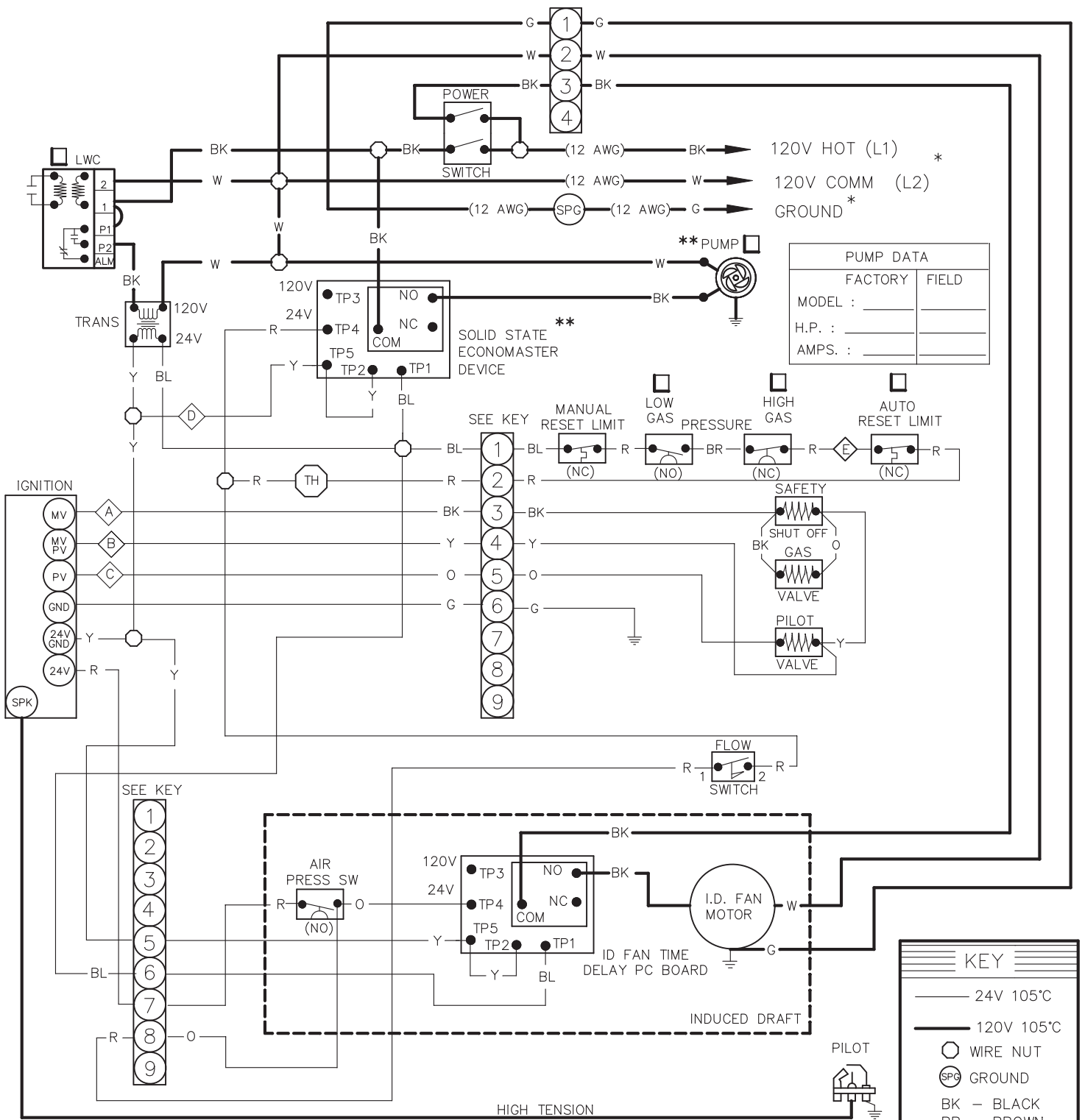
$\text{A}$  -  $\text{E}$  CONNECTIONS FOR OPTIONAL E-4 ALARM PANEL.

CHECK CONTROLS PROVIDED (WIRED AS SHOWN) REPLACE WIRING WITH 105°C WIRE ONLY

KEY										
	24V 105°C									
	120V 105°C									
	WIRE NUT									
	GROUND									
BK	BLACK									
BR	BROWN									
R	RED									
O	ORANGE									
Y	YELLOW									
G	GREEN									
BL	BLUE									
V	VIOLET									
W	WHITE									
PLUG (ACTUAL)										
<table border="1"> <tr> <td>3</td> <td>2</td> <td>1</td> </tr> <tr> <td>6</td> <td>5</td> <td>4</td> </tr> <tr> <td>9</td> <td>8</td> <td>7</td> </tr> </table>		3	2	1	6	5	4	9	8	7
3	2	1								
6	5	4								
9	8	7								
FRONT VIEW										

APPROVED BY:	<p>**</p> <p><input checked="" type="checkbox"/> CHECK CONTROLS PROVIDED (WIRED AS SHOWN) REPLACE WIRING WITH 105°C WIRE ONLY</p> <p>WIRING DIAGRAM IID/ECONOMASTER FIRING MODE - ON/OFF</p> <p>BOILER INPUTS: 825,000 THRU 1,826,000 BTUH</p> <p>BOILER SIZE: 824-1826</p>
CHECKED BY:	
ORIG E.O. 2397	
07/08/88	
CHG E.O. 5764	
06/28/17	BOILER TYPE: H4/W1
	152170

BOILER TYPE: H4/W1	152170	8
--------------------	--------	---



PUMP DATA	
FACTORY	FIELD
MODEL :	
H.P. :	
AMPS. :	

KEY										
—	24V 105°C									
—	120V 105°C									
○	WIRE NUT									
⊕	GROUND									
BK	BLACK									
BR	BROWN									
R	RED									
O	ORANGE									
Y	YELLOW									
G	GREEN									
BL	BLUE									
V	VIOLET									
W	WHITE									
PLUG (ACTUAL)										
<table border="1"> <tr> <td>3</td> <td>2</td> <td>1</td> </tr> <tr> <td>6</td> <td>5</td> <td>4</td> </tr> <tr> <td>9</td> <td>8</td> <td>7</td> </tr> </table>		3	2	1	6	5	4	9	8	7
3	2	1								
6	5	4								
9	8	7								
FRONT VIEW										

**NOTES: \*** USE GROUND CONNECTION PROVIDED. FAILURE TO PROVIDE PROPER GROUND MAY RESULT IN LOCK-OUT ALL GROUND  $\perp$  TERMINATE AT  $\oplus$ .

**\*\*** PUMP USED MUST BE RATED 10 AMPS MAX OR 3/4 HP MAX. PUMP DELAY ADJUSTABLE BETWEEN 3 AND 10 MINUTES.  
**A** - **E** CONNECTIONS FOR OPTIONAL E-4 ALARM PANEL.  
 CHECK CONTROLS PROVIDED (WIRED AS SHOWN) REPLACE WIRING WITH 105°C WIRE ONLY

APPROVED BY:
CHECKED BY:
ORIG E.O. 2397
07/08/88
CHG E.O. 5764
06/28/17
<b>Raupak</b>

WIRING DIAGRAM IID/ECONOMASTER  
 FIRING MODE - ON/OFF

BOILER INPUTS:	825,000 THRU 1,826,000 BTUH
BOILER SIZE:	824-1826
BOILER TYPE:	H4/W1

152170 | 8