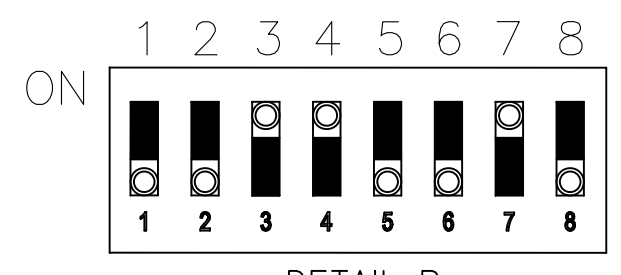
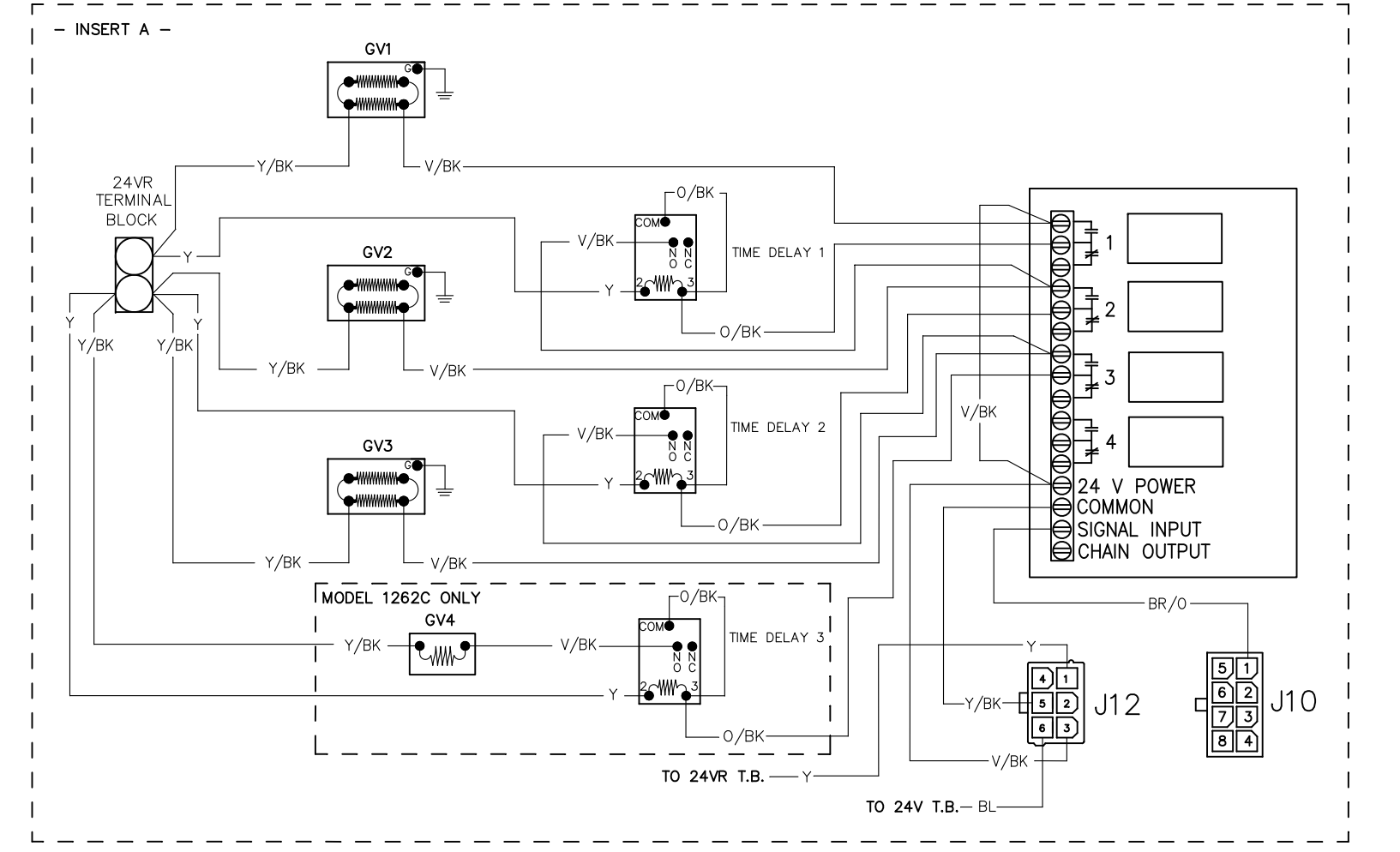


DETAIL A
 DIPSWITCH #2 "ON" FOR MASTER CONTROL ONLY
 DIPSWITCH #3 "ON" FOR CWP ONLY
 SEE I & O MANUAL FOR OTHER CONFIGURATIONS



DETAIL B
 DEFAULT SETTING - 3, 4, 7 ON, ALL OTHER SWITCHES OFF
 SEE I & O MANUAL FOR OTHER SETTINGS

FUEL	MODEL SIZE	GV1	GV2	GV3	GV4
NAT	992C	B	B	C	C
	1262C	B	A	B	C
	992C	A	A	A	C
	1262C	A	A	A	C



- NOTES:**
- WHEN NOT USED, OPTIONAL SAFETIES ARE JUMPED. REMOVE JUMPERS WHEN OPTIONAL SAFETIES ARE ADDED.
 - ALL MICROFIT CONNECTIONS ARE MADE WITH 20 AWG WIRES.
 - UNLESS OTHERWISE SPECIFIED ALL WIRES ARE 18 AWG.
 - IF ANY OF THE ORIGINAL WIRE AS SUPPLIED WITH THE HEATER MUST BE REPLACED, IT MUST BE REPLACED WITH ITS EQUIVALENT 105°C.
 - CHECK CONTROLS PROVIDED (WIRED AS SHOWN).
 - PUMP RELAY MUST BE RATED FOR APPROPRIATE PUMP SIZE.
 - USE GROUND CONNECTION PROVIDED. FAILURE TO PROVIDE PROPER GROUND MAY RESULT IN LOCK-OUT.

KEY

- LOW VOLTAGE
- - - FIELD INSTALL
- LINE VOLTAGE
- - - FIELD INSTALL
- ⊕ GROUND
- ⊕ MALE/FEM TERMINAL CONN
- TERMINAL
- CONNECTION
- BK - BLACK
- BL - BLUE
- BR - BROWN
- GY - GRAY
- G - GREEN
- O - ORANGE
- R - RED
- V - VIOLET
- W - WHITE
- Y - YELLOW

CHECKED BY:
 APPROVED BY:
 ORIG E.O. 5568
 11/07/16
 CHG E.O.
Raypak

WRING DIAGRAM-HSI INTEGRATED
 INPUTS: 990 THRU 1260 MBTUH
 SIZE: 992C - 1262C TYPE: H8/H9, WH8/WH9, P 153150 1

HEATER PUMP DATA

MODEL: _____ FACTORY
 H.P.: _____
 AMPS.: _____