

**COMMERCIAL**  
**MODELS: 203A-403A**

CATALOG NO. 9300.204  
Effective: 01-01-19  
Replaces: 07-15-16

## RAYPAK ILLUSTRATED PARTS LIST

**MODEL SIZES: 203A, 263A, 333A, 403A**

**MODEL TYPES: WH ECONOPAK**

DATES OF MANUFACTURE: 01-01-94 THROUGH 09-30-00

MODEL 203 OBSOLETE 06-01-99

MODELS 263-403 OBSOLETE 09-30-00

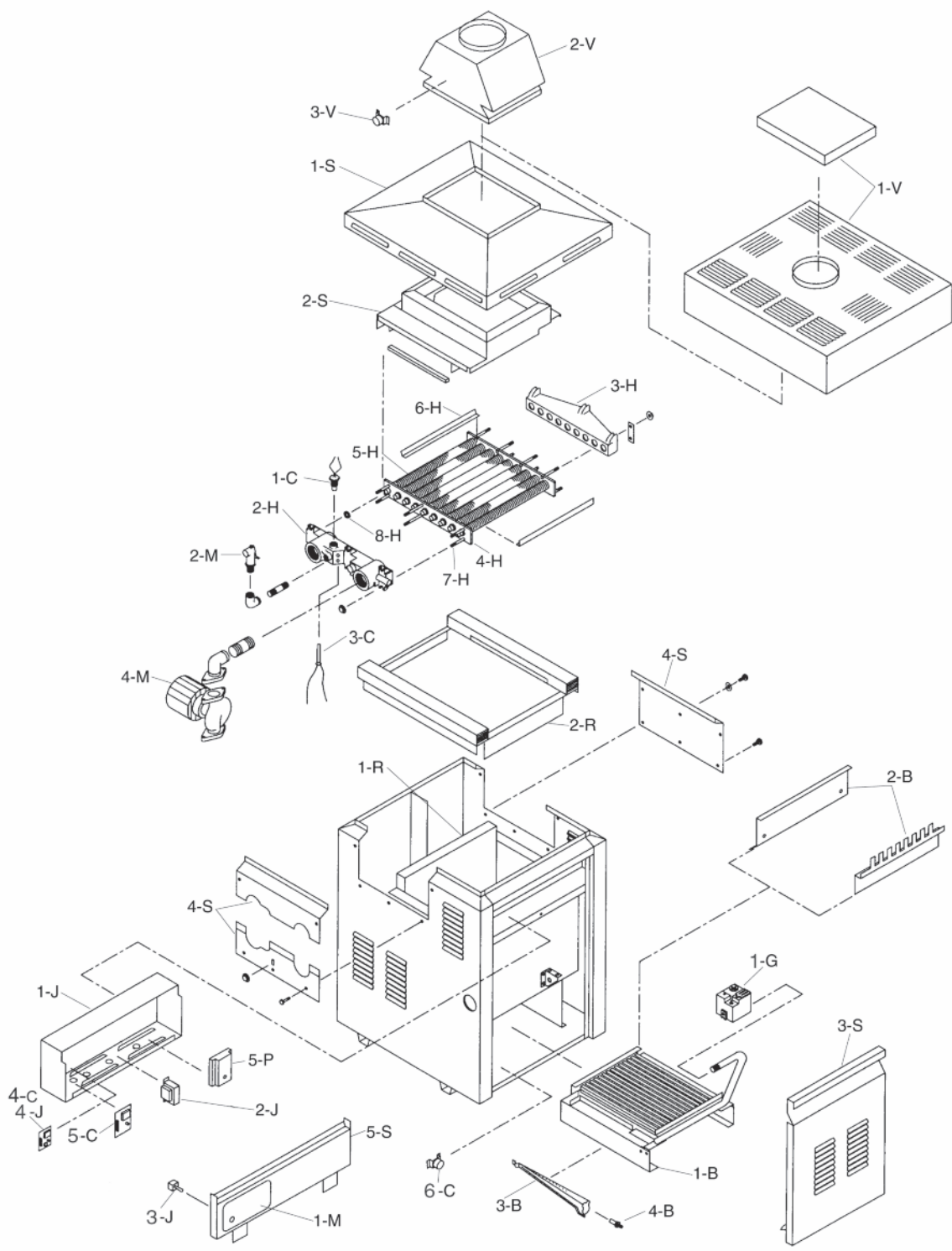
THE PARTS LISTED ARE FOR STANDARD EQUIPMENT FOR THIS MODEL TYPE. RAYPAK RESERVES THE RIGHT TO SUBSTITUTE, DELETE OR CHANGE ANY PART WITHOUT NOTIFICATION. THE ADDITION OF OPTIONS MAY ALSO CHANGE SOME OF THE PARTS. ORDER REPLACEMENT PARTS FROM ACTUAL HEATER COMPONENTS.



FOR DETAILED INSTRUCTIONS, SEE "HOW TO USE YOUR RAYPAK ILLUSTRATED PARTS LIST",  
CATALOG NO. 9001.10



Raypak, Inc., 2151 Eastman Avenue, Oxnard, CA 93030  
(805) 278-5300 Fax (800) 872-9725  
Litho In U.S.A.



Fig# 240175

HONEYWELL STANDING PILOT

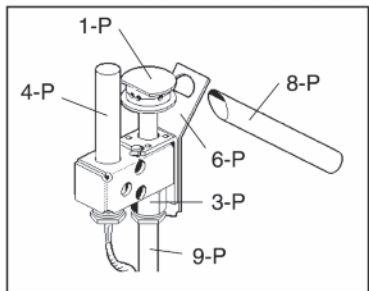


FIG #8107

HONEYWELL IID PILOT

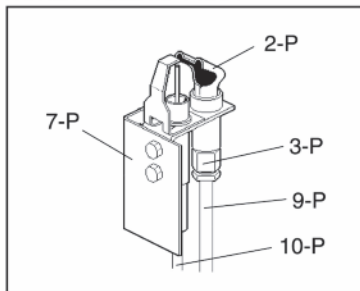


FIG #8124

CALL OUT	DESCRIPTION	203A	263A	333A	403A
<b>B</b>	<b>BURNER TRAY</b>				
1-B	Burner Tray w/Burners (Sea Level)*	004386F	004387F	004388F	004389F
	Burner Tray w/o Burners (Sea Level)*	004390F	004391F	004392F	004393F
2-B	Burner Spacer/Hold Down Bracket kit	004394F	004395F	004396F	004397F
3-B	Burner	301210/12	301210/17	301210/21	301210/26
4-B	Burner Orifice Nat. #50 (Sea Level)*	350079F/12	350079F/17	350079F/21	350079F/26
	Burner Orifice Pro. #57 (Sea Level)*	350083F/12	350083F/17	350083F/21	350083F/26
<b>C</b>	<b>CONTROLS</b>				
1-C	Manual reset Limit	008093F	008093F	008093F	008093F
2-C	Electronic Fast Response Sensor w/Probe (Not Shown)	005555F	005555F	005555F	005555F
3-C	Probe Fast Response	006532F	006532F	006532F	006532F
4-C	Electronic Fast response Sensor	005197F	005197F	005197F	005197F
5-C	Economaster II Control	004675F	004675F	004675F	004675F
6-C	Flame Roll-Out Sensor	006035F	006035F		
7-C	Tankstat (Not Shown)	007148F	007148F	007148F	007148F
<b>G</b>	<b>GAS VALVES</b>				
1-G	Valve - Comb. Step 3/4" (IID Units) Nat	003900F	003900F	003900F	003900F
	Valve - Comb. Step 3/4" (IID Units) Pro	006058F	006058F	006058F	006058F
	Valve - Combination Step 3/4" STG Nat	004868F	004868F		
	Valve - Combination Step 3/4" STG Pro	N/A	N/A		
<b>H</b>	<b>HEAT EXCHANGER</b>				
1-H	Heat Exchanger Assy Cast Iron	006060F	006061F	006062F	006063F
2-H	Inlet/Outlet Header Cast Iron	006070F	006070F	006070F	006070F
3-H	Return Header Cast Iron	002042F	002042F	002042F	002042F
4-H	Tube Bundle	002044F	002045F	002046F	002047F
5-H	Heat Exchange Tube	002048F	002049F	002050F	002051F
6-H	Baffle Kit	001299F	001300F	001301F	001302F
7-H	Carriage Bolt Kit	001303F	001303F	001303F	001303F
8-H	Header Gasket	800203B	800203B	800203B	800203B
<b>J</b>	<b>J BOX/CONTROL BOX</b>				
1-J	Control Box STD	006064F	006064F		
	Control Box IID	006065F	006065F	006065F	006065F
2-J	Transformer 40VA	006533F	006533F	006533F	006533F
3-J	Toggle Switch	008079F	008079F	008079F	008079F
4-J	Operating Limit	005197F	005197F	005197F	005197F
<b>M</b>	<b>MISCELLANEOUS</b>				
1-M	Switch Plate Std.	900842	900842		
	Switch Plate IID	900844	900844	900844	900844
2-M	PRV 125 PSI	008091F	007224F	007224F	007224F
3-M	Delimiting Kit (Not Shown)	052871F	052871F	052871F	052871F
4-M	Pump Stainless/Brass**	013425F	013425F	013425F	013425F
5-M	Vertical Thermometer	600133	600133	600133	600133
6-M	Wire/Harness Standing Pilot	006066F	006066F		
	Wire/Harness IID	006067F	006067F	006068F	006068F

\* For Altitudes above 2,000 feet above sea level, consult factory or service outlet.

\*\* For individual pump parts see separate pump parts IPL 9300.100

CALL OUT	DESCRIPTION	203A	263A	333A	403A
<b>P</b>	<b>PILOT</b>				
1-P	Pilot Nat. Standing	002001F	002001F		
	Pilot Pro. Standing	002002F	002002F		
2-P	Pilot Nat. IID	002003F	002003F	002003F	002003F
	Pilot Pro. IID	002003F	002003F	002003F	002003F
3-P	Pilot Orifice Nat. Standing	003901F	003901F		
	Pilot Orifice Pro. Standing	003902F	003902F		
	Pilot Orifice Nat. IID	003903F	003903F	003903F	003903F
	Pilot Orifice Pro. IID	601218	601218	601218	601218
4-P	Thermocouple (Standing Pilot)	600003	600003		
5-P	Ignition Control Lock. IID	004818B	004818B	004818B	004818B
6-P	Pilot Mounting Bracket Std.	306693	306693		
7-P	Pilot Mounting Bracket IID	306692	306692	306692	306692
8-P	Lighter Tube (Standing Pilot)	062996	062996		
9-P	Pilot Tube	004078F	004078F	004078F	004078F
10-P	Hi Tension Wire	002654B	002654B	002654B	002654B
	Hi Tension Wire w/ Pilot Electrode	N/A	N/A	N/A	N/A
<b>R</b>	<b>REFRACTORY</b>				
1-R	Refractory Kit	004428F	004429F	004430F	004431F
2-R	Refractory Retainer Kit	001304F	001305F	001306F	001307F
<b>S</b>	<b>SHEET METAL</b>				
1-S	Jacket Top	002066F	002067F	002068F	002069F
2-S	Flue Collector	002070F	002071F	002072F	002073F
3-S	Door Assy.	004398F	004399F	004400F	004401F
4-S	Access Panel Group	005898F	005898F	005898F	005898F
5-S	Control Panel Std.	004420F	004421F		
	Control Panel IID	004424F	004425F	004426F	004427F
<b>V</b>	<b>VENTING</b>				
1-V	Stackless Top Kit (Outdoor)	N/A	N/A	N/A	N/A
2-V	Draft Hood Kit (Indoor) w/Flue Sensor	004680	004681	003726	003727
3-V	Flue Gas Spillage Sensor	006021F	006021F		



Registered Quality Management System

[www.raypak.com](http://www.raypak.com)