

**POOL**  
**MODEL: 053B**

CATALOG NO. 9100.152  
Effective: 09-23-11  
Replaces: 12-08-08

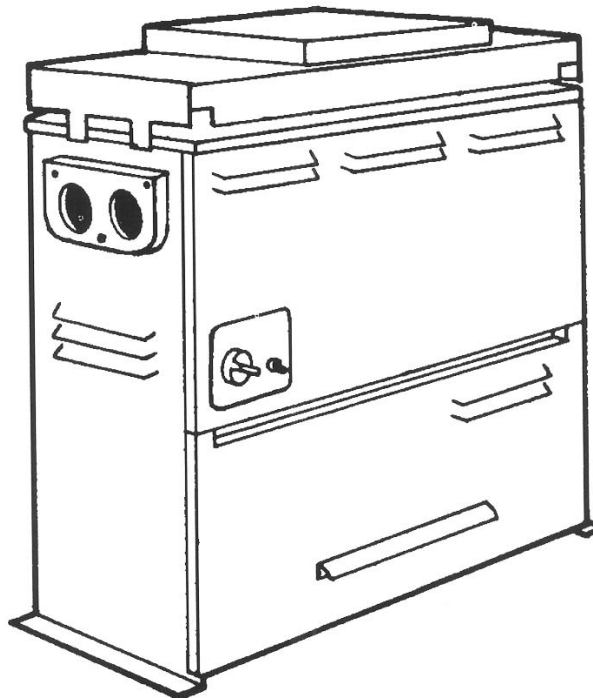
## RAYPAK ILLUSTRATED PARTS LIST

**MODEL SIZE: 053B**

**MODEL TYPE: WHG SPA PAK**

DATES OF MANUFACTURE: 01-01-86 THRU 05-01-87

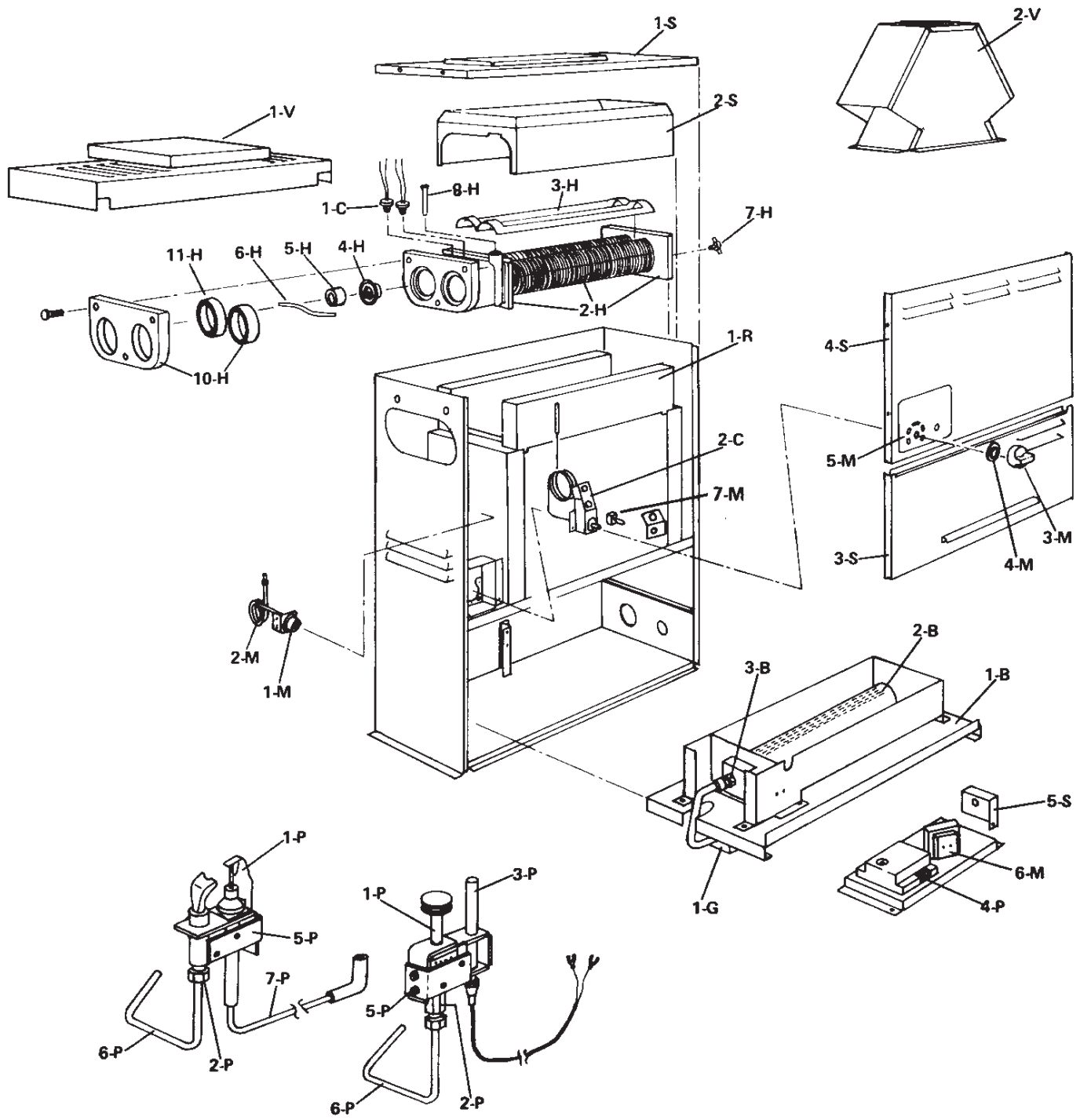
THE PARTS LISTED ARE FOR STANDARD EQUIPMENT FOR THIS MODEL TYPE. RAYPAK RESERVES THE RIGHT TO SUBSTITUTE, DELETE OR CHANGE ANY PART WITHOUT NOTIFICATION. THE ADDITION OF OPTIONS MAY ALSO CHANGE SOME OF THE PARTS. ORDER REPLACEMENT PARTS FROM ACTUAL HEATER COMPONENTS.



FOR DETAILED INSTRUCTIONS, SEE "HOW TO USE YOUR RAYPAK ILLUSTRATED PARTS LIST",  
CATALOG NO. 9001.10



Raypak, Inc., 2151 Eastman Avenue, Oxnard, CA 93030  
(805) 278-5300 Fax (800) 872-9725  
Litho In U.S.A.



<b>CALL OUT</b>	<b>DESCRIPTION</b>	<b>SPA-PAK</b>
<b>B</b>	<b>BURNER TRAY**</b>	
1-B	Burner Tray Assy. w/ Burner (Sea Level)*	N/A
2-B	Burner	N/A
3-B	Burner Orifice Nat. No. 30 (Sea Level)* Burner Orifice Pro. No. 46 (Sea Level)*	N/A N/A
<b>C</b>	<b>CONTROLS</b>	
1-C	Hi Limit 135°F Hi Limit 140°F	600889B 600890B
2-C	Thermostat Control	003346F
<b>G</b>	<b>GAS VALVES</b>	
1-G	Combination Valve 1/2" Nat. Combination Valve 1/2" Pro. Combination Valve 1/2" Nat. IID	003898F 003899F 003900F
<b>H</b>	<b>HEAT EXCHANGER</b>	
1-H	Heat Exchange Assy. Complete	N/A
2-H	Header/Tubed Kit	N/A
3-H	Baffle Kit	N/A
4-H	Unitherm Governor	600885
5-H	U. G. Sleeve	400734
6-H	U. G. Spring	850247
7-H	Drain Valve	013793F
8-H	Sensor Well	007211F
9-H	Bulb Retainer Clip	300203
10-H	Inlet/Outlet Flange	002432F
11-H	Flange Gasket	800013B
<b>M</b>	<b>MISCELLANEOUS PARTS</b>	
1-M	Pressure Switch	003651F
2-M	Pressure Switch Tube Assy.	003543F
3-M	Thermostat Knob	006885F
4-M	Knob Stop	006886F
5-M	Dialplate STD Dialplate IID	N/A N/A
6-M	Transformer (IID Unit)	006736F
7-M	Toggle Switch	650595
<b>P</b>	<b>PILOT</b>	
1-P	Pilot Nat. Pilot Pro. Pilot Nat. IID	600525B 600575B 002003F
2-P	Pilot Orifice Nat. Pilot Orifice Pro Pilot Orifice Nat. IID	003901F 003902F 003903F
3-P	Pilot Generator Standing	600019B
4-P	Ignition Control IID	004817B
5-P	Pilot Mounting Bracket	N/A
6-P	Pilot Tube	N/A
7-P	Hi Tension Wire	002654B

\*FOR ALTITUDES ABOVE 2,000 FEET ABOVE SEA LEVEL,CONSULT THE FACTORY.

\*\*REPLACEMENT BURNER TRAYS ARE BUILT FOR SEA LEVEL, NATURAL GAS APPLICATIONS UNLESS OTHERWISE SPECIFIED AT THE TIME THE ORDER IS PLACED.

CALL OUT	DESCRIPTION	SPA-PAK
<b>R</b>	<b>REFRACTORY</b>	
1-R	Refractory Block Kit	003544F
<b>S</b>	<b>SHEET METAL</b>	
1-S	Jacket Top	002525F
2-S	Flue Collector	002530F
3-S	Door Assy.	N/A
4-S	Upper Jacket Control Panel	N/A
5-S	Wiring Box	306094
<b>V</b>	<b>VENTING</b>	
1-V	Stackless Top Kit (Outdoor)	N/A
2-V	Drafthood Kit (Indoor)	003722

<b>CONVERSION KITS**</b>		
	Nat. to Pro. Standing Pilot	N/A
	Pro. to Nat. Standing Pilot	N/A
	Nat. to Pro. Electric Pilot	N/A

\*\*GAS CONVERSIONS TO BE DONE BY QUALIFIED AGENCY.  
FOR GAS CONVERSIONS, CONSULT THE FACTORY.



**ISO 9001**

Registered Quality Management System

**[www.raypak.com](http://www.raypak.com)**