

COMMERCIAL
MODEL: B130 BOOSTER

CATALOG NO. 9400.30
Effective: 03-01-16
Replaces: 01-01-16

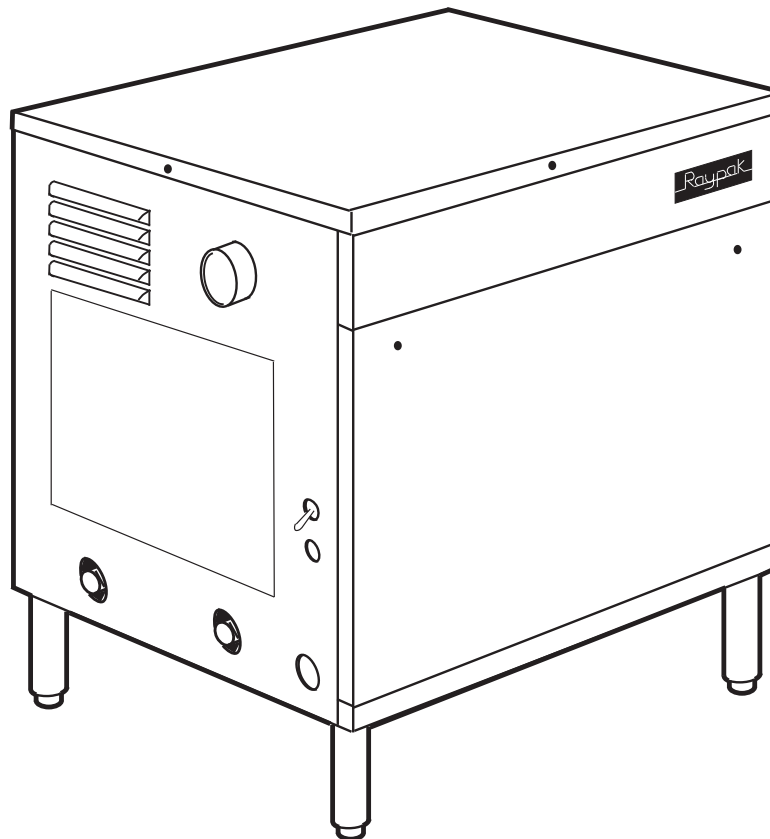
RAYPAK ILLUSTRATED PARTS LIST

MODEL SIZE: B130A

MODEL TYPE: B (BOOSTER)

DATES OF MANUFACTURE: 05-01-92 THROUGH 06-01-99

THE PARTS LISTED ARE FOR STANDARD EQUIPMENT FOR THIS MODEL TYPE. RAYPAK RESERVES THE RIGHT TO SUBSTITUTE, DELETE OR CHANGE ANY PART WITHOUT NOTIFICATION. THE ADDITION OF OPTIONS MAY ALSO CHANGE SOME OF THE PARTS. ORDER REPLACEMENT PARTS FROM ACTUAL HEATER COMPONENTS.

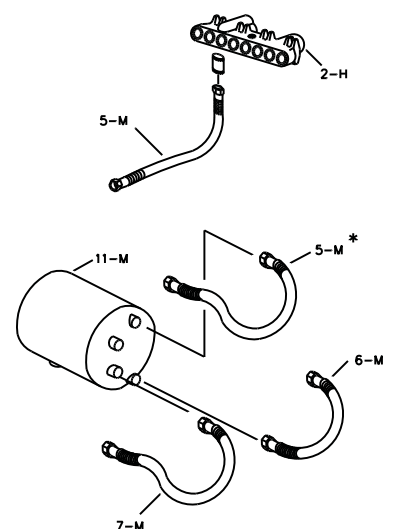
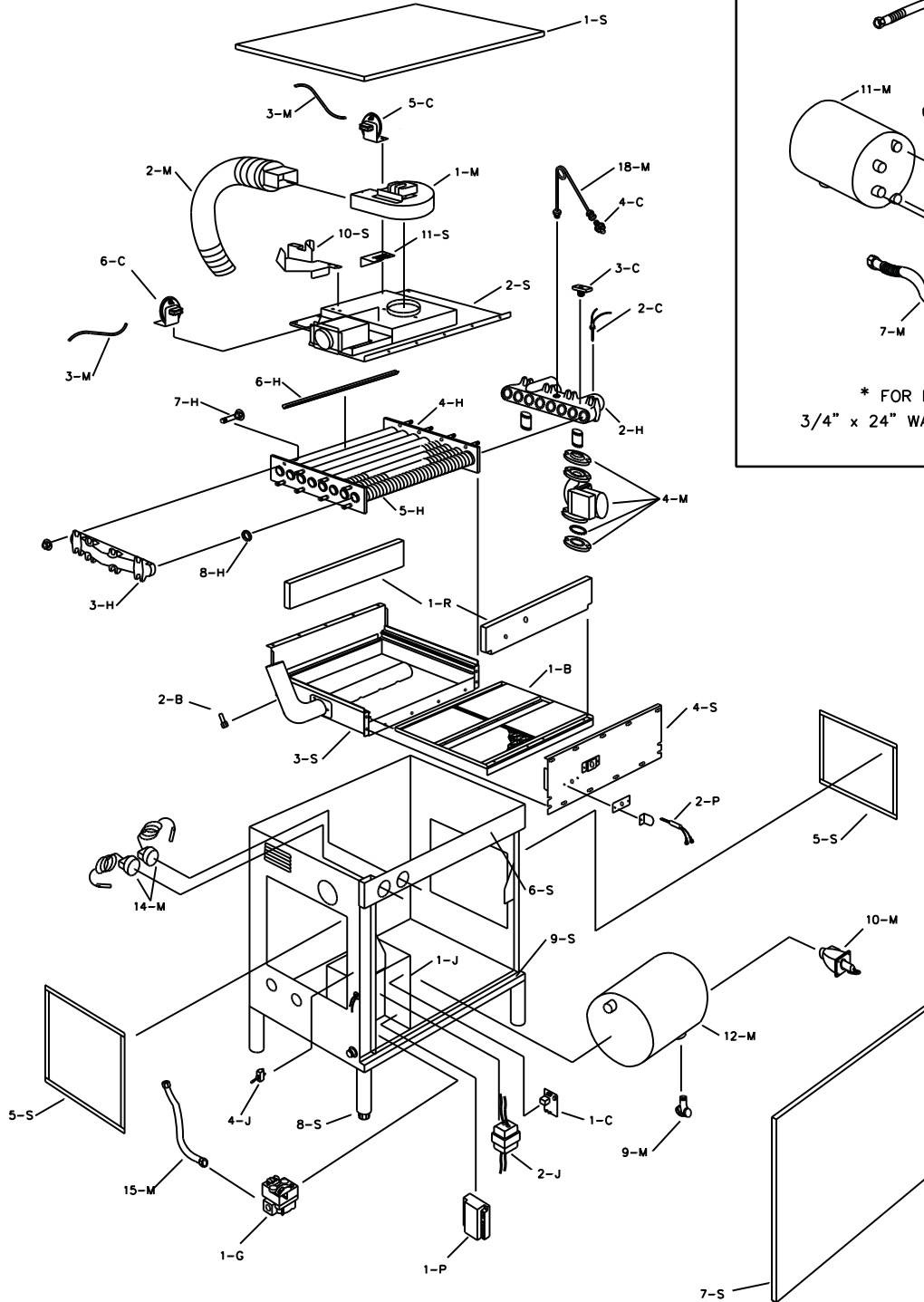


FOR DETAILED INSTRUCTIONS, SEE "HOW TO USE YOUR RAYPAK ILLUSTRATED PARTS LIST",
CATALOG NO. 9001.10



Raypak, Inc., 2151 Eastman Avenue, Oxnard, CA 93030
(805) 278-5300 Fax (800) 872-9725
Litho In U.S.A.

TANK & PLUMBING ASSEMBLY FOR
MODELS BUILT PRIOR TO 4/1/94



* FOR REPLACEMENT OF
3/4" x 24" WATER HOSE, USE 8-M

Fig. #9238

CALL OUT	DESCRIPTION	PART NO.
B	BURNER TRAY	
1-B	Burner Tray Complete	N/A
2-B	Burner Orifice Nat. #H Sea Level *	N/A
	Burner Orifice Pro #29 Sea Level *	N/A
C	CONTROLS	
1-C	Operating Limit	005197F
2-C	Probe - Sensor	006532F
3-C	Manual Reset High Limit	008093F
4-C	Water Pressure Switch ** (If Equipped)	N/A
5-C	Combustion Air Pressure Switch (N.O.)	010355F
6-C	Vent Pressure Switch (N.C.)	601169
G	GAS VALVE	
1-G	Gas Valve, Nat.	006541F
	Gas Valve, Pro.	N/A
2-G	Gas Valve Manual Shut-Off (Not Shown)	006543F
H	HEAT EXCHANGER	
1-H	Heat Exchanger Complete	N/A
2-H	Inlet/Outlet Header	N/A
3-H	Return Header	004982F
4-H	Tube Bundle	N/A
5-H	Heat Exchanger Tube	N/A
6-H	Baffle Kit	N/A
7-H	Bolt Kit	N/A
8-H	Header Gasket	005083B
M	MISCELLANEOUS	
1-M	Blower	N/A
2-M	Blower Hose	N/A
3-M	Air Pressure Switch Tubing	N/A
4-M	Pump	004990F
21-M	Pump Cartridge	951116F
22-M	Pump Flange Gasket	005191F
5-M	Water Flex Hose (S.S.) 1" x 24	N/A
6-M	Water Flex Hose-Pump/Tank (S.S.) 1" x 12	N/A
7-M	Water Flex Hose -Tank/Recirculation (S.S.) 1" x 18	N/A
8-M	Water Flex Hose-Tank/Outlet (S.S.) 3/4" x 24	N/A
9-M	Drain Valve	501520
10-M	Temp. and Pressure Relief Valve 125PSI	500569
11-M	Tank 3 Gallon Storage	N/A
12-M	Tank 3 Gallon Storage	N/A
13-M	Pressure Regulator (Not Shown)	006539F
14-M	Temperature Gauge	601157
15-M	Gas Flex Hose	N/A
16-M	Wire Harness	N/A
17-M	Delimiting Kit	052871F
18-M	Pressure Switch Tube	N/A
19-M	Silicone Rubber Sealant (10 oz)	005755F
20-M	Inspection Window	005193F
21-M	Manifold Seal Gasket (Not Shown)	007443F

* For Altitudes Above 2000 Feet Above Sea Level, Consult Factory.

** First Booster Without Water Pressure Switch, Serial #9505012667

CALL OUT	DESCRIPTION	PART NO.
J	CONTROL BOX	
1-J	Control Box Complete (Includes 1-C, 1-P)	N/A
2-J	Transformer 24/120, 50VA	006533F
4-J	Switch, On/Off	006531F
P	PILOT	
1-P	Ignition Control Module****	005703F
2-P	Hot Surface Ignitor ***	005329F
R	REFRACTORY	
1-R	Refractory Kit	N/A
S	SHEETMETAL	
1-S	Jacket Top (S. S.)	N/A
2-S	Flue Collector/Plenum	N/A
3-S	Combustion Box	N/A
4-S	Combustion Box Front Panel Kit	N/A
5-S	Access Panel	N/A
6-S	Up Front Control Panel w/Gauge Holes (S.S.)	N/A
	Up Front Control Panel w/o Gauge Holes	N/A
7-S	Door (S.S.)	N/A
8-S	Leg (1)	006217F
9-S	Lower Front Jacket Support (S.S.)	N/A
10-S	Blower Hose Bracket	N/A
11-S	Air Baffle	N/A

***For Replacement of Large Diameter Ignitor with Mini Ignitor Use Kit #N/A

****First Booster with Proof of Ignition Control Module Serial #9506014475

CONVERSION KITS **	PART NO.
Flexible Water Tubing to Rigid Water Plumbing	N/A
Standard Ignition Control To Proof Of Ignition Control	N/A

** Gas Conversions are to be done only by a qualified agency.



ISO 9001

Registered Quality Management System

www.raypak.com