

PUMP DATA	
FACTORY	FIELD
MODEL:	
H.P.:	
AMPS:	

KEY		
—	24V 105°C	
—	120V 105°C	
○	WIRE NUT	
⊕	GROUND	
BK	BLACK	
BR	BROWN	
R	RED	
O	ORANGE	
Y	YELLOW	
G	GREEN	
BL	BLUE	
V	VIOLET	
W	WHITE	
PLUG (ACTUAL)		
3	2	1
6	5	4
9	8	7
FRONT VIEW		

NOTES: * **USE GROUND CONNECTION PROVIDED. FAILURE TO PROVIDE PROPER GROUND MAY RESULT IN LOCK-OUT ALL GROUND \perp TERMINATE AT \oplus SPG.**

** PUMP USED MUST BE RATED 10 AMPS MAX OR 3/4 HP MAX. PUMP DELAY ADJUSTABLE BETWEEN 3 AND 10 MINUTES.

⊕ — ⊕ CONNECTIONS FOR OPTIONAL E-4 ALARM PANEL.

CHECK CONTROLS PROVIDED (WIRED AS SHOWN) REPLACE WIRING WITH 105°C WIRE ONLY

CHECKED BY:	
APPROVED BY:	
ORIG E.O.	2567
	04/07/90
CHG E.O.	5764
	06/28/17

WIRING DIAGRAM IID DUAL PILOT ECONOMASTER FIRING MODE — MECHANICAL MODULATION

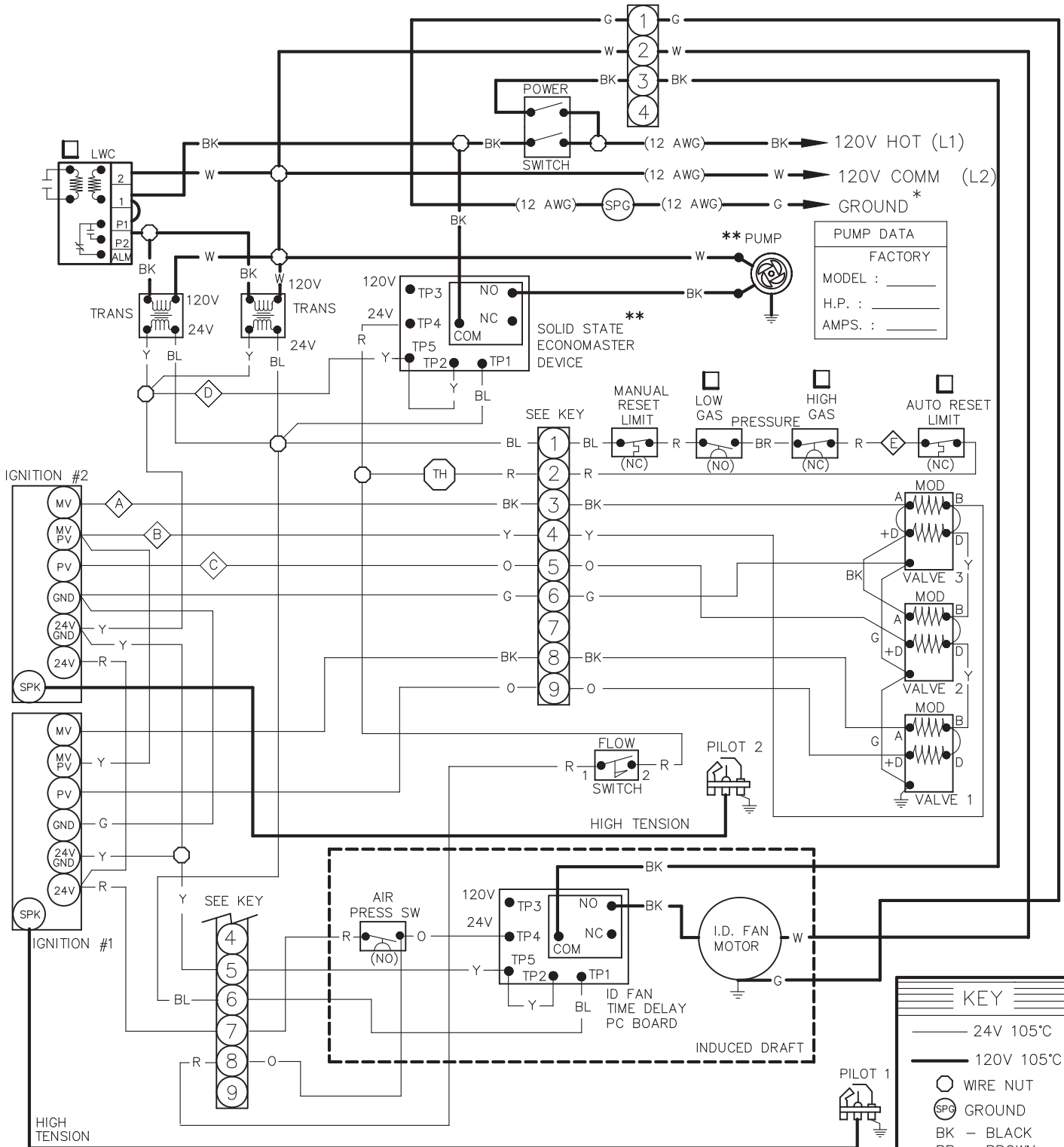
BOILER INPUTS: 1,413,000 THRU 1,826,000 BTUH

BOILER SIZE: **1414-1826**

BOILER TYPE: **H1, H5, W2**

152277 | **8**





PUMP DATA	
FACTORY	
MODEL :	_____
H.P. :	_____
AMPS. :	_____

KEY		
— 24V 105°C		
— 120V 105°C		
○	WIRE NUT	
⊕	GROUND	
BK	BLACK	
BR	BROWN	
R	RED	
O	ORANGE	
Y	YELLOW	
G	GREEN	
BL	BLUE	
V	VIOLET	
W	WHITE	
PLUG (ACTUAL)		
3	2	1
6	5	4
9	8	7
FRONT VIEW		

NOTES: * USE GROUND CONNECTION PROVIDED. FAILURE TO PROVIDE PROPER GROUND MAY RESULT IN LOCK-OUT ALL GROUND ⊕ TERMINATE AT SPG.

****** PUMP USED MUST BE RATED 10 AMPS MAX OR 3/4 HP MAX. PUMP DELAY ADJUSTABLE BETWEEN 3 AND 10 MINUTES.
 ⓐ - ⓔ CONNECTIONS FOR OPTIONAL E-4 ALARM PANEL.
 CHECK CONTROLS PROVIDED (WIRED AS SHOWN) REPLACE WIRING WITH 105°C WIRE ONLY

CHECKED BY:
APPROVED BY:
ORIG E.O. 2567
04/07/90
CHG E.O. 5764
06/28/17
Raupak

WIRING DIA IID (2) PILOT ECONO INDUCED DRAFT FIRING MODE - MECHANICAL MODULATION	
BOILER INPUTS:	1,413,000 THRU 1,826,000 BTUH
BOILER SIZE:	1414-1826
BOILER TYPE:	H1, H5, W2

152277 | 8