

COMMERCIAL
MODELS: 30B THROUGH 180B

CATALOG NO. 9300.9.1
Effective: 12-15-18
Replaces: 03-15-17

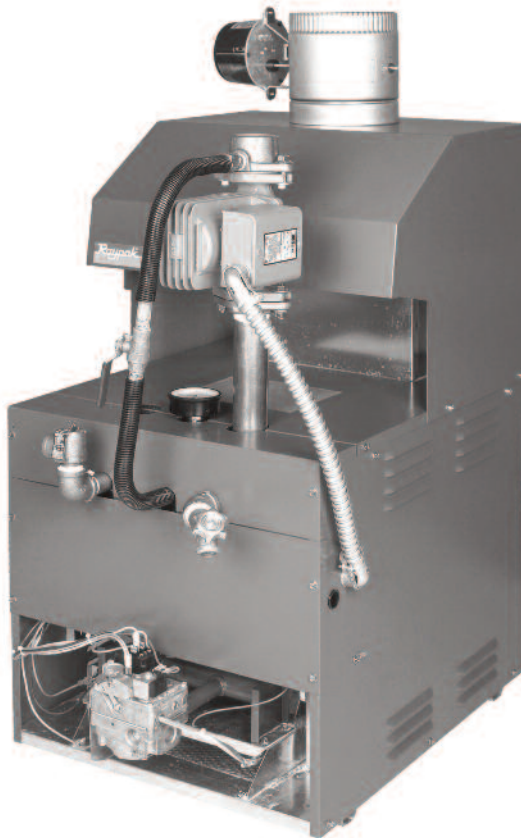
RAYPAK ILLUSTRATED PARTS LIST

MODEL SIZES: 30B, 42B, 66B, 90B, 135B & 180B

MODEL TYPE: H3 & H4

DATES OF MANUFACTURE: 10-01-90 THROUGH 8-31-12 STANDING PILOT
10-01-90 THROUGH 8-11-94 HSI IGNITION
08-12-94 THROUGH CURRENT IID IGNITION
MODEL 30B 10-01-90 THROUGH 12-31-00

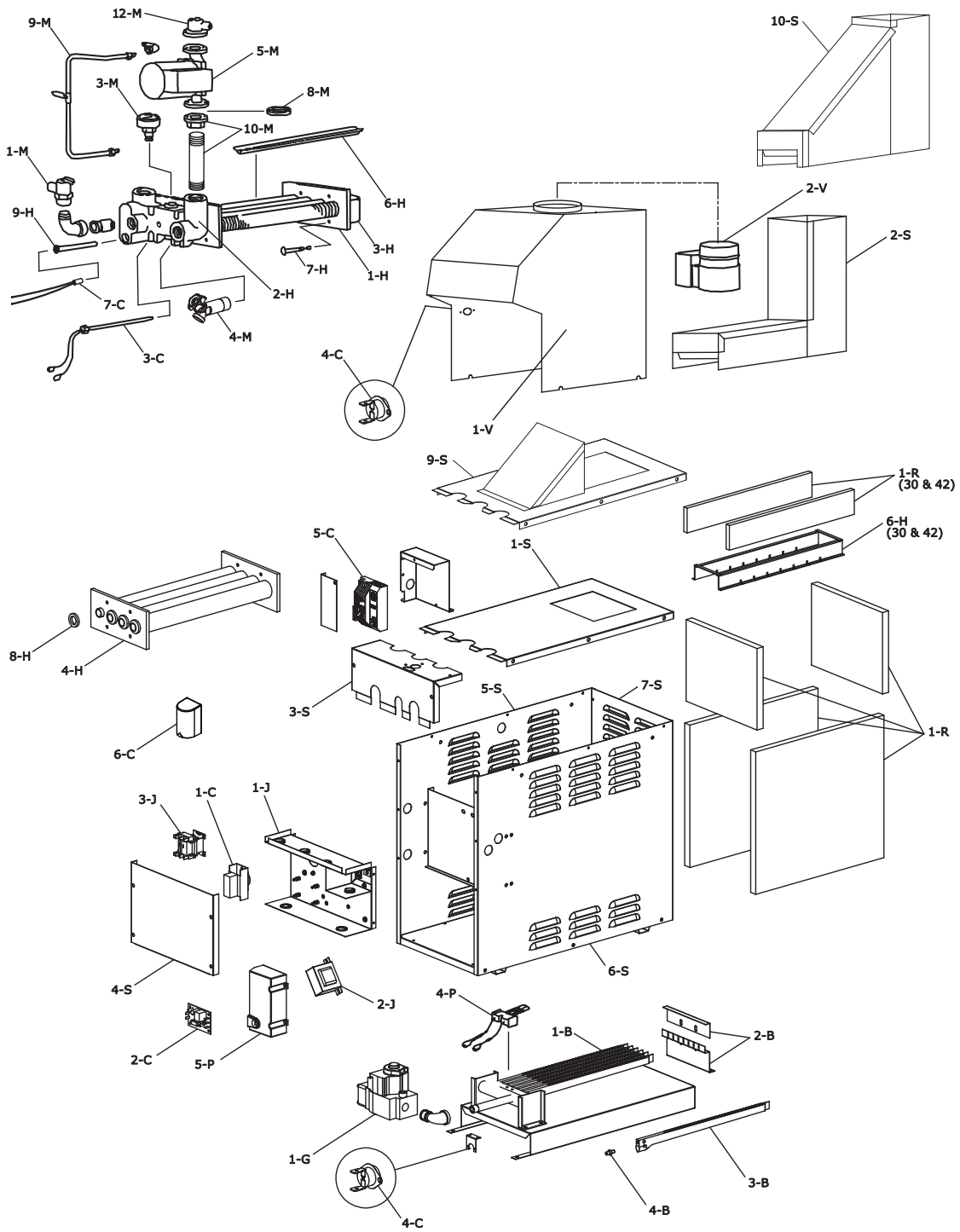
THE PARTS LISTED ARE FOR STANDARD EQUIPMENT FOR THIS MODEL TYPE. RAYPAK RESERVES THE RIGHT TO SUBSTITUTE, DELETE OR CHANGE ANY PART WITHOUT NOTIFICATION. THE ADDITION OF OPTIONS MAY ALSO CHANGE SOME OF THE PARTS. ORDER REPLACEMENT PARTS FROM ACTUAL HEATER COMPONENTS.



FOR DETAILED INSTRUCTIONS, SEE "HOW TO USE YOUR RAYPAK ILLUSTRATED PARTS LIST",
CATALOG NO. 9001.10



Raypak, Inc., 2151 Eastman Avenue, Oxnard, CA 93030
(805) 278-5300 Fax (800) 872-9725
Litho In U.S.A.
Part No. 241414



HONEYWELL STANDING PILOT

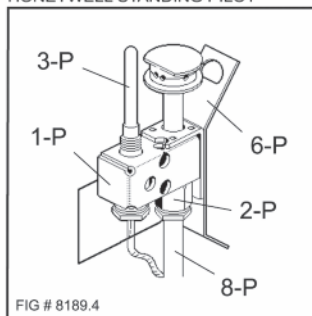


FIG # 8189.4

ROBERTSHAW STANDING PILOT

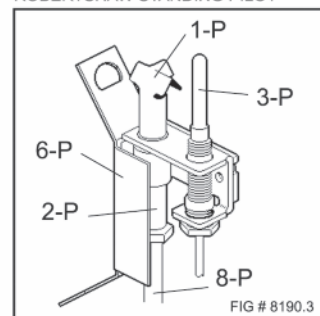


FIG # 8190.3

CALL OUT	DESCRIPTION	30B	42B	66B	90B	135B	180B
B BURNER TRAY							
1-B	Burner Tray w/o Gas Valve (Sea Level) *	003938F	003939F	004513F	003940F	004227F	004228F
	Burner Tray w/ Gas Valve Nat. STG	004801F	004753F	004761F	004769F	004805F	004793F
	Burner Tray w/ Gas Valve Nat. STG 2 Stage				007051F		
	Burner Tray w/ Gas Valve Pro. STG	004802F	004754F	004762F	004770F	004806F	004794F
	Burner Tray w/ Gas Valve Pro. STG 2 Stage				007052F		
	Burner Tray w/ Gas Valve Nat. HSI	N/A	N/A	N/A	N/A	N/A	N/A
	Burner Tray w/ Gas Valve Pro. HSI	N/A	N/A	N/A	N/A	N/A	N/A
	Burner Tray w/Gas Valve Nat. IID	005449F	005451F	005453F	005455F	005457F	005459F
	Burner Tray w/Gas Valve Pro. IID	005450F	005452F	005454F	005456F	005458F	005460F
2-B	Burner Spacer/Holddown	003941F	003941F	003942F	003942F	004229F	004230F
3-B	Burner	301210/3	301210/3	301210/7	301210/7	301210/11	301210/15
4-B	Burner Orifice Nat. (Sea Level) *	350347F/3	350079F/3	350347F/7	350080F/7	350080F/11	350080F/15
	Burner Orifice Pro. (Sea Level) *	350353F/3	350083F/3	350353F/7	350350F/7	350351F/11	350351F/15
C CONTROLS							
1-C	Auto Reset High Limit 240F	014307F	014307F	014307F	014307F	014307F	014307F
	Staged Controller				007392F	007392F	007392F
2-C	Electronic Fast Response Sensor w/Probe	003943F	003943F	003943F	003943F	003943F	003943F
3-C	Probe Fast Response	601017	601017	601017	601017	601017	601017
4-C	Roll-Out/Flue Sensor	006021F	006021F	006021F	006021F	006021F	006021F
5-C	Staged Controller w/Outdoor Reset B-42						
	Units manufactured from 9/1/12	N/A	014279F	014279F	014279F	014279F	014279F
6-C	Sensor Outdoor Air B-32	N/A	010786F	010786F	010786F	010786F	010786F
7-C	Sensor Water						
	Sensor Water (Tekmar)	N/A	010787F	010787F	010787F	010787F	010787F
G GAS VALVES							
1-G	Natural Gas Std. Honeywell**	601009	601009	601009	601009		
	Propane Gas Std. Honeywell	004825F	004825F	004825F	004825F		
	Natural Gas Std. Robertshaw	601009	601009	601009	601009		
	Propane Gas Std. Robertshaw On/Off	004825F	004825F	004825F	004825F		
	Natural Gas Std. Robertshaw 2 Stage				004824F	004824F	004824F
	Propane Gas Std. Robertshaw 2 Stage				004825F	004825F	004825F
	Natural Gas HSI Honeywell	N/A	N/A	N/A	N/A		
	Propane Gas HSI Honeywell	N/A	N/A	N/A	N/A		
	Natural Gas HSI Robertshaw	N/A	N/A	N/A	N/A	N/A	N/A
	Propane Gas HSI Robertshaw	N/A	N/A	N/A	N/A	N/A	N/A
	Natural Gas IID Honeywell On/Off	N/A	N/A	N/A	N/A	N/A	N/A
	Propane Gas IID Honeywell On/Off	N/A	N/A	N/A	N/A	N/A	N/A
	Natural Gas IID Robertshaw On/Off	005461F	005461F	005461F	005461F		
	Propane Gas IID Robertshaw On/Off	005462F	005462F	005462F	005462F		
	Natural Gas IID Robertshaw 2 Stage				005463F	005463F	005463F
	Propane Gas IID Robertshaw 2 Stage				005464F	005464F	005464F
	Natural Gas IID Robertshaw 2 Stage				005463F	005463F	005463F
	Propane Gas IID Robertshaw 2 Stage				005464F	005464F	005464F
H HEAT EXCHANGER							
1-H	Heat Exchanger Cast Iron	003945F	003945F	003946F	003946F	004231F	004232F
	Heat Exchanger Brass	N/A	N/A	N/A	N/A	N/A	N/A
2-H	Inlet/Outlet Header Cast Iron	003950F	003950F	003952F	003952F	004235F	004236F
	Inlet/Outlet Header Brass	N/A	N/A	N/A	N/A	N/A	N/A
3-H	Return Header Cast Iron	003954F	003954F	003956F	003956F	004239F	004240F
	Return Header Brass	N/A	N/A	N/A	N/A	N/A	N/A
4-H	Tube Bundle ¹	003959F	003959F	003960F	003960F	004243F	004244F
5-H	Heat Exchanger Tube	003961F	003961F	003961F	003961F	003961F	003961F
6-H	Baffle Kit	003963F	003963F	003964F	003964F	004245F	004246F
7-H	Carriage Bolt Kit	N/A	N/A	N/A	N/A	N/A	N/A
	Stud Bolt	007912F	007912F	007912F	007912F	007911F	007911F
8-H	Header Gasket	800203B	800203B	800203B	800203B	800203B	800203B
9-H	Sensor Well	007211F	007211F	007211F	007211F	007211F	007211F
10-H	Well Retaining Clip	300203	300203	300203	300203	300203	300203
J CONTROL BOX							
1-J	Control Box Std. (Complete)	003966F	003966F	003966F	003966F	004249F	004249F
	Control Box Std. 2 Stage (Complete)				007021F	007023F	007023F
	Control Box HSI (Complete)	N/A	N/A	N/A	N/A	N/A	N/A
	Control Box IID Nat/Lock (Complete)						
	Units manufactured from 8/1/98	005465F	005465F	005465F	005465F	005466F	005466F
	Control Box IID Nat/Lock 2 Stage (Complete)						
	Units manufactured prior to 9/1/12	005465F	005465F	005465F	007022F	007024F	007024F
	Units manufactured from 9/1/12	N/A	005465F	005465F	005465F	014308F	014308F
2-J	Transformer	650691	650691	650691	650691	650691	650691
3-J	Relay DPST	007376F	007376F	007376F	007376F	007376F	007376F
M MISCELLANEOUS							
1-M	PRV 30 PSI	501410	501410	501410	501410	501410	501410
2-M	Delimiting Kit	052871F	052871F	052871F	052871F	052871F	052871F
3-M	T & P Gauge 0-90 PSI	007205F	007205F	007205F	007205F	007205F	007205F
4-M	Drain Valve	006536F	006536F	006536F	006536F	006536F	006536F
5-M	Pump Inline Taco ²	003968F	003968F	003968F	004251F	005097F	005097F
	Pump Inline Taco Brass ²	007340F	007340F	007340F	007340F	007333F	007333F
	Pump Inline Grundfos					004714F	004714F
6-M	Pump Cartridge (Taco)	951116F	951116F	951116F	951116F	951166F	951166F
10-M	Pump Flange Outlet BR	013503F	013503F	013503F	013503F	013504F	013504F
	Pump Flange Outlet CI	013487F	013487F	013487F	013487F	013488F	013488F
12-M	Pump Flange Inlet BR	015086F	015086F	015086F	015086F	015087F	015087F
	Pump Flange Inlet CI	009063F	009063F	009063F	009063F	009064F	009064F
7-M	Wire/Harness Std.	003969F	003969F	003969F	003969F	004256F	004256F
	Wire/Harness Std. 2 Stage				007044F	007044F	007044F
	Wire/Harness HSI Honeywell	N/A	N/A	N/A	N/A	N/A	N/A
	Wire/Harness HSI Fenwal	N/A	N/A	N/A	N/A	N/A	N/A
	Wire/Harness IID	005602F	005602F	005602F	005602F	005603F	005603F
	Wire/Harness IID 2 Stage				007045F	007045F	007045F
8-M	Flange Gasket	009063F	009063F	009063F	009063F	009064F	009064F
9-M	Bypass Group	009065F	009065F	009065F	009065F	009066F	009066F
11-M	Touch-up Paint						
	Green	750125	750125	750125	750125	750125	750125
	Cool Dark Gray	N/A	750256	750256	750256	750256	750256
	Warm Dark Gray	N/A	750258	750258	750258	750258	750258
13-M	Combustion Chamber Insulation (Not Shown)	N/A	N/A	015742F	015742F	015743F	015744F

**Honeywell gas valve no longer available. Replacement is Robertshaw.

*For altitudes above 2,000 feet above sea level, consult factory.

¹Number of tubes varies for each model size.

²For individual pump parts see separate pump parts IPL 9300.100

Note: Boilers manufactured after August 11, 1994, Serial #9408116901 or later, have IID ignition in lieu of HSI ignition.

CALL OUT	DESCRIPTION	30B	42B	66B	90B	135B	180B
P	PILOT						
1-P	Pilot Nat. Std.	003972F	003972F	003972F	003972F	003972F	003972F
	Pilot Pro. Std.	003973F	003973F	003973F	003973F	003973F	003973F
	Pilot Nat. IID	005467F	005467F	005467F	005467F	005467F	005467F
	Pilot Pro. IID	005468F	005468F	005468F	005468F	005468F	005468F
2-P	Pilot Orifice Nat. Std.	003974F	003974F	003974F	003974F	003974F	003974F
	Pilot Orifice Pro Std.	003975F	003975F	003975F	003975F	003975F	003975F
	Pilot Orifice Nat. IID	003903F	003903F	003903F	003903F	003903F	003903F
	Pilot Orifice Pro. IID	004308F	004308F	004308F	004308F	004308F	004308F
3-P	Pilot Thermocouple	600003	600003	600003	600003	600003	600003
4-P	Hot Surface Ignitor HSI	N/A	N/A	N/A	N/A	N/A	N/A
5-P	Ignition Control HSI Honeywell	N/A	N/A	N/A	N/A	N/A	N/A
	Ignition Control HSI Fenwal	N/A	N/A	N/A	N/A	N/A	N/A
	Ignition Control IID Honeywell	004935F	004935F	004935F	004935F	004935F	004935F
6-P	Pilot Mtg. Bracket	306239	306239	306239	306239	306239	306239
8-P	Pilot Tube	004078F	004078F	004078F	004078F	004078F	004078F
9-P	High Tension Wire IID	002654B	002654B	002654B	002654B	002654B	002654B
	High Tension Wire w/Pilot Electrode	N/A	N/A	N/A	N/A	N/A	N/A
R	REFRACTORY						
1-R	Refractory Kit	003977F	003977F	003978F	003978F	004259F	004260F
S	SHEETMETAL						
1-S	Jacket-Top (Small Opening)						
	Green	003979F	003979F	003980F	003980F	004261F	004268F
	Warm Dark Gray	N/A	014184F	014185F	014185F	014186F	014187F
9-S	Jacket Top (Large Opening)	N/A	N/A	015722F	015722F	015723F	015724F
2-S	Flue Collector	003981F	003981F	003982F	003982F	004262F	004263F
10-S	Flue Collector	N/A	N/A	015728F	015728F	015729F	015730F
3-S	Access Panel						
	Green	003983F	003983F	003983F	003983F	004264F	004264F
	Warm Dark Gray	N/A	014291F	014291F	014291F	014292F	014292F
4-S	Control Panel Cover						
	Green	003984F	003984F	003984F	003984F	004265F	004265F
	Warm Dark Gray	N/A	014190F	014190F	014190F	014191F	014191F
5-S	Jacket Side Left						
	Green	009170F	009170F	009170F	009170F	009170F	009170F
	Cool Dark Gray	N/A	014192F	014192F	014192F	014192F	014192F
6-S	Jacket Side Right						
	Green	009171F	009171F	009171F	009171F	009171F	009171F
	Cool Dark Gray	N/A	014193F	014193F	014193F	014193F	014193F
7-S	Jacket Rear						
	Green	009172F	009172F	009172F	009172F	009173F	009173F
	Cool Dark Gray	N/A	014194F	014194F	014194F	014195F	014195F
8-S	Gas Valve Cover (Not Shown)						
	Green	004706	004706	004706	004706	004707	004707
	Warm Dark Gray	N/A	014196	014196	014196	014197	014197
V	VENTING						
1-V	Draffhood						
	Green	003985F	003985F	003986F	003986F	004266F	004267F
	Cool Dark Gray	N/A	014198F	014199F	014199F	014200F	014201F
2-V	Vent Damper	004709	004709	004710	004710	004711	004712

GAS CONVERSION KITS **	30B	42B	66B	90B	135B	180B
HONEYWELL GAS VALVE						
Standing Pilot Nat. to Pro. On/Off	***	***	***	***		
Standing Pilot Pro. to Nat. On/Off	***	***	***	***		
Hot Surface Ignition Nat. to Pro.	N/A	N/A	N/A	N/A		
Hot Surface Ignition Pro. to Nat.	N/A	N/A	N/A	N/A		
IID Nat. to Pro. Honeywell On/Off	N/A	N/A	N/A	N/A		
IID Pro. to Nat. Honeywell On/Off	N/A	N/A	N/A	N/A		
ROBERTSHAW GAS VALVE						
Standing Pilot Nat. to Pro. On/Off	004289F	004293F	004702F	004297F	004281F	004285F
Standing Pilot Pro. to Nat. On/Off	004290F	004294F	004703F	004298F	004282F	004286F
Standing Pilot Nat. to Pro. 2 Stage				010808F		
Standing Pilot Pro. to Nat. 2 Stage				010809F		
Hot Surface Ignition Nat. to Pro.	N/A	N/A	N/A	N/A	N/A	N/A
Hot Surface Ignition Pro. to Nat.	N/A	N/A	N/A	N/A	N/A	N/A
IID Nat. to Pro. Robertshaw On/Off	005479F	005481F	005483F	005485F	005487F	005489F
IID Pro. to Nat. Robertshaw On/Off	005480F	005482F	005484F	005486F	005488F	005490F
IID Nat. to Pro. Robertshaw 2 Stage				010810F		
IID Pro. to Nat. Robertshaw 2 Stage				010811F		

** Gas Conversions are to be done only by a Qualified Agency.

*** Gas conversion only available in Robertshaw valve.

IGNITION CONTROL CONVERSION KIT	
Robertshaw HSI Control to Fenwal HSI Control	N/A

Note: Boilers manufactured after August 11, 1994, Serial #9408116901 or later, have IID ignition in lieu of HSI ignition.



www.raypak.com