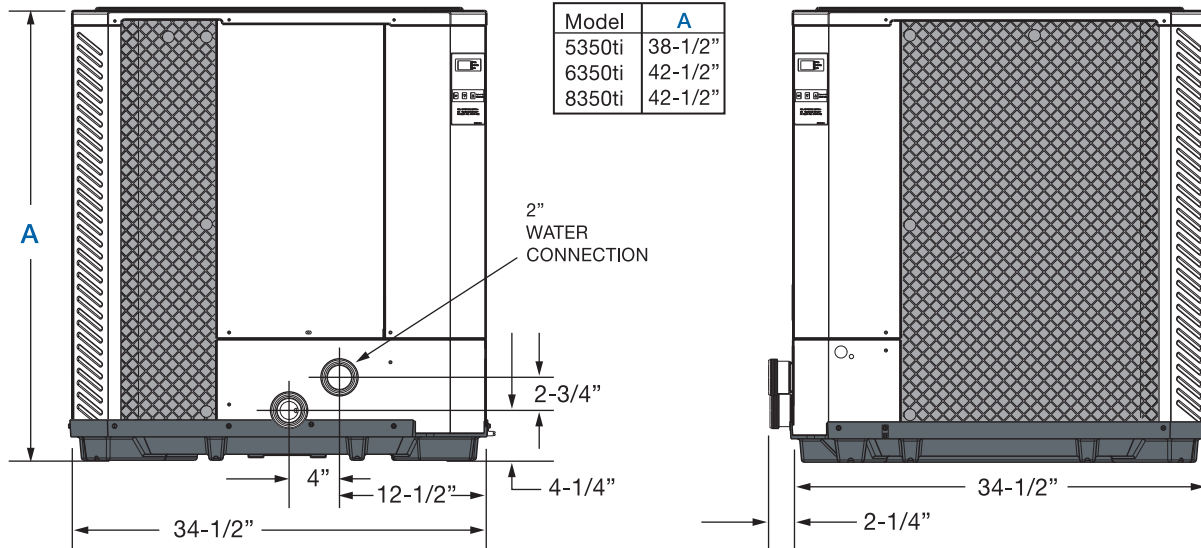


Technical Data

Quiet Technology™ Heat Pump Pool Heaters



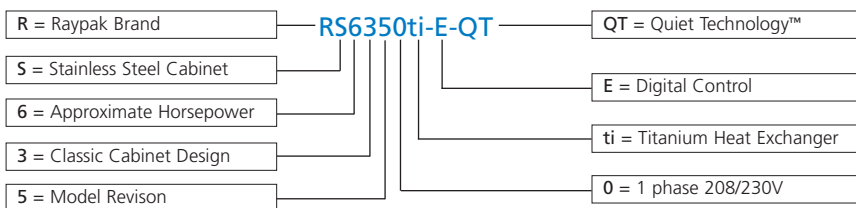
In keeping with its policy of continuous progress and product improvement, Raypak reserves the right to make changes without notice.



MODEL	RS5350ti-E-QT	RS6350ti-E-QT	RS8350ti-E-QT
Heat BTUH Output	95,000/92,000	117,000/113,000	133,000/125,000
AHRI 1160* (80,80,80) / (80,63,80)			
C.O.P.	6.2/6.0	6.2/6.0	5.5/5.2
Compressor		Scroll	
Refrigerant		R-410A	
Voltage		208/230V-1Ph-60Hz	
Minimum Circuit Ampacity	40	42	42
Maximum Breaker Size (Amps)	60	60	60
Electrical Input (kw)	4.3	5.5	7.0
Heat Exchanger		Titanium	
Water Flow (gpm)	15-60	15-60	15-60
Shipping Weight (lbs.)	302	310	358

*Tested to AHRI 1160 All models comply with Florida 4.0 minimum C.O.P. requirement.

Model Designation



Swimming Pool and Spa Heating Products



Quiet Technology™ Heat Pump Pool Heaters



59 dB

operational sound level

Quiet Technology Standard Features

Cabinet

- Stainless Steel Cabinet
- Venturi Fan Cowling
- Epoxy Coated Grill
- High Strength ABS Base Designed for Acoustic Sound Absorption

Evaporator Coil

- Large Custom Fabricated Air Coils

Compressor

- Scroll Compressor
- Compressor Sound Cover

Fan

- Slow Rotation 825RPM Fan Motor
- Four Blade Custom Engineered Fan Blade for quiet operation

Heat Exchanger

- Rifled Spiral Titanium Tube
- Internal Bypass Valving - Flow Rates up to 60 GPM
- 2" PVC Plumbing Connections

Digital Control

- Pool/Spa Control Set Points
- Remote Compatible
- On Board Diagnostics