



Featuring
Industry Standard
R-410A Refrigerant

R-410A



13 SEER CONDENSING UNITS

Features

- Painted louvered steel cabinet
- Easily accessible control box
- Condenser coils constructed with copper tubing and enhanced aluminum fins
- Grille/Motor mount for quiet fan operation
- Bi-Directional Filter Drier (shipped – not installed)

Applications

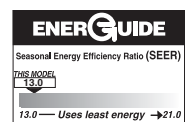
Outdoor condensing unit designed for ground level or rooftop installations. These units offer comfort and dependability for single, multi-family and light commercial applications.

Accessories

- Low Pressure Control (RXAC-A07)
- High Pressure Control (RXAB-A07)
- Low Ambient Control (RXAD-A08)
- Compressor Time Delay Control
- Crankcase Heater
- Sound Enclosure



13AJM SERIES



Model Number Identification

13	A	J	M	18	A	01
13 SEER	A = AIR CONDITIONER	VOLTAGE J = 208-230 SINGLE PHASE	DESIGN SERIES M = 2ND DESIGN R-410A	NOMINAL COOLING CAPACITY 18 = 18,000 BTU/HR [5.28 kW] 24 = 24,000 BTU/HR [7.03 kW] 30 = 30,000 BTU/HR [8.79 kW] 36 = 36,000 BTU/HR [10.55 kW] 42 = 42,000 BTU/HR [12.31 kW] 48 = 48,000 BTU/HR [14.07 kW] 60 = 60,000 BTU/HR [17.58 kW]	CABINET A = FULL METAL JACKET	RHEEM VALUE SERIES

Performance Data @ AHRI Standard Conditions—Cooling

Model Numbers		80°F [26.5°C] DB/67°F [19.5°C] WB Indoor Air 95°F [35°C] DB Outdoor Air					Sound Rating dB	Indoor CFM [L/s]
Outdoor Unit 13AJM	Indoor Coil and/or Air Handler	Total Capacity BTU/H [kW]	Net Sensible BTU/H [kW]	Net Latent BTU/H [kW]	EER	SEER		
Rev. 6/30/10	RCFL-H*2417 ①	19,100 [5.6]	14,450 [4.2]	4,650 [1.4]	11.40	13.00	74	675 [319]
	RHAL-FR18P	19,400 [5.7]	14,400 [4.2]	5,000 [1.5]	11.50	13.00	74	600 [283]
	RHBL-FR24T	19,400 [5.7]	14,400 [4.2]	5,000 [1.5]	12.00	14.00	74	600 [283]
	RCFL-A*2414	19,100 [5.6]	14,450 [4.2]	4,650 [1.4]	11.40	13.00	74	675 [319]
	RCFL-A*2417	19,100 [5.6]	14,450 [4.2]	4,650 [1.4]	11.40	13.00	74	675 [319]
	RCFL-A*2417 (RGFD-06?MCK?)	19,200 [5.6]	14,300 [4.2]	4,900 [1.4]	12.65	14.00	74	600 [283]
	RCFL-A*2417 (RGFD-07?MCK?)	19,200 [5.6]	14,300 [4.2]	4,900 [1.4]	12.65	14.00	74	600 [283]
	RCFL-A*2417 (RGFE-06?MCK?)	19,100 [5.6]	14,150 [4.1]	4,950 [1.5]	12.00	14.50	74	575 [271]
	RCFL-A*2417 (RGFE-07?MCK?)	19,200 [5.6]	14,300 [4.2]	4,900 [1.4]	12.00	14.50	74	600 [283]
	RCFL-A*2417 (RGGD-06?MCK?)	19,300 [5.7]	14,350 [4.2]	4,950 [1.5]	12.80	14.50	74	600 [283]
	RCFL-A*2417 (RGGD-07?MCK?)	19,400 [5.7]	14,500 [4.2]	4,900 [1.4]	12.80	14.50	74	625 [295]
	RCFL-A*2417 (RGGE-06?MCK?)	19,400 [5.7]	14,550 [4.3]	4,850 [1.4]	12.00	14.50	74	625 [295]
	RCFL-A*2417 (RGGE-07?MCK?)	19,100 [5.6]	14,150 [4.1]	4,950 [1.5]	12.00	14.50	74	575 [271]
	RCFL-A*2417 (RGLE-07?AMK?)	19,300 [5.7]	14,400 [4.2]	4,900 [1.4]	12.00	14.50	74	600 [283]
	RCFL-A*2417 (RGLR-07?AMK?)	19,300 [5.7]	14,350 [4.2]	4,950 [1.5]	12.85	14.50	74	600 [283]
	RCFL-A*2417 (RGLT-07?AME?)	19,700 [5.8]	14,900 [4.4]	4,800 [1.4]	12.00	14.50	74	675 [319]
18	RCFL-A*2417 (RGPE-05?BMK?)	19,100 [5.6]	14,150 [4.1]	4,950 [1.5]	12.00	14.50	74	575 [271]
	RCFL-A*2417 (RGPE-07?AMK?)	19,400 [5.7]	14,550 [4.3]	4,850 [1.4]	12.00	14.50	74	625 [295]
	RCFL-A*2417 (RGPR-05?BMK?)	19,200 [5.6]	14,300 [4.2]	4,900 [1.4]	12.55	14.00	74	600 [283]
	RCFL-A*2417 (RGPR-07?AMK?)	19,300 [5.7]	14,350 [4.2]	4,950 [1.5]	12.80	14.50	74	600 [283]
	RCFL-A*2417 (RGPT-05?BMK?)	19,600 [5.7]	14,800 [4.3]	4,800 [1.4]	12.00	14.50	74	650 [307]
	RCFL-A*2417 (RGPT-07?AME?)	19,400 [5.7]	14,500 [4.2]	4,900 [1.4]	12.00	14.50	74	625 [295]
	RCFL-A*2417 (RGRM-04?MAE?)	19,100 [5.6]	14,150 [4.1]	4,950 [1.5]	12.60	14.00	74	575 [271]
	RCFL-A*2417 (RGRM-06?MAE?)	19,200 [5.6]	14,300 [4.2]	4,900 [1.4]	12.70	14.50	74	600 [283]
	RCFL-A*2417 (RGRM-07?MAE?)	19,300 [5.7]	14,450 [4.2]	4,850 [1.4]	12.50	14.00	74	625 [295]
	RCFL-A*2417 (RGTM-06?MAE?)	19,300 [5.7]	14,450 [4.2]	4,850 [1.4]	12.00	14.50	74	625 [295]
	ROCA-070E03 (RCFL-A*2417)	19,300 [5.7]	14,350 [4.2]	4,950 [1.5]	12.00	14.50	74	600 [283]
	ROLA-070E03 (RCFL-A*2417)	19,200 [5.6]	14,300 [4.2]	4,900 [1.4]	11.50	14.00	74	600 [283]
	RCFL-H*2414	19,100 [5.6]	14,450 [4.2]	4,650 [1.4]	11.40	13.00	74	675 [319]
	RCFL-H*2417 (RGFD-06?MCK?)	19,200 [5.6]	14,300 [4.2]	4,900 [1.4]	12.65	14.00	74	600 [283]
	RCFL-H*2417 (RGFD-07?MCK?)	19,200 [5.6]	14,300 [4.2]	4,900 [1.4]	12.65	14.00	74	600 [283]
	RCFL-H*2417 (RGFE-06?MCK?)	19,100 [5.6]	14,150 [4.1]	4,950 [1.5]	12.00	14.50	74	575 [271]
	RCFL-H*2417 (RGFE-07?MCK?)	19,200 [5.6]	14,300 [4.2]	4,900 [1.4]	12.00	14.50	74	600 [283]
	RCFL-H*2417 (RGGD-06?MCK?)	19,300 [5.7]	14,350 [4.2]	4,950 [1.5]	12.80	14.50	74	600 [283]
	RCFL-H*2417 (RGGD-07?MCK?)	19,400 [5.7]	14,500 [4.2]	4,900 [1.4]	12.80	14.50	74	625 [295]
	RCFL-H*2417 (RGGE-06?MCK?)	19,400 [5.7]	14,550 [4.3]	4,850 [1.4]	12.00	14.50	74	625 [295]
	RCFL-H*2417 (RGGE-07?MCK?)	19,100 [5.6]	14,150 [4.1]	4,950 [1.5]	12.00	14.50	74	575 [271]
	RCFL-H*2417 (RGJD-06?MCK?)	19,300 [5.7]	14,350 [4.2]	4,950 [1.5]	12.80	14.50	74	600 [283]
	RCFL-H*2417 (RGJD-07?MCK?)	19,400 [5.7]	14,500 [4.2]	4,900 [1.4]	12.80	14.50	74	625 [295]
	RCFL-H*2417 (RGJF-06?MCK?)	19,400 [5.7]	14,550 [4.3]	4,850 [1.4]	12.00	14.50	74	625 [295]
RCFL-H*2417 (RGJF-07?MCK?)	19,100 [5.6]	14,150 [4.1]	4,950 [1.5]	12.00	14.50	74	575 [271]	
RCFL-H*2417 (RGLE-07?AMK?)	19,300 [5.7]	14,400 [4.2]	4,900 [1.4]	12.00	14.50	74	600 [283]	

① Highest sales volume tested combination required by D.O.E. test procedures.

[] Designates Metric Conversions

Performance Data @ AHRI Standard Conditions—Cooling (con't.)

Model Numbers		80°F [26.5°C] DB/67°F [19.5°C] WB Indoor Air 95°F [35°C] DB Outdoor Air					Sound Rating dB	Indoor CFM [L/s]
Outdoor Unit 13AJM	Indoor Coil and/or Air Handler	Total Capacity BTU/H [kW]	Net Sensible BTU/H [kW]	Net Latent BTU/H [kW]	EER	SEER		
Rev. 6/30/10	RCFL-H*2417 (RGLR-07?AMK?)	19,300 [5.7]	14,350 [4.2]	4,950 [1.5]	12.85	14.50	74	600 [283]
	RCFL-H*2417 (RGLT-07?AME?)	19,700 [5.8]	14,900 [4.4]	4,800 [1.4]	12.00	14.50	74	675 [319]
	RCFL-H*2417 (RGPE-05?BMK?)	19,100 [5.6]	14,150 [4.1]	4,950 [1.5]	12.00	14.50	74	575 [271]
	RCFL-H*2417 (RGPE-07?AMK?)	19,400 [5.7]	14,550 [4.3]	4,850 [1.4]	12.00	14.50	74	625 [295]
	RCFL-H*2417 (RGPR-05?BMK?)	19,200 [5.6]	14,300 [4.2]	4,900 [1.4]	12.55	14.00	74	600 [283]
	RCFL-H*2417 (RGPR-07?AMK?)	19,300 [5.7]	14,350 [4.2]	4,950 [1.5]	12.80	14.50	74	600 [283]
	RCFL-H*2417 (RGPT-05?BMK?)	19,600 [5.7]	14,800 [4.3]	4,800 [1.4]	12.00	14.50	74	650 [307]
	RCFL-H*2417 (RGPT-07?AME?)	19,400 [5.7]	14,500 [4.2]	4,900 [1.4]	12.00	14.50	74	625 [295]
	RCFL-H*2417 (RGRM-04?MAE?)	19,100 [5.6]	14,150 [4.1]	4,950 [1.5]	12.60	14.00	74	575 [271]
	RCFL-H*2417 (RGRM-06?MAE?)	19,200 [5.6]	14,300 [4.2]	4,900 [1.4]	12.70	14.50	74	600 [283]
	RCFL-H*2417 (RGRM-07?MAE?)	19,300 [5.7]	14,450 [4.2]	4,850 [1.4]	12.50	14.00	74	625 [295]
	RCFL-H*2417 (RGTM-06?MAE?)	19,300 [5.7]	14,450 [4.2]	4,850 [1.4]	12.00	14.50	74	625 [295]
	ROCA-070E03 (RCFL-H*2417)	19,300 [5.7]	14,350 [4.2]	4,950 [1.5]	12.00	14.50	74	600 [283]
	ROLA-070E03 (RCFL-H*2417)	19,200 [5.6]	14,300 [4.2]	4,900 [1.4]	11.50	14.00	74	600 [283]
	RBHP-17 (RCHL-24A2)	18,200 [5.3]	12,850 [3.8]	5,350 [1.6]	11.95	14.00	74	600 [283]
RHKL-HM2417 (RCSL-H*2417)	19,600 [5.7]	14,800 [4.3]	4,800 [1.4]	13.00	14.50	74	650 [307]	
RHLL-HM2417 (RCSL-H*2417)	19,600 [5.7]	14,800 [4.3]	4,800 [1.4]	13.05	14.50	74	650 [307]	
RHSL-HM1817 (RCSL-H*2417)	18,900 [5.5]	14,050 [4.1]	4,850 [1.4]	11.85	13.00	74	600 [283]	
18	RCFL-H*2417 ①	23,000 [6.7]	17,100 [5.0]	5,900 [1.7]	10.95	13.00	74	800 [378]
	RHAL-FR24P	23,400 [6.9]	18,500 [5.4]	4,900 [1.4]	11.25	13.00	74	800 [378]
	RHBL-FR24T	23,400 [6.9]	18,500 [5.4]	4,900 [1.4]	11.80	14.00	74	800 [378]
	RCFL-A*2414	23,000 [6.7]	17,100 [5.0]	5,900 [1.7]	10.95	13.00	74	800 [378]
	RCFL-A*2417	23,000 [6.7]	17,100 [5.0]	5,900 [1.7]	10.95	13.00	74	800 [378]
	RCFL-A*2417 (RGFD-06?MCK?)	23,400 [6.9]	17,400 [5.1]	6,000 [1.8]	11.60	13.50	74	800 [378]
	RCFL-A*2417 (RGFD-07?MCK?)	23,400 [6.9]	17,400 [5.1]	6,000 [1.8]	11.70	13.50	74	800 [378]
	RCFL-A*2417 (RGFE-06?MCK?)	23,400 [6.9]	17,350 [5.1]	6,050 [1.8]	11.85	14.00	74	800 [378]
	RCFL-A*2417 (RGFE-07?MCK?)	23,200 [6.8]	16,950 [5.0]	6,250 [1.8]	11.85	14.00	74	725 [342]
	RCFL-A*2417 (RGGD-06?MCK?)	23,600 [6.9]	17,550 [5.1]	6,050 [1.8]	11.90	14.00	74	800 [378]
	RCFL-A*2417 (RGGD-07?MCK?)	23,400 [6.9]	17,400 [5.1]	6,000 [1.8]	11.80	13.50	74	800 [378]
	RCFL-A*2417 (RGGE-06?MCK?)	23,600 [6.9]	17,550 [5.1]	6,050 [1.8]	12.05	14.00	74	825 [389]
	RCFL-A*2417 (RGGE-07?MCK?)	23,600 [6.9]	17,550 [5.1]	6,050 [1.8]	11.95	14.00	74	800 [378]
	RCFL-A*2417 (RGLR-07?AMK?)	23,600 [6.9]	17,550 [5.1]	6,050 [1.8]	12.05	14.00	74	800 [378]
	RCFL-A*2417 (RGLT-07?AME?)	23,000 [6.7]	16,600 [4.9]	6,400 [1.9]	11.50	14.00	74	675 [319]
	RCFL-A*2417 (RGPE-07?AMK?)	23,600 [6.9]	17,550 [5.1]	6,050 [1.8]	11.50	14.00	74	825 [389]
	RCFL-A*2417 (RGPR-05?BMK?)	23,400 [6.9]	17,400 [5.1]	6,000 [1.8]	11.75	13.50	74	775 [366]
	RCFL-A*2417 (RGPR-07?AMK?)	23,600 [6.9]	17,550 [5.1]	6,050 [1.8]	12.00	14.00	74	800 [378]
	RCFL-A*2417 (RGPT-05?BMK?)	23,800 [7.0]	17,900 [5.2]	5,900 [1.7]	11.50	13.50	74	850 [401]
	RCFL-A*2417 (RGPT-07?AME?)	23,800 [7.0]	17,900 [5.2]	5,900 [1.7]	11.50	14.00	74	850 [401]
	RCFL-A*2417 (RGRM-04?MAE?)	23,400 [6.9]	17,400 [5.1]	6,000 [1.8]	11.65	13.50	74	800 [378]
	RCFL-A*2417 (RGRM-06?MAE?)	23,400 [6.9]	17,400 [5.1]	6,000 [1.8]	11.70	13.50	74	825 [389]
	RCFL-A*2417 (RGRM-07?MAE?)	23,600 [6.9]	17,750 [5.2]	5,850 [1.7]	11.45	13.00	74	850 [401]
	RCFL-A*2417 (RGTM-06?MAE?)	23,400 [6.9]	17,200 [5.0]	6,200 [1.8]	11.50	14.00	74	750 [354]
	ROCA-070E03 (RCFL-A*2417)	23,600 [6.9]	17,550 [5.1]	6,050 [1.8]	11.50	14.00	74	800 [378]
	ROCA-070E04 (RCFL-A*2417)	23,600 [6.9]	17,550 [5.1]	6,050 [1.8]	11.50	14.00	74	800 [378]
	ROLA-070E03 (RCFL-A*2417)	23,600 [6.9]	17,550 [5.1]	6,050 [1.8]	11.50	14.00	74	800 [378]
	ROLA-070E04 (RCFL-A*2417)	23,200 [6.8]	16,950 [5.0]	6,250 [1.8]	11.50	14.00	74	725 [342]
	RCFL-H*2414	23,000 [6.7]	17,100 [5.0]	5,900 [1.7]	10.95	13.00	74	800 [378]
	RCFL-H*2417 (RGFD-06?MCK?)	23,400 [6.9]	17,400 [5.1]	6,000 [1.8]	11.60	13.50	74	800 [378]
	RCFL-H*2417 (RGFD-07?MCK?)	23,400 [6.9]	17,400 [5.1]	6,000 [1.8]	11.70	13.50	74	800 [378]
	RCFL-H*2417 (RGFE-06?MCK?)	23,400 [6.9]	17,350 [5.1]	6,050 [1.8]	11.85	14.00	74	800 [378]
	RCFL-H*2417 (RGFE-07?MCK?)	23,200 [6.8]	16,950 [5.0]	6,250 [1.8]	11.85	14.00	74	725 [342]
RCFL-H*2417 (RGGD-06?MCK?)	23,600 [6.9]	17,550 [5.1]	6,050 [1.8]	11.90	14.00	74	800 [378]	
RCFL-H*2417 (RGGD-07?MCK?)	23,400 [6.9]	17,400 [5.1]	6,000 [1.8]	11.80	13.50	74	800 [378]	
RCFL-H*2417 (RGGE-06?MCK?)	23,600 [6.9]	17,550 [5.1]	6,050 [1.8]	12.05	14.00	74	825 [389]	

① Highest sales volume tested combination required by D.O.E. test procedures.

[] Designates Metric Conversions

Performance Data @ AHRI Standard Conditions—Cooling (con't.)

Model Numbers		80°F [26.5°C] DB/67°F [19.5°C] WB Indoor Air 95°F [35°C] DB Outdoor Air					Sound Rating dB	Indoor CFM [L/s]	
Outdoor Unit 13AJM	Indoor Coil and/or Air Handler	Total Capacity BTU/H [kW]	Net Sensible BTU/H [kW]	Net Latent BTU/H [kW]	EER	SEER			
24	Rev. 6/30/10	RCFL-H*2417 (RGGE-07?MCK?)	23,600 [6.9]	17,550 [5.1]	6,050 [1.8]	11.95	14.00	74	800 [378]
		RCFL-H*2417 (RGJD-06?MCK?)	23,600 [6.9]	17,550 [5.1]	6,050 [1.8]	11.90	14.00	74	800 [378]
		RCFL-H*2417 (RGJD-07?MCK?)	23,400 [6.9]	17,400 [5.1]	6,000 [1.8]	11.80	13.50	74	800 [378]
		RCFL-H*2417 (RGJF-06?MCK?)	23,600 [6.9]	17,550 [5.1]	6,050 [1.8]	12.05	14.00	74	825 [389]
		RCFL-H*2417 (RGJF-07?MCK?)	23,600 [6.9]	17,550 [5.1]	6,050 [1.8]	11.95	14.00	74	800 [378]
		RCFL-H*2417 (RGLR-07?AMK?)	23,600 [6.9]	17,550 [5.1]	6,050 [1.8]	12.05	14.00	74	800 [378]
		RCFL-H*2417 (RGLT-07?AME?)	23,000 [6.7]	16,600 [4.9]	6,400 [1.9]	11.50	14.00	74	675 [319]
		RCFL-H*2417 (RGPE-05?BMK?)	23,600 [6.9]	17,550 [5.1]	6,050 [1.8]	11.50	14.00	74	800 [378]
		RCFL-H*2417 (RGPE-07?AMK?)	23,600 [6.9]	17,550 [5.1]	6,050 [1.8]	11.50	14.00	74	825 [389]
		RCFL-H*2417 (RGPR-05?BMK?)	23,400 [6.9]	17,400 [5.1]	6,000 [1.8]	11.75	13.50	74	775 [366]
		RCFL-H*2417 (RGPR-07?AMK?)	23,600 [6.9]	17,550 [5.1]	6,050 [1.8]	12.00	14.00	74	800 [378]
		RCFL-H*2417 (RGPT-05?BMK?)	23,800 [7.0]	17,900 [5.2]	5,900 [1.7]	11.50	13.50	74	850 [401]
		RCFL-H*2417 (RGPT-07?AME?)	23,800 [7.0]	17,900 [5.2]	5,900 [1.7]	11.50	14.00	74	850 [401]
		RCFL-H*2417 (RGRM-04?MAE?)	23,400 [6.9]	17,400 [5.1]	6,000 [1.8]	11.65	13.50	74	800 [378]
		RCFL-H*2417 (RGRM-06?MAE?)	23,400 [6.9]	17,400 [5.1]	6,000 [1.8]	11.70	13.50	74	825 [389]
		RCFL-H*2417 (RGRM-07?MAE?)	23,600 [6.9]	17,750 [5.2]	5,850 [1.7]	11.45	13.00	74	850 [401]
		RCFL-H*2417 (RGTM-06?MAE?)	23,400 [6.9]	17,200 [5.0]	6,200 [1.8]	11.50	14.00	74	750 [354]
		ROCA-070E03 (RCFL-H*2417)	23,600 [6.9]	17,550 [5.1]	6,050 [1.8]	11.50	14.00	74	800 [378]
		ROCA-070E04 (RCFL-H*2417)	23,600 [6.9]	17,550 [5.1]	6,050 [1.8]	11.50	14.00	74	800 [378]
		ROLA-070E03 (RCFL-H*2417)	23,600 [6.9]	17,550 [5.1]	6,050 [1.8]	11.50	14.00	74	800 [378]
		ROLA-070E04 (RCFL-H*2417)	23,200 [6.8]	16,950 [5.0]	6,250 [1.8]	11.50	14.00	74	725 [342]
		RBHP-17 (RCHL-24A2)	22,000 [6.4]	15,850 [4.6]	6,150 [1.8]	11.50	14.00	74	800 [378]
		RCQD-2417 (RGFE-06?MCK?)	23,800 [7.0]	18,750 [5.5]	5,050 [1.5]	11.50	13.50	74	800 [378]
		RCQD-2417 (RGFE-07?MCK?)	23,800 [7.0]	18,750 [5.5]	5,050 [1.5]	11.50	13.50	74	825 [389]
		RCQD-2417 (RGJF-06?MCK?)	24,000 [7.0]	18,950 [5.6]	5,050 [1.5]	11.50	13.50	74	825 [389]
		RCQD-2417 (RGJF-07?MCK?)	23,800 [7.0]	18,750 [5.5]	5,050 [1.5]	11.50	13.50	74	800 [378]
		RCQD-2417 (RGPE-05?BMK?)	24,000 [7.0]	18,950 [5.6]	5,050 [1.5]	11.50	13.50	74	800 [378]
		RCQD-2417 (RGPE-07?AMK?)	24,000 [7.0]	18,950 [5.6]	5,050 [1.5]	11.50	14.00	74	825 [389]
		RCQD-2417 (RGPR-05?BMK?)	23,600 [6.9]	18,400 [5.4]	5,200 [1.5]	11.50	13.50	74	750 [354]
		RCQD-2417 (RGPR-07?AMK?)	24,000 [7.0]	18,950 [5.6]	5,050 [1.5]	11.50	14.00	74	800 [378]
		RCQD-2417 (RGPT-05?BMK?)	24,400 [7.1]	19,650 [5.8]	4,750 [1.4]	11.50	13.50	74	900 [425]
		RCQD-2417 (RGRM-04?MAE?)	23,800 [7.0]	18,750 [5.5]	5,050 [1.5]	11.50	13.50	74	800 [378]
		RCQD-2417 (RGRM-06?MAE?)	23,800 [7.0]	18,750 [5.5]	5,050 [1.5]	11.50	13.50	74	825 [389]
	RCQD-2417 (RGRM-07?MAE?)	23,800 [7.0]	18,750 [5.5]	5,050 [1.5]	11.50	13.50	74	800 [378]	
	RCQD-2417 (RGTM-06?MAE?)	23,800 [7.0]	18,750 [5.5]	5,050 [1.5]	11.50	13.50	74	825 [389]	
	ROCA-070E03 (RCQD-2417)	24,000 [7.0]	18,950 [5.6]	5,050 [1.5]	11.50	14.00	74	800 [378]	
	ROCA-070E04 (RCQD-2417)	24,000 [7.0]	18,950 [5.6]	5,050 [1.5]	11.50	14.00	74	800 [378]	
	ROLA-070E03 (RCQD-2417)	24,000 [7.0]	18,950 [5.6]	5,050 [1.5]	11.50	14.00	74	800 [378]	
	ROLA-070E04 (RCQD-2417)	23,600 [6.9]	18,350 [5.4]	5,250 [1.5]	11.50	13.50	74	725 [342]	
	RHKL-HM2417 (RCSL-H*2417)	23,800 [7.0]	17,900 [5.2]	5,900 [1.7]	12.00	14.00	74	850 [401]	
	RHLL-HM2417 (RCSL-H*2417)	23,600 [6.9]	17,500 [5.1]	6,100 [1.8]	12.35	14.50	74	775 [366]	
	RHSL-HM2417 (RCSL-H*2417)	23,200 [6.8]	17,250 [5.1]	5,950 [1.7]	11.25	13.00	74	800 [378]	
30		RCFL-H*3617 ①	27,400 [8.0]	21,000 [6.2]	6,400 [1.9]	11.05	13.00	73	1,025 [484]
		RHAL-FR30P	28,400 [8.3]	22,000 [6.4]	6,400 [1.9]	11.30	13.00	73	975 [460]
		RHBL-FR36T	28,400 [8.3]	22,000 [6.4]	6,400 [1.9]	12.00	14.00	73	1,025 [484]
		RCFL-A*3617	27,400 [8.0]	21,000 [6.2]	6,400 [1.9]	11.05	13.00	73	1,025 [484]
		RCFL-A*3617 (RGFD-06?MCK?)	27,600 [8.1]	21,150 [6.2]	6,450 [1.9]	11.40	13.00	73	1,000 [472]
		RCFL-A*3617 (RGFD-07?MCK?)	27,800 [8.1]	21,300 [6.2]	6,500 [1.9]	11.60	13.50	73	1,000 [472]
		RCFL-A*3617 (RGFE-06?MCK?)	27,800 [8.1]	21,300 [6.2]	6,500 [1.9]	11.70	13.50	73	1,000 [472]
		RCFL-A*3617 (RGFE-07?MCK?)	27,800 [8.1]	21,300 [6.2]	6,500 [1.9]	11.60	13.50	73	1,025 [484]
		RCFL-A*3617 (RGGD-06?MCK?)	27,800 [8.1]	21,300 [6.2]	6,500 [1.9]	11.70	13.50	73	1,000 [472]
		RCFL-A*3617 (RGGD-07?MCK?)	27,800 [8.1]	21,350 [6.3]	6,450 [1.9]	11.60	13.50	73	1,025 [484]
	RCFL-A*3617 (RGGE-06?MCK?)	27,800 [8.1]	21,300 [6.2]	6,500 [1.9]	11.85	13.50	73	1,025 [484]	

① Highest sales volume tested combination required by D.O.E. test procedures.

[] Designates Metric Conversions

Performance Data @ AHRI Standard Conditions—Cooling (con't.)

Model Numbers		80°F [26.5°C] DB/67°F [19.5°C] WB Indoor Air 95°F [35°C] DB Outdoor Air					Sound Rating dB	Indoor CFM [L/s]
Outdoor Unit 13AJM	Indoor Coil and/or Air Handler	Total Capacity BTU/H [kW]	Net Sensible BTU/H [kW]	Net Latent BTU/H [kW]	EER	SEER		
Rev. 6/30/10	RCFL-A*3617 (RGGE-07?MCK?)	27,800 [8.1]	21,300 [6.2]	6,500 [1.9]	11.80	13.50	73	1,025 [484]
	RCFL-A*3617 (RGLR-07?AMK?)	27,800 [8.1]	21,300 [6.2]	6,500 [1.9]	11.90	14.00	73	1,025 [484]
	RCFL-A*3617 (RGLT-07?AME?)	27,600 [8.1]	20,600 [6.0]	7,000 [2.1]	11.50	14.00	73	900 [425]
	RCFL-A*3617 (RGPE-05?BMK?)	27,600 [8.1]	20,900 [6.1]	6,700 [2.0]	11.50	13.50	73	975 [460]
	RCFL-A*3617 (RGPE-07?AMK?)	28,000 [8.2]	21,500 [6.3]	6,500 [1.9]	11.50	14.00	73	1,000 [472]
	RCFL-A*3617 (RGPR-05?BMK?)	27,600 [8.1]	21,150 [6.2]	6,450 [1.9]	11.55	13.50	73	1,000 [472]
	RCFL-A*3617 (RGPR-07?AMK?)	27,800 [8.1]	21,300 [6.2]	6,500 [1.9]	11.85	13.50	73	1,000 [472]
	RCFL-A*3617 (RGPT-05?BMK?)	27,400 [8.0]	20,400 [6.0]	7,000 [2.1]	11.50	14.00	73	900 [425]
	RCFL-A*3617 (RGPT-07?AME?)	27,400 [8.0]	20,400 [6.0]	7,000 [2.1]	11.50	14.00	73	900 [425]
	RCFL-A*3617 (RGRM-04?MAE?)	27,600 [8.1]	21,150 [6.2]	6,450 [1.9]	11.40	13.00	73	1,025 [484]
30	RCFL-A*3617 (RGRM-06?MAE?)	27,600 [8.1]	21,150 [6.2]	6,450 [1.9]	11.55	13.50	73	1,000 [472]
	RCFL-A*3617 (RGRM-07?MAE?)	27,400 [8.0]	21,000 [6.2]	6,400 [1.9]	11.10	13.00	73	1,025 [484]
	RCFL-A*3617 (RGTM-06?MAE?)	27,400 [8.0]	20,400 [6.0]	7,000 [2.1]	11.50	14.00	73	900 [425]
	ROCA-070E03 (RCFL-A*3617)	28,000 [8.2]	21,500 [6.3]	6,500 [1.9]	11.50	14.00	73	1,000 [472]
	ROCA-070E04 (RCFL-A*3617)	28,000 [8.2]	21,500 [6.3]	6,500 [1.9]	11.50	14.00	73	1,000 [472]
	ROLA-070E03 (RCFL-A*3617)	27,800 [8.1]	21,100 [6.2]	6,700 [2.0]	11.50	14.00	73	975 [460]
	ROLA-070E04 (RCFL-A*3617)	27,800 [8.1]	21,100 [6.2]	6,700 [2.0]	11.50	14.00	73	975 [460]
	RCFL-A*3621	27,400 [8.0]	21,000 [6.2]	6,400 [1.9]	11.05	13.00	73	1,025 [484]
	RCFL-A*3621 (RGFD-06?MCK?)	27,600 [8.1]	21,150 [6.2]	6,450 [1.9]	11.45	13.00	73	1,000 [472]
	RCFL-A*3621 (RGFD-07?MCK?)	27,800 [8.1]	21,300 [6.2]	6,500 [1.9]	11.65	13.50	73	1,000 [472]
	RCFL-A*3621 (RGFE-06?MCK?)	27,800 [8.1]	21,300 [6.2]	6,500 [1.9]	11.70	13.50	73	1,000 [472]
	RCFL-A*3621 (RGFE-07?MCK?)	27,800 [8.1]	21,300 [6.2]	6,500 [1.9]	11.60	13.50	73	1,025 [484]
	RCFL-A*3621 (RGFE-09?ZCM?)	28,000 [8.2]	21,500 [6.3]	6,500 [1.9]	11.95	14.00	73	1,025 [484]
	RCFL-A*3621 (RGFE-10?ZCM?)	28,000 [8.2]	21,450 [6.3]	6,550 [1.9]	12.10	14.00	73	1,000 [472]
	RCFL-A*3621 (RGGD-06?MCK?)	27,800 [8.1]	21,300 [6.2]	6,500 [1.9]	11.75	13.50	73	1,000 [472]
	RCFL-A*3621 (RGGD-07?MCK?)	27,800 [8.1]	21,300 [6.2]	6,500 [1.9]	11.65	13.50	73	1,025 [484]
	RCFL-A*3621 (RGGE-06?MCK?)	27,800 [8.1]	21,300 [6.2]	6,500 [1.9]	11.85	13.50	73	1,025 [484]
	RCFL-A*3621 (RGGE-07?MCK?)	27,800 [8.1]	21,300 [6.2]	6,500 [1.9]	11.80	13.50	73	1,025 [484]
	RCFL-A*3621 (RGGE-09?ZCM?)	28,000 [8.2]	21,450 [6.3]	6,550 [1.9]	12.05	14.00	73	1,025 [484]
	RCFL-A*3621 (RGGE-10?ZCM?)	28,000 [8.2]	21,450 [6.3]	6,550 [1.9]	12.10	14.00	73	1,000 [472]
	RCFL-A*3621 (RGLE-07?AMK?)	28,000 [8.2]	21,450 [6.3]	6,550 [1.9]	11.50	14.00	73	1,025 [484]
	RCFL-A*3621 (RGLE-07?BRQ?)	27,600 [8.1]	20,650 [6.1]	6,950 [2.0]	12.00	14.50	73	925 [437]
	RCFL-A*3621 (RGLE-10?BRM?)	27,600 [8.1]	20,500 [6.0]	7,100 [2.1]	12.00	14.50	73	875 [413]
	RCFL-A*3621 (RGLR-07?AMK?)	28,000 [8.2]	21,500 [6.3]	6,500 [1.9]	11.95	14.00	73	1,025 [484]
	RCFL-A*3621 (RGLR-07?BRQ?)	28,000 [8.2]	21,450 [6.3]	6,550 [1.9]	12.30	14.00	73	1,000 [472]
	RCFL-A*3621 (RGLT-07?BRQ?)	28,000 [8.2]	21,450 [6.3]	6,550 [1.9]	12.00	14.50	73	1,000 [472]
	RCFL-A*3621 (RGLT-10?BRM?)	28,200 [8.3]	21,650 [6.3]	6,550 [1.9]	12.00	14.50	73	1,000 [472]
	RCFL-A*3621 (RGPE-05?BMK?)	27,600 [8.1]	20,900 [6.1]	6,700 [2.0]	11.50	13.50	73	975 [460]
	RCFL-A*3621 (RGPE-07?AMK?)	28,000 [8.2]	21,500 [6.3]	6,500 [1.9]	11.50	14.00	73	1,000 [472]
	RCFL-A*3621 (RGPE-07?BRQ?)	27,600 [8.1]	20,600 [6.0]	7,000 [2.1]	12.00	14.50	73	900 [425]
	RCFL-A*3621 (RGPE-10?BRM?)	27,600 [8.1]	20,600 [6.0]	7,000 [2.1]	12.00	14.50	73	900 [425]
	RCFL-A*3621 (RGPR-05?BMK?)	27,800 [8.1]	21,300 [6.2]	6,500 [1.9]	11.60	13.50	73	1,000 [472]
	RCFL-A*3621 (RGPR-07?AMK?)	27,800 [8.1]	21,300 [6.2]	6,500 [1.9]	11.90	14.00	73	1,000 [472]
	RCFL-A*3621 (RGPR-07?BRQ?)	28,000 [8.2]	21,450 [6.3]	6,550 [1.9]	12.30	14.50	73	1,000 [472]
	RCFL-A*3621 (RGPT-05?BMK?)	27,400 [8.0]	20,400 [6.0]	7,000 [2.1]	11.50	14.00	73	900 [425]
	RCFL-A*3621 (RGPT-07?AME?)	27,600 [8.1]	20,700 [6.1]	6,900 [2.0]	11.50	14.00	73	925 [437]
	RCFL-A*3621 (RGPT-07?BRQ?)	28,200 [8.3]	21,650 [6.3]	6,550 [1.9]	12.00	14.50	73	1,000 [472]
	RCFL-A*3621 (RGPT-10?BRM?)	28,200 [8.3]	21,650 [6.3]	6,550 [1.9]	12.00	14.50	73	1,000 [472]
	RCFL-A*3621 (RGRM-04?MAE?)	27,600 [8.1]	21,150 [6.2]	6,450 [1.9]	11.40	13.00	73	1,025 [484]
	RCFL-A*3621 (RGRM-06?MAE?)	27,800 [8.1]	21,350 [6.3]	6,450 [1.9]	11.60	13.50	73	1,000 [472]
RCFL-A*3621 (RGRM-07?YBG?)	27,400 [8.0]	20,800 [6.1]	6,600 [1.9]	11.35	13.00	73	975 [460]	
RCFL-A*3621 (RGTM-06?MAE?)	27,400 [8.0]	20,400 [6.0]	7,000 [2.1]	11.50	14.00	73	900 [425]	
RCFL-A*3621 (RGTM-07?RBG?)	27,600 [8.1]	20,800 [6.1]	6,800 [2.0]	11.50	14.00	73	950 [448]	

① Highest sales volume tested combination required by D.O.E. test procedures.

[] Designates Metric Conversions

Performance Data @ AHRI Standard Conditions—Cooling (con't.)

Model Numbers		80°F [26.5°C] DB/67°F [19.5°C] WB Indoor Air 95°F [35°C] DB Outdoor Air					Sound Rating dB	Indoor CFM [L/s]
Outdoor Unit 13AJM	Indoor Coil and/or Air Handler	Total Capacity BTU/H [kW]	Net Sensible BTU/H [kW]	Net Latent BTU/H [kW]	EER	SEER		
Rev. 6/30/10	RCFL-A*3621 (RGTM-09?ZAJ?)	27,800 [8.1]	21,050 [6.2]	6,750 [2.0]	11.50	14.00	73	975 [460]
	ROCA-070E03 (RCFL-A*3621)	28,000 [8.2]	21,450 [6.3]	6,550 [1.9]	11.50	14.00	73	1,000 [472]
	ROCA-070E04 (RCFL-A*3621)	28,000 [8.2]	21,450 [6.3]	6,550 [1.9]	11.50	14.00	73	1,000 [472]
	ROLA-070E03 (RCFL-A*3621)	27,600 [8.1]	20,600 [6.0]	7,000 [2.1]	11.50	14.00	73	900 [425]
	ROLA-070E04 (RCFL-A*3621)	28,000 [8.2]	21,450 [6.3]	6,550 [1.9]	11.50	14.00	73	1,025 [484]
	ROLA-115E05 (RCFL-A*3621)	27,600 [8.1]	20,600 [6.0]	7,000 [2.1]	11.50	14.00	73	900 [425]
	RCFL-H*3617 (RGFD-06?MCK?)	27,600 [8.1]	21,150 [6.2]	6,450 [1.9]	11.40	13.00	73	1,000 [472]
	RCFL-H*3617 (RGFD-07?MCK?)	27,800 [8.1]	21,300 [6.2]	6,500 [1.9]	11.60	13.50	73	1,000 [472]
	RCFL-H*3617 (RGFE-06?MCK?)	27,800 [8.1]	21,300 [6.2]	6,500 [1.9]	11.70	13.50	73	1,000 [472]
	RCFL-H*3617 (RGFE-07?MCK?)	27,800 [8.1]	21,300 [6.2]	6,500 [1.9]	11.60	13.50	73	1,025 [484]
	RCFL-H*3617 (RGGD-06?MCK?)	27,800 [8.1]	21,300 [6.2]	6,500 [1.9]	11.70	13.50	73	1,000 [472]
	RCFL-H*3617 (RGGD-07?MCK?)	27,800 [8.1]	21,350 [6.3]	6,450 [1.9]	11.60	13.50	73	1,025 [484]
	RCFL-H*3617 (RGGE-06?MCK?)	27,800 [8.1]	21,300 [6.2]	6,500 [1.9]	11.85	13.50	73	1,025 [484]
	RCFL-H*3617 (RGGE-07?MCK?)	27,800 [8.1]	21,300 [6.2]	6,500 [1.9]	11.80	13.50	73	1,025 [484]
	RCFL-H*3617 (RGJD-06?MCK?)	27,800 [8.1]	21,300 [6.2]	6,500 [1.9]	11.70	13.50	73	1,000 [472]
	RCFL-H*3617 (RGJD-07?MCK?)	27,800 [8.1]	21,350 [6.3]	6,450 [1.9]	11.60	13.50	73	1,025 [484]
	RCFL-H*3617 (RGJF-06?MCK?)	27,800 [8.1]	21,300 [6.2]	6,500 [1.9]	11.80	13.50	73	1,025 [484]
	RCFL-H*3617 (RGJF-07?MCK?)	27,800 [8.1]	21,300 [6.2]	6,500 [1.9]	11.75	13.50	73	1,025 [484]
	RCFL-H*3617 (RGLR-07?AMK?)	27,800 [8.1]	21,300 [6.2]	6,500 [1.9]	11.90	14.00	73	1,025 [484]
	RCFL-H*3617 (RGLT-07?AME?)	27,600 [8.1]	20,600 [6.0]	7,000 [2.1]	11.50	14.00	73	900 [425]
30	RCFL-H*3617 (RGPE-05?BMK?)	27,600 [8.1]	20,900 [6.1]	6,700 [2.0]	11.50	13.50	73	975 [460]
	RCFL-H*3617 (RGPE-07?AMK?)	28,000 [8.2]	21,500 [6.3]	6,500 [1.9]	11.50	14.00	73	1,000 [472]
	RCFL-H*3617 (RGPR-05?BMK?)	27,600 [8.1]	21,150 [6.2]	6,450 [1.9]	11.55	13.50	73	1,000 [472]
	RCFL-H*3617 (RGPR-07?AMK?)	27,800 [8.1]	21,300 [6.2]	6,500 [1.9]	11.85	13.50	73	1,000 [472]
	RCFL-H*3617 (RGPT-05?BMK?)	27,400 [8.0]	20,400 [6.0]	7,000 [2.1]	11.50	14.00	73	900 [425]
	RCFL-H*3617 (RGPT-07?AME?)	27,400 [8.0]	20,400 [6.0]	7,000 [2.1]	11.50	14.00	73	900 [425]
	RCFL-H*3617 (RGRM-04?MAE?)	27,600 [8.1]	21,150 [6.2]	6,450 [1.9]	11.40	13.00	73	1,025 [484]
	RCFL-H*3617 (RGRM-06?MAE?)	27,600 [8.1]	21,150 [6.2]	6,450 [1.9]	11.55	13.50	73	1,000 [472]
	RCFL-H*3617 (RGRM-07?MAE?)	27,400 [8.0]	21,000 [6.2]	6,400 [1.9]	11.10	13.00	73	1,025 [484]
	RCFL-H*3617 (RGTM-06?MAE?)	27,400 [8.0]	20,400 [6.0]	7,000 [2.1]	11.50	14.00	73	900 [425]
	ROCA-070E03 (RCFL-H*3617)	28,000 [8.2]	21,500 [6.3]	6,500 [1.9]	11.50	14.00	73	1,000 [472]
	ROCA-070E04 (RCFL-H*3617)	28,000 [8.2]	21,500 [6.3]	6,500 [1.9]	11.50	14.00	73	1,000 [472]
	ROLA-070E03 (RCFL-H*3617)	27,800 [8.1]	21,100 [6.2]	6,700 [2.0]	11.50	14.00	73	975 [460]
	ROLA-070E04 (RCFL-H*3617)	27,800 [8.1]	21,100 [6.2]	6,700 [2.0]	11.50	14.00	73	975 [460]
	RCFL-H*3621	27,400 [8.0]	21,000 [6.2]	6,400 [1.9]	11.05	13.00	73	1,025 [484]
	RCFL-H*3621 (RGFD-06?MCK?)	27,600 [8.1]	21,150 [6.2]	6,450 [1.9]	11.45	13.00	73	1,000 [472]
	RCFL-H*3621 (RGFD-07?MCK?)	27,800 [8.1]	21,300 [6.2]	6,500 [1.9]	11.65	13.50	73	1,000 [472]
	RCFL-H*3621 (RGFE-06?MCK?)	27,800 [8.1]	21,300 [6.2]	6,500 [1.9]	11.70	13.50	73	1,000 [472]
	RCFL-H*3621 (RGFE-07?MCK?)	27,800 [8.1]	21,300 [6.2]	6,500 [1.9]	11.60	13.50	73	1,025 [484]
	RCFL-H*3621 (RGFE-09?ZCM?)	28,000 [8.2]	21,500 [6.3]	6,500 [1.9]	11.95	14.00	73	1,025 [484]
	RCFL-H*3621 (RGFE-10?ZCM?)	28,000 [8.2]	21,450 [6.3]	6,550 [1.9]	12.10	14.00	73	1,000 [472]
	RCFL-H*3621 (RGGD-06?MCK?)	27,800 [8.1]	21,300 [6.2]	6,500 [1.9]	11.75	13.50	73	1,000 [472]
	RCFL-H*3621 (RGGD-07?MCK?)	27,800 [8.1]	21,300 [6.2]	6,500 [1.9]	11.65	13.50	73	1,025 [484]
	RCFL-H*3621 (RGGE-06?MCK?)	27,800 [8.1]	21,300 [6.2]	6,500 [1.9]	11.85	13.50	73	1,025 [484]
	RCFL-H*3621 (RGGE-07?MCK?)	27,800 [8.1]	21,300 [6.2]	6,500 [1.9]	11.80	13.50	73	1,025 [484]
	RCFL-H*3621 (RGGE-09?ZCM?)	28,000 [8.2]	21,450 [6.3]	6,550 [1.9]	12.05	14.00	73	1,025 [484]
	RCFL-H*3621 (RGGE-10?ZCM?)	28,000 [8.2]	21,450 [6.3]	6,550 [1.9]	12.10	14.00	73	1,000 [472]
	RCFL-H*3621 (RGJD-06?MCK?)	27,800 [8.1]	21,300 [6.2]	6,500 [1.9]	11.75	13.50	73	1,000 [472]
	RCFL-H*3621 (RGJD-07?MCK?)	27,800 [8.1]	21,300 [6.2]	6,500 [1.9]	11.65	13.50	73	1,025 [484]
	RCFL-H*3621 (RGJF-06?MCK?)	27,800 [8.1]	21,300 [6.2]	6,500 [1.9]	11.80	13.50	73	1,025 [484]
	RCFL-H*3621 (RGJF-07?MCK?)	27,800 [8.1]	21,300 [6.2]	6,500 [1.9]	11.75	13.50	73	1,025 [484]
	RCFL-H*3621 (RGLR-07?AMK?)	28,000 [8.2]	21,450 [6.3]	6,550 [1.9]	11.50	14.00	73	1,025 [484]
	RCFL-H*3621 (RGLR-07?BRQ?)	27,600 [8.1]	20,650 [6.1]	6,950 [2.0]	12.00	14.50	73	925 [437]

① Highest sales volume tested combination required by D.O.E. test procedures.

[] Designates Metric Conversions

Performance Data @ AHRI Standard Conditions—Cooling (con't.)

Model Numbers		80°F [26.5°C] DB/67°F [19.5°C] WB Indoor Air 95°F [35°C] DB Outdoor Air					Sound Rating dB	Indoor CFM [L/s]
Outdoor Unit 13AJM	Indoor Coil and/or Air Handler	Total Capacity BTU/H [kW]	Net Sensible BTU/H [kW]	Net Latent BTU/H [kW]	EER	SEER		
Rev. 6/30/10	RCFL-H*3621 (RGLE-10?BRM?)	27,600 [8.1]	20,500 [6.0]	7,100 [2.1]	12.00	14.50	73	875 [413]
	RCFL-H*3621 (RGLR-07?AMK?)	28,000 [8.2]	21,500 [6.3]	6,500 [1.9]	11.95	14.00	73	1,025 [484]
	RCFL-H*3621 (RGLR-07?BRQ?)	28,000 [8.2]	21,450 [6.3]	6,550 [1.9]	12.30	14.00	73	1,000 [472]
	RCFL-H*3621 (RGLT-07?AME?)	27,600 [8.1]	20,700 [6.1]	6,900 [2.0]	11.50	14.00	73	925 [437]
	RCFL-H*3621 (RGLT-07?BRQ?)	28,000 [8.2]	21,450 [6.3]	6,550 [1.9]	12.00	14.50	73	1,000 [472]
	RCFL-H*3621 (RGLT-10?BRM?)	28,200 [8.3]	21,650 [6.3]	6,550 [1.9]	12.00	14.50	73	1,000 [472]
	RCFL-H*3621 (RGPE-05?BMK?)	27,600 [8.1]	20,900 [6.1]	6,700 [2.0]	11.50	13.50	73	975 [460]
	RCFL-H*3621 (RGPE-07?AMK?)	28,000 [8.2]	21,500 [6.3]	6,500 [1.9]	11.50	14.00	73	1,000 [472]
	RCFL-H*3621 (RGPE-07?BRQ?)	27,600 [8.1]	20,600 [6.0]	7,000 [2.1]	12.00	14.50	73	900 [425]
	RCFL-H*3621 (RGPE-10?BRM?)	27,600 [8.1]	20,600 [6.0]	7,000 [2.1]	12.00	14.50	73	900 [425]
	RCFL-H*3621 (RGPR-05?BMK?)	27,800 [8.1]	21,300 [6.2]	6,500 [1.9]	11.60	13.50	73	1,000 [472]
	RCFL-H*3621 (RGPR-07?AMK?)	27,800 [8.1]	21,300 [6.2]	6,500 [1.9]	11.90	14.00	73	1,000 [472]
	RCFL-H*3621 (RGPR-07?BRQ?)	28,000 [8.2]	21,450 [6.3]	6,550 [1.9]	12.30	14.50	73	1,000 [472]
	RCFL-H*3621 (RGPT-05?BMK?)	27,400 [8.0]	20,400 [6.0]	7,000 [2.1]	11.50	14.00	73	900 [425]
	RCFL-H*3621 (RGPT-07?AME?)	27,600 [8.1]	20,700 [6.1]	6,900 [2.0]	11.50	14.00	73	925 [437]
	RCFL-H*3621 (RGPT-07?BRQ?)	28,200 [8.3]	21,650 [6.3]	6,550 [1.9]	12.00	14.50	73	1,000 [472]
	RCFL-H*3621 (RGPT-10?BRM?)	28,200 [8.3]	21,650 [6.3]	6,550 [1.9]	12.00	14.50	73	1,000 [472]
	RCFL-H*3621 (RGRM-04?MAE?)	27,600 [8.1]	21,150 [6.2]	6,450 [1.9]	11.40	13.00	73	1,025 [484]
	RCFL-H*3621 (RGRM-06?MAE?)	27,800 [8.1]	21,350 [6.3]	6,450 [1.9]	11.60	13.50	73	1,000 [472]
	RCFL-H*3621 (RGRM-07?YBG?)	27,400 [8.0]	20,800 [6.1]	6,600 [1.9]	11.35	13.00	73	975 [460]
RCFL-H*3621 (RGTM-06?MAE?)	27,400 [8.0]	20,400 [6.0]	7,000 [2.1]	11.50	14.00	73	900 [425]	
RCFL-H*3621 (RGTM-07?RBG?)	27,600 [8.1]	20,800 [6.1]	6,800 [2.0]	11.50	14.00	73	950 [448]	
RCFL-H*3621 (RGTM-09?ZAJ?)	27,800 [8.1]	21,050 [6.2]	6,750 [2.0]	11.50	14.00	73	975 [460]	
ROCA-070E03 (RCFL-H*3621)	28,000 [8.2]	21,450 [6.3]	6,550 [1.9]	11.50	14.00	73	1,000 [472]	
ROCA-070E04 (RCFL-H*3621)	28,000 [8.2]	21,450 [6.3]	6,550 [1.9]	11.50	14.00	73	1,000 [472]	
ROLA-070E03 (RCFL-H*3621)	27,600 [8.1]	20,600 [6.0]	7,000 [2.1]	11.50	14.00	73	900 [425]	
ROLA-070E04 (RCFL-H*3621)	28,000 [8.2]	21,450 [6.3]	6,550 [1.9]	11.50	14.00	73	1,025 [484]	
ROLA-115E05 (RCFL-H*3621)	27,600 [8.1]	20,600 [6.0]	7,000 [2.1]	11.50	14.00	73	900 [425]	
RBHP-21 (RCHL-36A1)	27,400 [8.0]	20,150 [5.9]	7,250 [2.1]	12.15	14.00	73	1,000 [472]	
RCHL-36A1 (RGLE-07?AMK?)	26,800 [7.9]	19,200 [5.6]	7,600 [2.2]	11.50	14.00	73	875 [413]	
RCHL-36A1 (RGLE-07?BRQ?)	27,200 [8.0]	19,700 [5.8]	7,500 [2.2]	11.50	14.00	73	925 [437]	
RCQD-3621	28,600 [8.4]	23,300 [6.8]	5,300 [1.6]	11.00	13.00	73	1,025 [484]	
RCQD-3621 (RGFE-06?MCK?)	29,400 [8.6]	24,000 [7.0]	5,400 [1.6]	11.50	14.00	73	1,000 [472]	
RCQD-3621 (RGFE-07?MCK?)	28,800 [8.4]	22,750 [6.7]	6,050 [1.8]	11.50	14.00	73	875 [413]	
RCQD-3621 (RGFE-09?ZCM?)	29,400 [8.6]	23,750 [7.0]	5,650 [1.7]	12.00	14.50	73	975 [460]	
RCQD-3621 (RGFE-10?ZCM?)	29,200 [8.6]	23,250 [6.8]	5,950 [1.7]	12.00	14.50	73	900 [425]	
RCQD-3621 (RGJF-06?MCK?)	29,200 [8.6]	23,350 [6.8]	5,850 [1.7]	11.50	14.00	73	925 [437]	
RCQD-3621 (RGJF-07?MCK?)	28,800 [8.4]	22,750 [6.7]	6,050 [1.8]	11.50	14.00	73	875 [413]	
RCQD-3621 (RGJF-09?ZCM?)	29,600 [8.7]	24,150 [7.1]	5,450 [1.6]	12.00	14.50	73	1,000 [472]	
RCQD-3621 (RGJF-10?ZCM?)	29,600 [8.7]	24,150 [7.1]	5,450 [1.6]	12.00	14.50	73	1,000 [472]	
RCQD-3621 (RGPE-05?BMK?)	29,200 [8.6]	23,550 [6.9]	5,650 [1.7]	11.50	14.00	73	975 [460]	
RCQD-3621 (RGPE-07?AMK?)	29,000 [8.5]	23,050 [6.8]	5,950 [1.7]	11.50	14.50	73	900 [425]	
RCQD-3621 (RGPE-07?BRQ?)	29,200 [8.6]	23,200 [6.8]	6,000 [1.8]	12.00	14.50	73	900 [425]	
RCQD-3621 (RGPE-10?BRM?)	29,200 [8.6]	23,200 [6.8]	6,000 [1.8]	12.00	14.50	73	900 [425]	
RCQD-3621 (RGPR-05?BMK?)	28,800 [8.4]	22,900 [6.7]	5,900 [1.7]	11.50	14.00	73	900 [425]	
RCQD-3621 (RGPR-07?AMK?)	29,000 [8.5]	23,050 [6.8]	5,950 [1.7]	11.50	14.00	73	900 [425]	
RCQD-3621 (RGPR-07?BRQ?)	29,800 [8.7]	24,350 [7.1]	5,450 [1.6]	12.00	14.50	73	1,000 [472]	
RCQD-3621 (RGPR-10?BRM?)	29,200 [8.6]	23,350 [6.8]	5,850 [1.7]	12.00	14.50	73	925 [437]	
RCQD-3621 (RGPT-05?BMK?)	29,000 [8.5]	23,050 [6.8]	5,950 [1.7]	11.50	14.00	73	900 [425]	
RCQD-3621 (RGPT-07?AME?)	29,200 [8.6]	23,350 [6.8]	5,850 [1.7]	12.00	14.50	73	925 [437]	
RCQD-3621 (RGPT-07?BRQ?)	29,800 [8.7]	24,300 [7.1]	5,500 [1.6]	12.00	14.50	73	1,050 [495]	
RCQD-3621 (RGPT-10?BRM?)	29,800 [8.7]	24,300 [7.1]	5,500 [1.6]	12.00	14.50	73	1,050 [495]	
RCQD-3621 (RGRM-04?MAE?)	29,000 [8.5]	23,200 [6.8]	5,800 [1.7]	11.50	14.00	73	925 [437]	

① Highest sales volume tested combination required by D.O.E. test procedures.

[] Designates Metric Conversions

Performance Data @ AHRI Standard Conditions—Cooling (con't.)

Model Numbers		80°F [26.5°C] DB/67°F [19.5°C] WB Indoor Air 95°F [35°C] DB Outdoor Air					Sound Rating dB	Indoor CFM [L/s]	
Outdoor Unit 13AJM	Indoor Coil and/or Air Handler	Total Capacity BTU/H [kW]	Net Sensible BTU/H [kW]	Net Latent BTU/H [kW]	EER	SEER			
30	Rev. 1/25/12	RCQD-3621 (RGRM-06?MAE?)	29,000 [8.5]	23,100 [6.8]	5,900 [1.7]	11.50	14.00	73	900 [425]
		RCQD-3621 (RGRM-07?MAE?)	29,000 [8.5]	23,300 [6.8]	5,700 [1.7]	11.50	13.50	73	950 [448]
		RCQD-3621 (RGRM-07?YBG?)	29,000 [8.5]	23,400 [6.9]	5,600 [1.6]	11.50	13.50	73	975 [460]
		RCQD-3621 (RGRM-09?ZAJ?)	29,200 [8.6]	23,450 [6.9]	5,750 [1.7]	11.50	14.00	73	950 [448]
		RCQD-3621 (RGRM-10?ZAJ?)	29,000 [8.5]	22,950 [6.7]	6,050 [1.8]	11.50	14.00	73	875 [413]
		RCQD-3621 (RGTM-06?MAE?)	29,000 [8.5]	23,050 [6.8]	5,950 [1.7]	11.50	14.00	73	900 [425]
		RCQD-3621 (RGTM-07?RBG?)	29,400 [8.6]	23,650 [6.9]	5,750 [1.7]	12.00	14.50	73	950 [448]
		RCQD-3621 (RGTM-09?ZAJ?)	29,400 [8.6]	23,750 [7.0]	5,650 [1.7]	12.00	14.50	73	975 [460]
		ROCA-070E03 (RCQD-3621)	29,600 [8.7]	24,150 [7.1]	5,450 [1.6]	12.00	14.50	73	1,000 [472]
		ROCA-070E04 (RCQD-3621)	29,600 [8.7]	24,150 [7.1]	5,450 [1.6]	12.00	14.50	73	1,000 [472]
		ROLA-070E03 (RCQD-3621)	29,400 [8.6]	23,750 [7.0]	5,650 [1.7]	12.00	14.50	73	975 [460]
		ROLA-070E04 (RCQD-3621)	29,600 [8.7]	24,150 [7.1]	5,450 [1.6]	12.00	14.50	73	1,000 [472]
		ROLA-115E05 (RCQD-3621)	29,600 [8.7]	24,150 [7.1]	5,450 [1.6]	12.00	14.50	73	1,050 [495]
		RCQD-3624	29,000 [8.5]	23,800 [7.0]	5,200 [1.5]	11.50	13.00	73	1,025 [484]
		RCQD-3624 (RGFE-09?ZCM?)	29,600 [8.7]	24,000 [7.0]	5,600 [1.6]	12.00	14.50	73	975 [460]
		RCQD-3624 (RGFE-10?ZCM?)	29,800 [8.7]	24,400 [7.1]	5,400 [1.6]	12.00	14.50	73	1,000 [472]
		RCQD-3624 (RGFE-12?RCM?)	29,600 [8.7]	24,000 [7.0]	5,600 [1.6]	12.00	14.50	73	975 [460]
		RCQD-3624 (RGJF-09?ZCM?)	30,000 [8.8]	24,600 [7.2]	5,400 [1.6]	12.00	14.50	73	1,000 [472]
		RCQD-3624 (RGJF-10?ZCM?)	29,800 [8.7]	24,400 [7.1]	5,400 [1.6]	12.00	14.50	73	1,000 [472]
		RCQD-3624 (RGJF-12?RCM?)	29,200 [8.6]	23,200 [6.8]	6,000 [1.8]	12.00	14.50	73	875 [413]
		RCQD-3624 (RGPE-07?BRQ?)	29,400 [8.6]	23,500 [6.9]	5,900 [1.7]	12.00	14.50	73	900 [425]
		RCQD-3624 (RGPE-10?BRM?)	29,400 [8.6]	23,500 [6.9]	5,900 [1.7]	12.00	14.50	73	900 [425]
		RCQD-3624 (RGPE-12?ARM?)	29,200 [8.6]	23,200 [6.8]	6,000 [1.8]	12.00	14.50	73	875 [413]
		RCQD-3624 (RGPR-07?BRQ?)	29,400 [8.6]	23,400 [6.9]	6,000 [1.8]	12.00	14.50	73	875 [413]
		RCQD-3624 (RGPR-10?BRM?)	29,400 [8.6]	23,600 [6.9]	5,800 [1.7]	12.00	14.50	73	925 [437]
		RCQD-3624 (RGPR-12?ARM?)	30,000 [8.8]	24,600 [7.2]	5,400 [1.6]	12.00	14.50	73	1,000 [472]
		RCQD-3624 (RGPT-07?BRQ?)	30,000 [8.8]	24,600 [7.2]	5,400 [1.6]	12.00	14.50	73	1,050 [495]
		RCQD-3624 (RGPT-10?BRM?)	30,200 [8.8]	25,000 [7.3]	5,200 [1.5]	12.00	14.50	73	1,075 [507]
		RCQD-3624 (RGPT-12?ARM?)	29,800 [8.7]	24,150 [7.1]	5,650 [1.7]	12.00	14.50	73	975 [460]
		RCQD-3624 (RGRM-07?YBG?)	29,200 [8.6]	23,650 [6.9]	5,550 [1.6]	11.50	13.50	73	975 [460]
	RCQD-3624 (RGRM-09?ZAJ?)	29,400 [8.6]	23,700 [6.9]	5,700 [1.7]	12.00	14.50	73	950 [448]	
	RCQD-3624 (RGRM-10?ZAJ?)	29,200 [8.6]	23,200 [6.8]	6,000 [1.8]	12.00	14.50	73	875 [413]	
	RCQD-3624 (RGRM-12?RAJ?)	29,400 [8.6]	23,600 [6.9]	5,800 [1.7]	12.00	14.50	73	925 [437]	
	RCQD-3624 (RGTM-07?RBG?)	29,600 [8.7]	23,900 [7.0]	5,700 [1.7]	12.00	14.50	73	950 [448]	
	RCQD-3624 (RGTM-09?ZAJ?)	29,600 [8.7]	24,000 [7.0]	5,600 [1.6]	12.00	14.50	73	975 [460]	
	RCQD-3624 (RGTM-10?RBJ?)	29,800 [8.7]	24,200 [7.1]	5,600 [1.6]	12.00	14.50	73	975 [460]	
	ROCA-070E03 (RCQD-3624)	29,800 [8.7]	24,400 [7.1]	5,400 [1.6]	12.00	14.50	73	1,000 [472]	
	ROCA-070E04 (RCQD-3624)	29,800 [8.7]	24,400 [7.1]	5,400 [1.6]	12.00	14.50	73	1,000 [472]	
	ROLA-070E03 (RCQD-3624)	29,600 [8.7]	24,000 [7.0]	5,600 [1.6]	12.00	14.50	73	975 [460]	
	ROLA-070E04 (RCQD-3624)	29,600 [8.7]	24,000 [7.0]	5,600 [1.6]	12.00	14.50	73	975 [460]	
	ROLA-115E05 (RCQD-3624)	29,400 [8.6]	23,500 [6.9]	5,900 [1.7]	12.00	14.50	73	900 [425]	
	RHKL-HM3617 (RCSL-H*3617)	28,000 [8.2]	21,450 [6.3]	6,550 [1.9]	12.20	14.00	73	1,025 [484]	
	RHLL-HM3617 (RCSL-H*3617)	28,000 [8.2]	21,450 [6.3]	6,550 [1.9]	12.30	14.00	73	1,000 [472]	
	RHSL-HM3017 (RCSL-H*3617)	27,400 [8.0]	20,800 [6.1]	6,600 [1.9]	11.30	13.00	73	975 [460]	
36		RCFL-H*3617 ①	34,200 [10.0]	24,850 [7.3]	9,350 [2.7]	10.45	13.00	75	1,075 [507]
		RHAL-FR36P	34,800 [10.2]	26,150 [7.7]	8,650 [2.5]	10.45	13.00	75	1,175 [554]
		RHAL-FR36T	34,800 [10.2]	26,150 [7.7]	8,650 [2.5]	10.45	13.00	75	1,175 [554]
		RHBL-FR36T	34,800 [10.2]	26,150 [7.7]	8,650 [2.5]	11.10	14.00	75	1,150 [543]
		RCFL-A*3617	34,200 [10.0]	24,850 [7.3]	9,350 [2.7]	10.45	13.25	75	1,075 [507]
		RCFL-A*3617(RGFD-06?MCK?)	34,000 [10.0]	24,300 [7.1]	9,700 [2.8]	10.60	13.00	75	1,000 [472]
		RCFL-A*3617(RGFD-07?MCK?)	34,200 [10.0]	24,450 [7.2]	9,750 [2.9]	10.75	13.50	75	1,000 [472]
		RCFL-A*3617(RGFE-06?MCK?)	34,200 [10.0]	24,450 [7.2]	9,750 [2.9]	10.85	13.50	75	1,000 [472]
	RCFL-A*3617(RGFE-07?MCK?)	34,200 [10.0]	24,550 [7.2]	9,650 [2.8]	10.80	13.50	75	1,025 [484]	

① Highest sales volume tested combination required by D.O.E. test procedures.

[] Designates Metric Conversions

Performance Data @ AHRI Standard Conditions—Cooling (con't.)

Model Numbers		80°F [26.5°C] DB/67°F [19.5°C] WB Indoor Air 95°F [35°C] DB Outdoor Air					Sound Rating dB	Indoor CFM [L/s]
Outdoor Unit 13AJM	Indoor Coil and/or Air Handler	Total Capacity BTU/H [kW]	Net Sensible BTU/H [kW]	Net Latent BTU/H [kW]	EER	SEER		
Rev. 1/25/12	RCFL-A*3617(RGFG-06?MCK?)	34,200 [10.0]	24,400 [7.1]	9,800 [2.9]	10.75	13.50	75	1,000 [472]
	RCFL-A*3617(RGFG-07?MCK?)	34,400 [10.1]	25,000 [7.3]	9,400 [2.8]	10.70	13.50	75	1,050 [495]
	RCFL-A*3617(RGGD-06?MCK?)	34,200 [10.0]	24,450 [7.2]	9,750 [2.9]	11.00	13.50	75	1,000 [472]
	RCFL-A*3617(RGGD-07?MCK?)	34,200 [10.0]	24,550 [7.2]	9,650 [2.8]	10.45	13.50	75	1,025 [484]
	RCFL-A*3617(RGGE-06?MCK?)	34,400 [10.1]	24,700 [7.2]	9,700 [2.8]	11.00	13.50	75	1,025 [484]
	RCFL-A*3617(RGGE-07?MCK?)	34,400 [10.1]	24,700 [7.2]	9,700 [2.8]	10.95	13.50	75	1,025 [484]
	RCFL-A*3617(RGLE-07?AMK?)	34,400 [10.1]	24,700 [7.2]	9,700 [2.8]	10.75	14.00	75	1,025 [484]
	RCFL-A*3617(RGLR-07?AMK?)	34,400 [10.1]	24,700 [7.2]	9,700 [2.8]	11.50	14.00	75	1,025 [484]
	RCFL-A*3617(RGLT-07?AMK?)	34,800 [10.2]	25,300 [7.4]	9,500 [2.8]	10.75	14.00	75	1,050 [495]
	RCFL-A*3617(RGPE-05?BMK?)	34,200 [10.0]	24,300 [7.1]	9,900 [2.9]	10.75	13.50	75	975 [460]
36	RCFL-A*3617(RGPE-07?AMK?)	34,200 [10.0]	24,400 [7.1]	9,800 [2.9]	10.75	13.50	75	1,000 [472]
	RCFL-A*3617(RGPR-05?BMK?)	34,000 [10.0]	24,250 [7.1]	9,750 [2.9]	10.70	13.50	75	1,000 [472]
	RCFL-A*3617(RGPR-07?AMK?)	34,200 [10.0]	24,400 [7.1]	9,800 [2.9]	10.95	13.50	75	1,000 [472]
	RCFL-A*3617(RGPT-05?BMK?)	34,600 [10.1]	25,150 [7.4]	9,450 [2.8]	10.75	13.50	75	1,050 [495]
	RCFL-A*3617(RGPT-07?AMK?)	34,600 [10.1]	25,150 [7.4]	9,450 [2.8]	10.75	13.50	75	1,050 [495]
	RCFL-A*3617(RGRM-04?MAE?)	34,200 [10.0]	24,550 [7.2]	9,650 [2.8]	10.65	13.00	75	1,025 [484]
	RCFL-A*3617(RGRM-06?MAE?)	34,200 [10.0]	24,450 [7.2]	9,750 [2.9]	10.75	13.50	75	1,000 [472]
	RCFL-A*3617(RGRM-07?MAE?)	34,000 [10.0]	24,400 [7.1]	9,600 [2.8]	10.45	13.00	75	1,025 [484]
	RCFL-A*3617(RGTM-06?MAE?)	34,600 [10.1]	25,150 [7.4]	9,450 [2.8]	10.75	13.50	75	1,075 [507]
	RCFL-A*3617(ROCA-070E03)	34,400 [10.1]	24,600 [7.2]	9,800 [2.9]	10.75	14.00	75	1,000 [472]
	RCFL-A*3617(ROCA-070E04)	34,400 [10.1]	24,600 [7.2]	9,800 [2.9]	10.75	14.00	75	1,000 [472]
	RCFL-A*3617(ROLA-070E03)	34,200 [10.0]	24,250 [7.1]	9,950 [2.9]	10.75	14.00	75	975 [460]
	RCFL-A*3617(ROLA-070E04)	34,400 [10.1]	24,700 [7.2]	9,700 [2.8]	10.75	14.00	75	1,025 [484]
	RCFL-A*3621	34,200 [10.0]	24,850 [7.3]	9,350 [2.7]	10.45	13.25	75	1,075 [507]
	RCFL-A*3621(RGFD-06?MCK?)	34,000 [10.0]	24,250 [7.1]	9,750 [2.9]	10.60	13.00	75	1,000 [472]
	RCFL-A*3621(RGFD-07?MCK?)	34,200 [10.0]	24,450 [7.2]	9,750 [2.9]	10.80	13.50	75	1,000 [472]
	RCFL-A*3621(RGFD-09?ZCM?)	35,000 [10.3]	25,850 [7.6]	9,150 [2.7]	10.95	13.50	75	1,150 [543]
	RCFL-A*3621(RGFD-10?ZCM?)	35,000 [10.3]	26,000 [7.6]	9,000 [2.6]	10.80	13.50	75	1,175 [554]
	RCFL-A*3621(RGFE-06?MCK?)	34,200 [10.0]	24,450 [7.2]	9,750 [2.9]	10.85	13.50	75	1,000 [472]
	RCFL-A*3621(RGFE-07?MCK?)	34,200 [10.0]	24,550 [7.2]	9,650 [2.8]	10.80	13.50	75	1,025 [484]
	RCFL-A*3621(RGFE-09?ZCM?)	34,400 [10.1]	24,700 [7.2]	9,700 [2.8]	11.05	14.00	75	1,025 [484]
	RCFL-A*3621(RGFE-10?ZCM?)	35,200 [10.3]	26,450 [7.7]	8,750 [2.6]	10.70	13.50	75	1,225 [578]
	RCFL-A*3621(RGFG-06?MCK?)	34,200 [10.0]	24,400 [7.1]	9,800 [2.9]	10.75	13.50	75	1,000 [472]
	RCFL-A*3621(RGFG-07?MCK?)	34,600 [10.1]	25,000 [7.3]	9,600 [2.8]	10.75	13.50	75	1,050 [495]
	RCFL-A*3621(RGFG-09?ZCM?)	34,200 [10.0]	24,200 [7.1]	10,000 [2.9]	10.75	14.00	75	975 [460]
	RCFL-A*3621(RGFG-10?ZCM?)	34,400 [10.1]	24,600 [7.2]	9,800 [2.9]	11.10	14.00	75	1,000 [472]
	RCFL-A*3621(RGGD-06?MCK?)	34,200 [10.0]	24,400 [7.1]	9,800 [2.9]	11.00	13.50	75	1,000 [472]
	RCFL-A*3621(RGGD-07?MCK?)	34,200 [10.0]	24,550 [7.2]	9,650 [2.8]	10.85	13.50	75	1,025 [484]
	RCFL-A*3621(RGGD-09?ZCM?)	35,200 [10.3]	26,200 [7.7]	9,000 [2.6]	11.50	13.50	75	1,175 [554]
	RCFL-A*3621(RGGD-10?ZCM?)	35,200 [10.3]	26,200 [7.7]	9,000 [2.6]	11.50	13.50	75	1,175 [554]
	RCFL-A*3621(RGGE-06?MCK?)	34,400 [10.1]	24,700 [7.2]	9,700 [2.8]	11.00	13.50	75	1,025 [484]
	RCFL-A*3621(RGGE-07?MCK?)	34,400 [10.1]	24,700 [7.2]	9,700 [2.8]	10.95	13.50	75	1,025 [484]
	RCFL-A*3621(RGGE-09?ZCM?)	34,400 [10.1]	24,700 [7.2]	9,700 [2.8]	11.15	14.00	75	1,025 [484]
	RCFL-A*3621(RGGE-10?ZCM?)	34,800 [10.2]	25,300 [7.4]	9,500 [2.8]	11.15	14.00	75	1,050 [495]
	RCFL-A*3621(RGLE-07?AMK?)	34,400 [10.1]	24,700 [7.2]	9,700 [2.8]	10.75	14.00	75	1,025 [484]
	RCFL-A*3621(RGLE-07?BRQ?)	34,600 [10.1]	24,850 [7.3]	9,750 [2.9]	10.75	14.00	75	1,025 [484]
	RCFL-A*3621(RGLE-10?BRM?)	35,000 [10.3]	25,450 [7.5]	9,550 [2.8]	10.75	14.50	75	1,050 [495]
	RCFL-A*3621(RGLR-07?AMK?)	34,400 [10.1]	24,700 [7.2]	9,700 [2.8]	11.50	14.00	75	1,025 [484]
	RCFL-A*3621(RGLR-07?BRQ?)	35,400 [10.4]	26,600 [7.8]	8,800 [2.6]	11.10	14.00	75	1,225 [578]
	RCFL-A*3621(RGLR-10?BRM?)	35,400 [10.4]	26,450 [7.7]	8,950 [2.6]	11.15	14.00	75	1,200 [566]
RCFL-A*3621(RGLT-07?AMK?)	34,800 [10.2]	25,300 [7.4]	9,500 [2.8]	10.75	14.00	75	1,075 [507]	
RCFL-A*3621(RGLT-07?BRQ?)	34,400 [10.1]	24,450 [7.2]	9,950 [2.9]	10.75	14.00	75	975 [460]	
RCFL-A*3621(RGLT-10?BRM?)	34,400 [10.1]	24,400 [7.1]	10,000 [2.9]	10.75	14.00	75	975 [460]	

① Highest sales volume tested combination required by D.O.E. test procedures.

[] Designates Metric Conversions

Performance Data @ AHRI Standard Conditions—Cooling (con't.)

Model Numbers		80°F [26.5°C] DB/67°F [19.5°C] WB Indoor Air 95°F [35°C] DB Outdoor Air					Sound Rating dB	Indoor CFM [L/s]
Outdoor Unit 13AJM	Indoor Coil and/or Air Handler	Total Capacity BTU/H [kW]	Net Sensible BTU/H [kW]	Net Latent BTU/H [kW]	EER	SEER		
Rev. 1/25/12	RCFL-A*3621(RGPE-05?BMK?)	34,200 [10.0]	24,300 [7.1]	9,900 [2.9]	10.75	13.50	75	975 [460]
	RCFL-A*3621(RGPE-07?AMK?)	34,400 [10.1]	24,600 [7.2]	9,800 [2.9]	10.75	14.00	75	1,000 [472]
	RCFL-A*3621(RGPE-07?BRQ?)	35,400 [10.4]	26,600 [7.8]	8,800 [2.6]	10.75	14.00	75	1,225 [578]
	RCFL-A*3621(RGPE-10?BRM?)	35,400 [10.4]	26,600 [7.8]	8,800 [2.6]	11.50	14.00	75	1,225 [578]
	RCFL-A*3621(RGPR-05?BMK?)	34,200 [10.0]	24,450 [7.2]	9,750 [2.9]	10.75	13.50	75	1,000 [472]
	RCFL-A*3621(RGPR-07?AMK?)	34,200 [10.0]	24,400 [7.1]	9,800 [2.9]	11.00	14.00	75	1,000 [472]
	RCFL-A*3621(RGPR-07?BRQ?)	35,400 [10.4]	26,450 [7.7]	8,950 [2.6]	11.50	14.00	75	1,200 [566]
	RCFL-A*3621(RGPR-10?BRM?)	35,400 [10.4]	26,600 [7.8]	8,800 [2.6]	11.50	13.50	75	1,225 [578]
	RCFL-A*3621(RGPT-05?BMK?)	34,600 [10.1]	25,150 [7.4]	9,450 [2.8]	10.75	13.50	75	1,075 [507]
	RCFL-A*3621(RGPT-07?AMK?)	34,600 [10.1]	25,150 [7.4]	9,450 [2.8]	10.75	13.50	75	1,050 [495]
36	RCFL-A*3621(RGPT-07?BRQ?)	34,400 [10.1]	24,400 [7.1]	10,000 [2.9]	10.75	14.00	75	975 [460]
	RCFL-A*3621(RGPT-10?BRM?)	34,400 [10.1]	24,400 [7.1]	10,000 [2.9]	10.75	14.00	75	975 [460]
	RCFL-A*3621(RGRM-04?MAE?)	34,200 [10.0]	24,550 [7.2]	9,650 [2.8]	10.65	13.50	75	1,025 [484]
	RCFL-A*3621(RGRM-06?MAE?)	34,200 [10.0]	24,450 [7.2]	9,750 [2.9]	10.75	13.50	75	1,000 [472]
	RCFL-A*3621(RGRM-07?MAE?)	34,000 [10.0]	24,400 [7.1]	9,600 [2.8]	10.50	13.00	75	1,025 [484]
	RCFL-A*3621(RGRM-07?YBG?)	33,800 [9.9]	24,000 [7.0]	9,800 [2.9]	10.55	13.00	75	975 [460]
	RCFL-A*3621(RGRM-09?ZAJ?)	35,200 [10.3]	26,450 [7.7]	8,750 [2.6]	10.65	13.50	75	1,225 [578]
	RCFL-A*3621(RGRM-10?ZAJ?)	34,800 [10.2]	25,700 [7.5]	9,100 [2.7]	10.75	13.50	75	1,150 [543]
	RCFL-A*3621(RGTM-06?MAE?)	34,600 [10.1]	25,150 [7.4]	9,450 [2.8]	11.50	13.50	75	1,075 [507]
	RCFL-A*3621(RGTM-07?RBG?)	35,000 [10.3]	25,750 [7.5]	9,250 [2.7]	10.75	14.00	75	1,125 [531]
	RCFL-A*3621(RGTM-09?ZAJ?)	34,800 [10.2]	25,300 [7.4]	9,500 [2.8]	10.75	14.00	75	1,100 [519]
	RCFL-A*3621(ROCA-070E03)	34,400 [10.1]	24,600 [7.2]	9,800 [2.9]	10.75	14.00	75	1,000 [472]
	RCFL-A*3621(ROCA-070E04)	34,400 [10.1]	24,600 [7.2]	9,800 [2.9]	10.75	14.00	75	1,000 [472]
	RCFL-A*3621(ROLA-070E03)	34,200 [10.0]	24,250 [7.1]	9,950 [2.9]	10.75	14.00	75	975 [460]
	RCFL-A*3621(ROLA-070E04)	34,200 [10.0]	24,250 [7.1]	9,950 [2.9]	10.75	14.00	75	975 [460]
	RCFL-A*3621(ROLA-115E05)	34,800 [10.2]	25,300 [7.4]	9,500 [2.8]	10.75	14.00	75	1,050 [495]
	RCFL-H*3617(RGFD-06?MCK?)	34,000 [10.0]	24,300 [7.1]	9,700 [2.8]	10.60	13.00	75	1,000 [472]
	RCFL-H*3617(RGFD-07?MCK?)	34,200 [10.0]	24,450 [7.2]	9,750 [2.9]	10.75	13.50	75	1,000 [472]
	RCFL-H*3617(RGFE-06?MCK?)	34,200 [10.0]	24,450 [7.2]	9,750 [2.9]	10.85	13.50	75	1,000 [472]
	RCFL-H*3617(RGFE-07?MCK?)	34,200 [10.0]	24,550 [7.2]	9,650 [2.8]	10.80	13.50	75	1,025 [484]
	RCFL-H*3617(RGFG-06?MCK?)	34,200 [10.0]	24,400 [7.1]	9,800 [2.9]	10.75	13.50	75	1,000 [472]
	RCFL-H*3617(RGFG-07?MCK?)	34,400 [10.1]	25,000 [7.3]	9,400 [2.8]	10.75	13.50	75	1,050 [495]
	RCFL-H*3617(RGGD-06?MCK?)	34,200 [10.0]	24,450 [7.2]	9,750 [2.9]	11.00	13.50	75	1,000 [472]
	RCFL-H*3617(RGGD-07?MCK?)	34,200 [10.0]	24,550 [7.2]	9,650 [2.8]	10.75	13.50	75	1,025 [484]
	RCFL-H*3617(RGGE-06?MCK?)	34,400 [10.1]	24,700 [7.2]	9,700 [2.8]	11.00	13.50	75	1,025 [484]
	RCFL-H*3617(RGGE-07?MCK?)	34,400 [10.1]	24,700 [7.2]	9,700 [2.8]	10.95	13.50	75	1,025 [484]
	RCFL-H*3617(RGJD-06?MCK?)	34,200 [10.0]	24,450 [7.2]	9,750 [2.9]	11.00	13.50	75	1,000 [472]
	RCFL-H*3617(RGJD-07?MCK?)	34,200 [10.0]	24,550 [7.2]	9,650 [2.8]	11.00	13.50	75	1,025 [484]
	RCFL-H*3617(RGJF-06?MCK?)	35,000 [10.3]	26,200 [7.7]	8,800 [2.6]	10.55	13.00	75	1,200 [566]
	RCFL-H*3617(RGJF-07?MCK?)	34,400 [10.1]	24,700 [7.2]	9,700 [2.8]	10.90	13.50	75	1,025 [484]
	RCFL-H*3617(RGLE-07?AMK?)	34,400 [10.1]	24,700 [7.2]	9,700 [2.8]	10.75	14.00	75	1,025 [484]
	RCFL-H*3617(RGLR-07?AMK?)	34,400 [10.1]	24,700 [7.2]	9,700 [2.8]	11.50	14.00	75	1,025 [484]
	RCFL-H*3617(RGLT-07?AMK?)	34,800 [10.2]	25,300 [7.4]	9,500 [2.8]	10.75	14.00	75	1,050 [495]
	RCFL-H*3617(RGPE-05?BMK?)	34,200 [10.0]	24,300 [7.1]	9,900 [2.9]	10.75	13.50	75	975 [460]
	RCFL-H*3617(RGPE-07?AMK?)	34,200 [10.0]	24,400 [7.1]	9,800 [2.9]	10.75	13.50	75	1,000 [472]
	RCFL-H*3617(RGPR-05?BMK?)	34,000 [10.0]	24,250 [7.1]	9,750 [2.9]	10.70	13.50	75	1,000 [472]
RCFL-H*3617(RGPR-07?AMK?)	34,200 [10.0]	24,400 [7.1]	9,800 [2.9]	10.95	13.50	75	1,000 [472]	
RCFL-H*3617(RGPT-05?BMK?)	34,600 [10.1]	25,150 [7.4]	9,450 [2.8]	10.75	13.50	75	1,050 [495]	
RCFL-H*3617(RGPT-07?AMK?)	34,600 [10.1]	25,150 [7.4]	9,450 [2.8]	10.75	13.50	75	1,050 [495]	
RCFL-H*3617(RGRM-04?MAE?)	34,200 [10.0]	24,550 [7.2]	9,650 [2.8]	10.65	13.00	75	1,025 [484]	
RCFL-H*3617(RGRM-06?MAE?)	34,200 [10.0]	24,450 [7.2]	9,750 [2.9]	10.75	13.50	75	1,000 [472]	
RCFL-H*3617(RGRM-07?MAE?)	34,000 [10.0]	24,400 [7.1]	9,600 [2.8]	10.45	13.00	75	1,025 [484]	
RCFL-H*3617(RGTM-06?MAE?)	34,600 [10.1]	25,150 [7.4]	9,450 [2.8]	10.75	13.50	75	1,075 [507]	

① Highest sales volume tested combination required by D.O.E. test procedures.

[] Designates Metric Conversions

Performance Data @ AHRI Standard Conditions—Cooling (con't.)

Model Numbers		80°F [26.5°C] DB/67°F [19.5°C] WB Indoor Air 95°F [35°C] DB Outdoor Air					Sound Rating dB	Indoor CFM [L/s]
Outdoor Unit 13AJM	Indoor Coil and/or Air Handler	Total Capacity BTU/H [kW]	Net Sensible BTU/H [kW]	Net Latent BTU/H [kW]	EER	SEER		
Rev. 1/25/12	RCFL-H*3617(ROCA-070E03)	34,400 [10.1]	24,600 [7.2]	9,800 [2.9]	10.75	14.00	75	1,000 [472]
	RCFL-H*3617(ROCA-070E04)	34,400 [10.1]	24,600 [7.2]	9,800 [2.9]	10.75	14.00	75	1,000 [472]
	RCFL-H*3617(ROLA-070E03)	34,200 [10.0]	24,250 [7.1]	9,950 [2.9]	10.75	14.00	75	975 [460]
	RCFL-H*3617(ROLA-070E04)	34,400 [10.1]	24,700 [7.2]	9,700 [2.8]	10.75	14.00	75	1,025 [484]
	RCFL-H*3621	34,200 [10.0]	24,850 [7.3]	9,350 [2.7]	10.45	13.25	75	1,075 [507]
	RCFL-H*3621(RGFD-06?MCK?)	34,000 [10.0]	24,250 [7.1]	9,750 [2.9]	10.60	13.00	75	1,000 [472]
	RCFL-H*3621(RGFD-07?MCK?)	34,200 [10.0]	24,450 [7.2]	9,750 [2.9]	10.80	13.50	75	1,000 [472]
	RCFL-H*3621(RGFD-09?ZCM?)	35,000 [10.3]	25,850 [7.6]	9,150 [2.7]	11.50	13.50	75	1,150 [543]
	RCFL-H*3621(RGFD-10?ZCM?)	35,000 [10.3]	26,000 [7.6]	9,000 [2.6]	10.45	13.50	75	1,175 [554]
	RCFL-H*3621(RGFE-06?MCK?)	34,200 [10.0]	24,450 [7.2]	9,750 [2.9]	10.85	13.50	75	1,000 [472]
	RCFL-H*3621(RGFE-07?MCK?)	34,200 [10.0]	24,550 [7.2]	9,650 [2.8]	10.80	13.50	75	1,025 [484]
	RCFL-H*3621(RGFE-09?ZCM?)	34,400 [10.1]	24,700 [7.2]	9,700 [2.8]	11.05	14.00	75	1,025 [484]
	RCFL-H*3621(RGFE-10?ZCM?)	35,200 [10.3]	26,450 [7.7]	8,750 [2.6]	10.70	13.50	75	1,225 [578]
	RCFL-H*3621(RGFG-06?MCK?)	34,200 [10.0]	24,400 [7.1]	9,800 [2.9]	10.75	13.50	75	1,000 [472]
	RCFL-H*3621(RGFG-07?MCK?)	34,600 [10.1]	25,000 [7.3]	9,600 [2.8]	10.75	13.50	75	1,050 [495]
	RCFL-H*3621(RGFG-09?ZCM?)	34,200 [10.0]	24,200 [7.1]	10,000 [2.9]	10.75	14.00	75	975 [460]
	RCFL-H*3621(RGFG-10?ZCM?)	34,400 [10.1]	24,600 [7.2]	9,800 [2.9]	11.10	14.00	75	1,000 [472]
	RCFL-H*3621(RGGD-06?MCK?)	34,200 [10.0]	24,400 [7.1]	9,800 [2.9]	11.00	13.50	75	1,000 [472]
	RCFL-H*3621(RGGD-07?MCK?)	34,200 [10.0]	24,550 [7.2]	9,650 [2.8]	10.85	13.50	75	1,025 [484]
	RCFL-H*3621(RGGD-09?ZCM?)	35,200 [10.3]	26,200 [7.7]	9,000 [2.6]	11.50	13.50	75	1,175 [554]
	RCFL-H*3621(RGGD-10?ZCM?)	35,200 [10.3]	26,200 [7.7]	9,000 [2.6]	11.50	13.50	75	1,175 [554]
	RCFL-H*3621(RGGE-06?MCK?)	34,400 [10.1]	24,700 [7.2]	9,700 [2.8]	11.00	13.50	75	1,025 [484]
	RCFL-H*3621(RGGE-07?MCK?)	34,400 [10.1]	24,700 [7.2]	9,700 [2.8]	10.95	13.50	75	1,025 [484]
	RCFL-H*3621(RGGE-09?ZCM?)	34,400 [10.1]	24,700 [7.2]	9,700 [2.8]	11.15	14.00	75	1,025 [484]
	RCFL-H*3621(RGGE-10?ZCM?)	34,800 [10.2]	25,300 [7.4]	9,500 [2.8]	11.15	14.00	75	1,050 [495]
	RCFL-H*3621(RGJD-06?MCK?)	34,200 [10.0]	24,400 [7.1]	9,800 [2.9]	11.00	13.50	75	1,000 [472]
	RCFL-H*3621(RGJD-07?MCK?)	34,200 [10.0]	24,550 [7.2]	9,650 [2.8]	11.00	13.50	75	1,025 [484]
	RCFL-H*3621(RGJD-09?ZCM?)	35,200 [10.3]	26,200 [7.7]	9,000 [2.6]	11.50	13.50	75	1,175 [554]
	RCFL-H*3621(RGJD-10?ZCM?)	35,200 [10.3]	26,200 [7.7]	9,000 [2.6]	11.50	13.50	75	1,175 [554]
	RCFL-H*3621(RGJF-06?MCK?)	35,000 [10.3]	26,150 [7.7]	8,850 [2.6]	10.55	13.00	75	1,200 [566]
	RCFL-H*3621(RGJF-07?MCK?)	34,400 [10.1]	24,700 [7.2]	9,700 [2.8]	10.90	13.50	75	1,025 [484]
	RCFL-H*3621(RGJF-09?ZCM?)	35,400 [10.4]	26,600 [7.8]	8,800 [2.6]	10.90	13.50	75	1,225 [578]
	RCFL-H*3621(RGJF-10?ZCM?)	35,200 [10.3]	26,350 [7.7]	8,850 [2.6]	10.80	13.50	75	1,200 [566]
	RCFL-H*3621(RGLE-07?AMK?)	34,400 [10.1]	24,700 [7.2]	9,700 [2.8]	11.50	14.00	75	1,025 [484]
	RCFL-H*3621(RGLE-07?BRQ?)	34,600 [10.1]	24,850 [7.3]	9,750 [2.9]	10.75	14.00	75	1,025 [484]
	RCFL-H*3621(RGLE-10?BRM?)	35,000 [10.3]	25,450 [7.5]	9,550 [2.8]	11.25	14.50	75	1,050 [495]
RCFL-H*3621(RGLR-07?AMK?)	34,400 [10.1]	24,700 [7.2]	9,700 [2.8]	11.50	14.00	75	1,025 [484]	
RCFL-H*3621(RGLR-07?BRQ?)	35,400 [10.4]	26,600 [7.8]	8,800 [2.6]	11.10	14.00	75	1,225 [578]	
RCFL-H*3621(RGLR-10?BRM?)	35,400 [10.4]	26,450 [7.7]	8,950 [2.6]	11.15	14.00	75	1,200 [566]	
RCFL-H*3621(RGLT-07?AMK?)	34,800 [10.2]	25,300 [7.4]	9,500 [2.8]	10.75	14.00	75	1,075 [507]	
RCFL-H*3621(RGLT-07?BRQ?)	34,400 [10.1]	24,450 [7.2]	9,950 [2.9]	10.75	14.00	75	975 [460]	
RCFL-H*3621(RGLT-10?BRM?)	34,400 [10.1]	24,400 [7.1]	10,000 [2.9]	10.75	14.00	75	975 [460]	
RCFL-H*3621(RGPE-05?BMK?)	34,200 [10.0]	24,300 [7.1]	9,900 [2.9]	10.75	13.50	75	975 [460]	
RCFL-H*3621(RGPE-07?AMK?)	34,400 [10.1]	24,600 [7.2]	9,800 [2.9]	10.75	14.00	75	1,000 [472]	
RCFL-H*3621(RGPE-07?BRQ?)	35,400 [10.4]	26,600 [7.8]	8,800 [2.6]	10.75	14.00	75	1,225 [578]	
RCFL-H*3621(RGPE-10?BRM?)	35,400 [10.4]	26,600 [7.8]	8,800 [2.6]	10.75	14.00	75	1,225 [578]	
RCFL-H*3621(RGPR-05?BMK?)	34,200 [10.0]	24,450 [7.2]	9,750 [2.9]	10.75	13.50	75	1,000 [472]	
RCFL-H*3621(RGPR-07?AMK?)	34,200 [10.0]	24,400 [7.1]	9,800 [2.9]	11.00	14.00	75	1,000 [472]	
RCFL-H*3621(RGPR-07?BRQ?)	35,400 [10.4]	26,450 [7.7]	8,950 [2.6]	11.50	14.00	75	1,200 [566]	
RCFL-H*3621(RGPR-10?BRM?)	35,400 [10.4]	26,600 [7.8]	8,800 [2.6]	11.50	13.50	75	1,225 [578]	
RCFL-H*3621(RGPT-05?BMK?)	34,600 [10.1]	25,150 [7.4]	9,450 [2.8]	10.75	13.50	75	1,075 [507]	
RCFL-H*3621(RGPT-07?AMK?)	34,600 [10.1]	25,150 [7.4]	9,450 [2.8]	10.75	13.50	75	1,050 [495]	
RCFL-H*3621(RGPT-07?BRQ?)	34,400 [10.1]	24,400 [7.1]	10,000 [2.9]	10.75	14.00	75	975 [460]	

① Highest sales volume tested combination required by D.O.E. test procedures.

[] Designates Metric Conversions

Performance Data @ AHRI Standard Conditions—Cooling (con't.)

Model Numbers		80°F [26.5°C] DB/67°F [19.5°C] WB Indoor Air 95°F [35°C] DB Outdoor Air					Sound Rating dB	Indoor CFM [L/s]
Outdoor Unit 13AJM	Indoor Coil and/or Air Handler	Total Capacity BTU/H [kW]	Net Sensible BTU/H [kW]	Net Latent BTU/H [kW]	EER	SEER		
Rev. 1/25/12	RCFL-H*3621(RGPT-10?BRM?)	34,400 [10.1]	24,400 [7.1]	10,000 [2.9]	10.75	14.00	75	975 [460]
	RCFL-H*3621(RGRM-04?MAE?)	34,200 [10.0]	24,550 [7.2]	9,650 [2.8]	10.65	13.50	75	1,025 [484]
	RCFL-H*3621(RGRM-06?MAE?)	34,200 [10.0]	24,450 [7.2]	9,750 [2.9]	10.75	13.50	75	1,000 [472]
	RCFL-H*3621(RGRM-07?MAE?)	34,000 [10.0]	24,400 [7.1]	9,600 [2.8]	10.50	13.00	75	1,025 [484]
	RCFL-H*3621(RGRM-07?YBG?)	33,800 [9.9]	24,000 [7.0]	9,800 [2.9]	10.55	13.00	75	975 [460]
	RCFL-H*3621(RGRM-09?ZAJ?)	35,200 [10.3]	26,450 [7.7]	8,750 [2.6]	10.65	13.00	75	1,225 [578]
	RCFL-H*3621(RGRM-10?ZAJ?)	34,800 [10.2]	25,700 [7.5]	9,100 [2.7]	10.75	13.50	75	1,150 [543]
	RCFL-H*3621(RGTM-06?MAE?)	34,600 [10.1]	25,150 [7.4]	9,450 [2.8]	10.75	13.50	75	1,075 [507]
	RCFL-H*3621(RGTM-07?RBG?)	35,000 [10.3]	25,750 [7.5]	9,250 [2.7]	10.75	14.00	75	1,125 [531]
	RCFL-H*3621(RGTM-09?ZAJ?)	34,800 [10.2]	25,300 [7.4]	9,500 [2.8]	10.75	14.00	75	1,100 [519]
36	RCFL-H*3621(ROCA-070E03)	34,400 [10.1]	24,600 [7.2]	9,800 [2.9]	10.75	14.00	75	1,000 [472]
	RCFL-H*3621(ROCA-070E04)	34,400 [10.1]	24,600 [7.2]	9,800 [2.9]	10.75	14.00	75	1,000 [472]
	RCFL-H*3621(ROLA-070E03)	34,200 [10.0]	24,250 [7.1]	9,950 [2.9]	10.75	14.00	75	975 [460]
	RCFL-H*3621(ROLA-070E04)	34,200 [10.0]	24,250 [7.1]	9,950 [2.9]	10.75	14.00	75	975 [460]
	RCFL-H*3621(ROLA-115E05)	34,800 [10.2]	25,300 [7.4]	9,500 [2.8]	10.75	14.00	75	1,050 [495]
	RBHP-21(RCHL-36A1)	33,800 [9.9]	24,550 [7.2]	9,250 [2.7]	10.75	14.00	75	1,150 [543]
	RCHL-36A1(RGFD-09?ZCM?)	33,400 [9.8]	24,000 [7.0]	9,400 [2.8]	11.15	13.00	75	1,150 [543]
	RCHL-36A1(RGFD-10?ZCM?)	33,600 [9.8]	24,400 [7.1]	9,200 [2.7]	11.10	13.00	75	1,175 [554]
	RCHL-36A1(RGFE-09?ZCM?)	33,600 [9.8]	23,350 [6.8]	10,250 [3.0]	11.05	13.00	75	1,200 [566]
	RCHL-36A1(RGFE-10?ZCM?)	33,600 [9.8]	23,400 [6.9]	10,200 [3.0]	11.00	13.00	75	1,225 [578]
	RCHL-36A1(RGFE-12?RCM?)	33,800 [9.9]	23,550 [6.9]	10,250 [3.0]	11.25	13.50	75	1,225 [578]
	RCHL-36A1(RGGD-09?ZCM?)	33,800 [9.9]	24,600 [7.2]	9,200 [2.7]	11.25	13.50	75	1,175 [554]
	RCHL-36A1(RGGD-10?ZCM?)	33,800 [9.9]	24,600 [7.2]	9,200 [2.7]	11.25	13.50	75	1,175 [554]
	RCHL-36A1(RGGE-06?MCK?)	33,400 [9.8]	23,200 [6.8]	10,200 [3.0]	10.85	13.00	75	1,200 [566]
	RCHL-36A1(RGGE-09?ZCM?)	33,800 [9.9]	23,550 [6.9]	10,250 [3.0]	11.20	13.50	75	1,225 [578]
	RCHL-36A1(RGGE-10?ZCM?)	33,600 [9.8]	23,350 [6.8]	10,250 [3.0]	11.10	13.00	75	1,200 [566]
	RCHL-36A1(RGGE-12?RCM?)	33,800 [9.9]	23,500 [6.9]	10,300 [3.0]	11.40	13.50	75	1,200 [566]
	RCHL-36A1(RGJD-09?ZCM?)	33,800 [9.9]	24,600 [7.2]	9,200 [2.7]	11.25	13.50	75	1,175 [554]
	RCHL-36A1(RGJD-10?ZCM?)	33,800 [9.9]	24,600 [7.2]	9,200 [2.7]	11.25	13.50	75	1,175 [554]
	RCHL-36A1(RGJF-06?MCK?)	33,400 [9.8]	23,200 [6.8]	10,200 [3.0]	10.85	13.00	75	1,200 [566]
	RCHL-36A1(RGJF-09?ZCM?)	33,800 [9.9]	23,550 [6.9]	10,250 [3.0]	11.20	13.50	75	1,225 [578]
	RCHL-36A1(RGJF-10?ZCM?)	33,600 [9.8]	23,350 [6.8]	10,250 [3.0]	11.10	13.00	75	1,200 [566]
	RCHL-36A1(RGJF-12?RCM?)	33,800 [9.9]	23,500 [6.9]	10,300 [3.0]	11.40	13.50	75	1,200 [566]
	RCHL-36A1(RGLR-07?AMK?)	33,600 [9.8]	24,450 [7.2]	9,150 [2.7]	10.95	13.00	75	1,200 [566]
	RCHL-36A1(RGLR-07?BRQ?)	33,800 [9.9]	24,550 [7.2]	9,250 [2.7]	11.30	13.50	75	1,225 [578]
	RCHL-36A1(RGLR-10?BRM?)	33,800 [9.9]	24,550 [7.2]	9,250 [2.7]	11.35	13.50	75	1,200 [566]
	RCHL-36A1(RGPR-07?AMK?)	33,600 [9.8]	24,450 [7.2]	9,150 [2.7]	10.90	13.00	75	1,200 [566]
	RCHL-36A1(RGPR-07?BRQ?)	33,800 [9.9]	24,550 [7.2]	9,250 [2.7]	11.35	13.50	75	1,200 [566]
	RCHL-36A1(RGPR-10?BRM?)	33,800 [9.9]	24,600 [7.2]	9,200 [2.7]	11.20	13.50	75	1,225 [578]
	RCHL-36A1(RGRM-09?ZAJ?)	33,400 [9.8]	24,250 [7.1]	9,150 [2.7]	10.85	13.00	75	1,225 [578]
	RCHL-36A1(RGTM-07?RBG?)	33,200 [9.7]	22,250 [6.5]	10,950 [3.2]	11.00	13.50	75	1,050 [495]
	RCHL-36A1(RGTM-10?RBJ?)	33,800 [9.9]	23,500 [6.9]	10,300 [3.0]	11.00	13.50	75	1,225 [578]
	RCQD-3621(RGFG-06?MCK?)	35,200 [10.3]	27,000 [7.9]	8,200 [2.4]	10.75	14.00	75	1,000 [472]
	RCQD-3621(RGFG-07?MCK?)	35,600 [10.4]	27,750 [8.1]	7,850 [2.3]	11.15	14.00	75	1,050 [495]
	RCQD-3621(RGFG-09?ZCM?)	35,400 [10.4]	27,300 [8.0]	8,100 [2.4]	10.75	14.00	75	1,025 [484]
	RCQD-3621(RGFG-10?ZCM?)	35,400 [10.4]	27,200 [8.0]	8,200 [2.4]	11.25	14.00	75	1,000 [472]
	RCQD-3621(RGPT-05?BMK?)	36,000 [10.5]	28,050 [8.2]	7,950 [2.3]	10.75	14.00	75	1,100 [519]
	RCQD-3621(RGPT-07?AMK?)	36,000 [10.5]	28,050 [8.2]	7,950 [2.3]	10.75	14.00	75	1,100 [519]
	RCQD-3621(RGPT-07?BRQ?)	36,400 [10.7]	28,350 [8.3]	8,050 [2.4]	11.25	14.50	75	1,050 [495]
	RCQD-3621(RGPT-10?BRM?)	36,400 [10.7]	28,350 [8.3]	8,050 [2.4]	11.25	14.50	75	1,050 [495]
RCQD-3621(ROCA-070E03)	36,600 [10.7]	29,250 [8.6]	7,350 [2.2]	10.75	14.00	75	1,200 [566]	
RCQD-3621(ROCA-070E04)	36,600 [10.7]	29,250 [8.6]	7,350 [2.2]	10.72	14.00	75	1,200 [566]	
RCQD-3621(ROLA-070E03)	36,800 [10.8]	29,300 [8.6]	7,500 [2.2]	11.25	14.50	75	1,175 [554]	

① Highest sales volume tested combination required by D.O.E. test procedures.

[] Designates Metric Conversions

Performance Data @ AHRI Standard Conditions—Cooling (con't.)

Model Numbers		80°F [26.5°C] DB/67°F [19.5°C] WB Indoor Air 95°F [35°C] DB Outdoor Air					Sound Rating dB	Indoor CFM [L/s]
Outdoor Unit 13AJM	Indoor Coil and/or Air Handler	Total Capacity BTU/H [kW]	Net Sensible BTU/H [kW]	Net Latent BTU/H [kW]	EER	SEER		
Rev. 1/25/12 36	RCQD-3621(ROLA-070E04)	36,000 [10.5]	27,750 [8.1]	8,250 [2.4]	11.25	14.50	75	1,025 [484]
	RCQD-3621(ROLA-115E05)	37,000 [10.8]	29,600 [8.7]	7,400 [2.2]	11.25	14.50	75	1,200 [566]
	RCQD-3624(RGFG-09?ZCM?)	35,400 [10.4]	27,500 [8.1]	7,900 [2.3]	11.25	14.50	75	1,025 [484]
	RCQD-3624(RGFG-10?ZCM?)	35,200 [10.3]	27,200 [8.0]	8,000 [2.3]	11.25	14.50	75	1,000 [472]
	RCQD-3624(RGFG-12?RCM?)	35,400 [10.4]	27,500 [8.1]	7,900 [2.3]	11.25	14.50	75	1,025 [484]
	RCQD-3624(RGPT-07?BRQ?)	36,400 [10.7]	28,550 [8.4]	7,850 [2.3]	11.00	14.50	75	1,050 [495]
	RCQD-3624(RGPT-10?BRM?)	36,400 [10.7]	28,550 [8.4]	7,850 [2.3]	11.00	14.50	75	1,075 [507]
	RCQD-3624(RGPT-12?ARM?)	37,200 [10.9]	30,100 [8.8]	7,100 [2.1]	11.00	14.50	75	1,225 [578]
	RCQD-3624(ROCA-070E04)	36,600 [10.7]	29,450 [8.6]	7,150 [2.1]	10.75	14.00	75	1,200 [566]
	RCQD-3624(ROLA-115E05)	36,200 [10.6]	28,400 [8.3]	7,800 [2.3]	11.25	14.50	75	1,050 [495]
	RHKL-HM3617(RCSL-H*3617)	35,400 [10.4]	26,600 [7.8]	8,800 [2.6]	11.05	14.00	75	1,225 [578]
	RHLL-HM3617(RCSL-H*3617)	35,400 [10.4]	26,450 [7.7]	8,950 [2.6]	11.25	14.00	75	1,200 [566]
RHSL-HM3617(RCSL-H*3617)	34,200 [10.0]	24,850 [7.3]	9,350 [2.7]	10.45	13.00	75	1,100 [519]	
RHSL-HM3621(RCSL-H*3621)	34,400 [10.1]	25,250 [7.4]	9,150 [2.7]	10.45	13.00	75	1,125 [531]	
42	RCFL-H*4821 ①	41,000 [12.0]	30,550 [9.0]	10,450 [3.1]	11.05	13.00	77	1,400 [661]
	RCFL-A*4821	41,000 [12.0]	30,550 [9.0]	10,450 [3.1]	11.05	13.00	77	1,400 [661]
	RCFL-A*4821 (RGFD-06?MCK?)	40,000 [11.7]	28,300 [8.3]	11,700 [3.4]	11.00	13.00	77	1,175 [554]
	RCFL-A*4821 (RGFD-09?ZCM?)	41,000 [12.0]	30,050 [8.8]	10,950 [3.2]	11.35	13.00	77	1,325 [625]
	RCFL-A*4821 (RGFD-10?ZCM?)	41,000 [12.0]	30,050 [8.8]	10,950 [3.2]	11.25	13.00	77	1,325 [625]
	RCFL-A*4821 (RGFE-09?ZCM?)	40,500 [11.9]	28,800 [8.4]	11,700 [3.4]	11.55	13.50	77	1,200 [566]
	RCFL-A*4821 (RGFE-10?ZCM?)	40,500 [11.9]	28,950 [8.5]	11,550 [3.4]	11.55	13.50	77	1,225 [578]
	RCFL-A*4821 (RGGD-06?MCK?)	40,500 [11.9]	29,000 [8.5]	11,500 [3.4]	11.15	13.00	77	1,225 [578]
	RCFL-A*4821 (RGGD-07?MCK?)	40,500 [11.9]	29,050 [8.5]	11,450 [3.4]	11.05	13.00	77	1,225 [578]
	RCFL-A*4821 (RGGD-09?ZCM?)	41,500 [12.2]	30,950 [9.1]	10,550 [3.1]	11.30	13.00	77	1,425 [672]
	RCFL-A*4821 (RGGD-10?ZCM?)	41,500 [12.2]	30,950 [9.1]	10,550 [3.1]	11.35	13.00	77	1,425 [672]
	RCFL-A*4821 (RGGE-06?MCK?)	40,500 [11.9]	28,850 [8.5]	11,650 [3.4]	11.35	13.00	77	1,200 [566]
	RCFL-A*4821 (RGGE-07?MCK?)	40,500 [11.9]	28,850 [8.5]	11,650 [3.4]	11.25	13.00	77	1,200 [566]
	RCFL-A*4821 (RGGE-09?ZCM?)	41,000 [12.0]	29,400 [8.6]	11,600 [3.4]	11.70	13.50	77	1,225 [578]
	RCFL-A*4821 (RGGE-10?ZCM?)	40,500 [11.9]	28,800 [8.4]	11,700 [3.4]	11.55	13.50	77	1,200 [566]
	RCFL-A*4821 (RGLE-07?AMK?)	40,500 [11.9]	28,800 [8.4]	11,700 [3.4]	11.50	13.50	77	1,200 [566]
	RCFL-A*4821 (RGLE-07?BRQ?)	41,000 [12.0]	29,350 [8.6]	11,650 [3.4]	11.50	14.00	77	1,225 [578]
	RCFL-A*4821 (RGLE-10?BRM?)	41,000 [12.0]	29,200 [8.6]	11,800 [3.5]	11.50	14.00	77	1,200 [566]
	RCFL-A*4821 (RGLR-07?AMK?)	40,500 [11.9]	28,800 [8.4]	11,700 [3.4]	11.45	13.50	77	1,200 [566]
	RCFL-A*4821 (RGLR-07?BRQ?)	41,000 [12.0]	29,350 [8.6]	11,650 [3.4]	11.85	14.00	77	1,225 [578]
	RCFL-A*4821 (RGLR-10?BRM?)	41,500 [12.2]	30,900 [9.1]	10,600 [3.1]	11.75	13.50	77	1,375 [649]
	RCFL-A*4821 (RGLT-07?AME?)	41,000 [12.0]	30,200 [8.8]	10,800 [3.2]	11.50	13.00	77	1,350 [637]
	RCFL-A*4821 (RGLT-07?BRQ?)	41,000 [12.0]	29,500 [8.6]	11,500 [3.4]	11.50	14.00	77	1,250 [590]
	RCFL-A*4821 (RGLT-10?BRM?)	41,000 [12.0]	29,500 [8.6]	11,500 [3.4]	11.50	14.00	77	1,250 [590]
	RCFL-A*4821 (RGPE-05?BMK?)	40,500 [11.9]	28,850 [8.5]	11,650 [3.4]	11.00	13.00	77	1,200 [566]
	RCFL-A*4821 (RGPE-07?AMK?)	40,500 [11.9]	28,950 [8.5]	11,550 [3.4]	11.00	13.50	77	1,225 [578]
	RCFL-A*4821 (RGPE-07?BRQ?)	41,000 [12.0]	29,350 [8.6]	11,650 [3.4]	11.50	14.00	77	1,225 [578]
	RCFL-A*4821 (RGPE-10?BRM?)	41,000 [12.0]	29,350 [8.6]	11,650 [3.4]	11.50	14.00	77	1,225 [578]
	RCFL-A*4821 (RGPR-05?BMK?)	40,500 [11.9]	28,900 [8.5]	11,600 [3.4]	11.05	13.00	77	1,200 [566]
	RCFL-A*4821 (RGPR-07?AMK?)	40,500 [11.9]	28,800 [8.4]	11,700 [3.4]	11.40	13.50	77	1,200 [566]
	RCFL-A*4821 (RGPR-07?BRQ?)	41,500 [12.2]	30,900 [9.1]	10,600 [3.1]	11.70	13.50	77	1,400 [661]
	RCFL-A*4821 (RGPR-10?BRM?)	41,500 [12.2]	30,950 [9.1]	10,550 [3.1]	11.45	13.50	77	1,425 [672]
	RCFL-A*4821 (RGPT-05?BMK?)	40,500 [11.9]	29,000 [8.5]	11,500 [3.4]	11.00	13.00	77	1,225 [578]
	RCFL-A*4821 (RGPT-07?AME?)	41,000 [12.0]	30,200 [8.8]	10,800 [3.2]	11.00	13.00	77	1,350 [637]
	RCFL-A*4821 (RGPT-07?BRQ?)	41,000 [12.0]	29,500 [8.6]	11,500 [3.4]	11.50	14.00	77	1,250 [590]
	RCFL-A*4821 (RGPT-10?BRM?)	41,000 [12.0]	29,350 [8.6]	11,650 [3.4]	11.50	14.00	77	1,225 [578]
	RCFL-A*4821 (RGRM-09?ZAJ?)	40,500 [11.9]	28,950 [8.5]	11,550 [3.4]	11.40	13.50	77	1,225 [578]
	RCFL-A*4821 (RGTM-07?RBG?)	41,000 [12.0]	29,950 [8.8]	11,050 [3.2]	11.50	13.50	77	1,325 [625]
	RCFL-A*4821 (RGTM-09?ZAJ?)	41,000 [12.0]	29,550 [8.7]	11,450 [3.4]	11.50	13.50	77	1,250 [590]

① Highest sales volume tested combination required by D.O.E. test procedures.

[] Designates Metric Conversions

Performance Data @ AHRI Standard Conditions—Cooling (con't.)

Model Numbers		80°F [26.5°C] DB/67°F [19.5°C] WB Indoor Air 95°F [35°C] DB Outdoor Air					Sound Rating dB	Indoor CFM [L/s]
Outdoor Unit 13AJM	Indoor Coil and/or Air Handler	Total Capacity BTU/H [kW]	Net Sensible BTU/H [kW]	Net Latent BTU/H [kW]	EER	SEER		
Rev. 6/30/10	ROCA-070E03 (RCFL-A*4821)	40,500 [11.9]	28,800 [8.4]	11,700 [3.4]	11.50	13.50	77	1,200 [566]
	ROCA-070E04 (RCFL-A*4821)	40,500 [11.9]	28,800 [8.4]	11,700 [3.4]	11.50	13.50	77	1,200 [566]
	ROLA-070E03 (RCFL-A*4821)	40,500 [11.9]	28,600 [8.4]	11,900 [3.5]	11.50	13.50	77	1,175 [554]
	ROLA-070E04 (RCFL-A*4821)	41,500 [12.2]	30,900 [9.1]	10,600 [3.1]	11.50	13.50	77	1,375 [649]
	ROLA-115E05 (RCFL-A*4821)	41,000 [12.0]	29,200 [8.6]	11,800 [3.5]	11.50	14.00	77	1,200 [566]
	RCFL-A*4824	41,000 [12.0]	30,550 [9.0]	10,450 [3.1]	11.05	13.00	77	1,400 [661]
	RCFL-A*4824 (RGFD-09?ZCM?)	41,000 [12.0]	30,050 [8.8]	10,950 [3.2]	11.35	13.00	77	1,325 [625]
	RCFL-A*4824 (RGFD-10?ZCM?)	41,000 [12.0]	30,050 [8.8]	10,950 [3.2]	11.20	13.00	77	1,325 [625]
	RCFL-A*4824 (RGFD-12?RCM?)	41,500 [12.2]	31,400 [9.2]	10,100 [3.0]	11.35	13.00	77	1,475 [696]
	RCFL-A*4824 (RGFE-09?ZCM?)	40,500 [11.9]	28,800 [8.4]	11,700 [3.4]	11.55	13.50	77	1,200 [566]
	RCFL-A*4824 (RGFE-10?ZCM?)	40,500 [11.9]	28,950 [8.5]	11,550 [3.4]	11.50	13.50	77	1,225 [578]
	RCFL-A*4824 (RGFE-12?RCM?)	41,000 [12.0]	29,400 [8.6]	11,600 [3.4]	11.75	13.50	77	1,225 [578]
	RCFL-A*4824 (RGGD-09?ZCM?)	41,500 [12.2]	30,950 [9.1]	10,550 [3.1]	11.30	13.00	77	1,425 [672]
	RCFL-A*4824 (RGGD-10?ZCM?)	41,500 [12.2]	30,950 [9.1]	10,550 [3.1]	11.35	13.00	77	1,425 [672]
	RCFL-A*4824 (RGGD-12?RCM?)	41,000 [12.0]	29,350 [8.6]	11,650 [3.4]	11.80	14.00	77	1,225 [578]
	RCFL-A*4824 (RGGE-09?ZCM?)	41,000 [12.0]	29,400 [8.6]	11,600 [3.4]	11.70	13.50	77	1,225 [578]
	RCFL-A*4824 (RGGE-10?ZCM?)	40,500 [11.9]	28,800 [8.4]	11,700 [3.4]	11.55	13.50	77	1,200 [566]
	RCFL-A*4824 (RGGE-12?RCM?)	41,000 [12.0]	29,200 [8.6]	11,800 [3.5]	11.85	14.00	77	1,200 [566]
	RCFL-A*4824 (RGLE-07?BRQ?)	41,000 [12.0]	29,350 [8.6]	11,650 [3.4]	11.50	14.00	77	1,225 [578]
	RCFL-A*4824 (RGLE-10?BRM?)	41,000 [12.0]	29,200 [8.6]	11,800 [3.5]	11.50	14.00	77	1,200 [566]
RCFL-A*4824 (RGLE-12?ARM?)	41,000 [12.0]	29,350 [8.6]	11,650 [3.4]	11.50	14.00	77	1,225 [578]	
RCFL-A*4824 (RGLR-07?BRQ?)	41,000 [12.0]	29,350 [8.6]	11,650 [3.4]	11.85	14.00	77	1,225 [578]	
RCFL-A*4824 (RGLR-10?BRM?)	41,500 [12.2]	30,900 [9.1]	10,600 [3.1]	11.75	13.50	77	1,375 [649]	
RCFL-A*4824 (RGLR-12?ARM?)	41,000 [12.0]	29,350 [8.6]	11,650 [3.4]	11.90	14.00	77	1,225 [578]	
RCFL-A*4824 (RGLT-07?BRQ?)	41,000 [12.0]	29,500 [8.6]	11,500 [3.4]	11.50	14.00	77	1,250 [590]	
RCFL-A*4824 (RGLT-10?BRM?)	41,000 [12.0]	29,500 [8.6]	11,500 [3.4]	11.50	14.00	77	1,250 [590]	
RCFL-A*4824 (RGLT-12?ARM?)	42,000 [12.3]	31,350 [9.2]	10,650 [3.1]	11.50	14.00	77	1,375 [649]	
RCFL-A*4824 (RGPE-07?BRQ?)	41,000 [12.0]	29,350 [8.6]	11,650 [3.4]	11.50	14.00	77	1,225 [578]	
RCFL-A*4824 (RGPE-10?BRM?)	41,000 [12.0]	29,350 [8.6]	11,650 [3.4]	11.50	14.00	77	1,225 [578]	
RCFL-A*4824 (RGPE-12?ARM?)	41,000 [12.0]	29,200 [8.6]	11,800 [3.5]	11.50	14.00	77	1,200 [566]	
RCFL-A*4824 (RGPR-07?BRQ?)	41,500 [12.2]	30,900 [9.1]	10,600 [3.1]	11.65	13.50	77	1,400 [661]	
RCFL-A*4824 (RGPR-10?BRM?)	41,500 [12.2]	30,950 [9.1]	10,550 [3.1]	11.45	13.50	77	1,425 [672]	
RCFL-A*4824 (RGPR-12?ARM?)	41,500 [12.2]	30,900 [9.1]	10,600 [3.1]	11.70	13.50	77	1,400 [661]	
RCFL-A*4824 (RGPT-07?BRQ?)	41,000 [12.0]	29,350 [8.6]	11,650 [3.4]	11.50	14.00	77	1,225 [578]	
RCFL-A*4824 (RGPT-10?BRM?)	41,000 [12.0]	29,350 [8.6]	11,650 [3.4]	11.50	14.00	77	1,225 [578]	
RCFL-A*4824 (RGPT-12?ARM?)	42,000 [12.3]	31,350 [9.2]	10,650 [3.1]	11.50	14.00	77	1,375 [649]	
RCFL-A*4824 (RGRM-09?ZAJ?)	40,500 [11.9]	28,950 [8.5]	11,550 [3.4]	11.40	13.00	77	1,225 [578]	
RCFL-A*4824 (RGTM-07?RBG?)	41,000 [12.0]	29,950 [8.8]	11,050 [3.2]	11.50	13.50	77	1,325 [625]	
RCFL-A*4824 (RGTM-09?ZAJ?)	41,000 [12.0]	29,550 [8.7]	11,450 [3.4]	11.50	13.50	77	1,250 [590]	
RCFL-A*4824 (RGTM-10?RBJ?)	41,000 [12.0]	29,350 [8.6]	11,650 [3.4]	11.50	14.00	77	1,225 [578]	
ROCA-070E03 (RCFL-A*4824)	40,500 [11.9]	28,800 [8.4]	11,700 [3.4]	11.50	13.50	77	1,200 [566]	
ROCA-070E04 (RCFL-A*4824)	40,500 [11.9]	28,800 [8.4]	11,700 [3.4]	11.50	13.50	77	1,200 [566]	
ROLA-070E03 (RCFL-A*4824)	40,500 [11.9]	28,600 [8.4]	11,900 [3.5]	11.50	13.50	77	1,175 [554]	
ROLA-070E04 (RCFL-A*4824)	41,500 [12.2]	30,900 [9.1]	10,600 [3.1]	11.50	13.50	77	1,375 [649]	
ROLA-115E05 (RCFL-A*4824)	41,000 [12.0]	29,250 [8.6]	11,750 [3.4]	11.50	14.00	77	1,200 [566]	
RCFL-H*4821 (RGFD-06?MCK?)	40,000 [11.7]	28,300 [8.3]	11,700 [3.4]	11.00	13.00	77	1,175 [554]	
RCFL-H*4821 (RGFD-09?ZCM?)	41,000 [12.0]	30,050 [8.8]	10,950 [3.2]	11.35	13.00	77	1,325 [625]	
RCFL-H*4821 (RGFD-10?ZCM?)	41,000 [12.0]	30,050 [8.8]	10,950 [3.2]	11.25	13.00	77	1,325 [625]	
RCFL-H*4821 (RGFE-09?ZCM?)	40,500 [11.9]	28,800 [8.4]	11,700 [3.4]	11.55	13.50	77	1,200 [566]	
RCFL-H*4821 (RGFE-10?ZCM?)	40,500 [11.9]	28,950 [8.5]	11,550 [3.4]	11.55	13.50	77	1,225 [578]	
RCFL-H*4821 (RGGD-06?MCK?)	40,500 [11.9]	29,000 [8.5]	11,500 [3.4]	11.15	13.00	77	1,225 [578]	
RCFL-H*4821 (RGGD-07?MCK?)	40,500 [11.9]	29,050 [8.5]	11,450 [3.4]	11.05	13.00	77	1,225 [578]	
RCFL-H*4821 (RGGD-09?ZCM?)	41,500 [12.2]	30,950 [9.1]	10,550 [3.1]	11.30	13.00	77	1,425 [672]	

④ Highest sales volume tested combination required by D.O.E. test procedures.

[] Designates Metric Conversions

Performance Data @ AHRI Standard Conditions—Cooling (con't.)

Model Numbers		80°F [26.5°C] DB/67°F [19.5°C] WB Indoor Air 95°F [35°C] DB Outdoor Air					Sound Rating dB	Indoor CFM [L/s]
Outdoor Unit 13AJM	Indoor Coil and/or Air Handler	Total Capacity BTU/H [kW]	Net Sensible BTU/H [kW]	Net Latent BTU/H [kW]	EER	SEER		
Rev. 6/30/10	RCFL-H*4821 (RGGD-10?ZCM?)	41,500 [12.2]	30,950 [9.1]	10,550 [3.1]	11.35	13.00	77	1,425 [672]
	RCFL-H*4821 (RGGE-06?MCK?)	40,500 [11.9]	28,850 [8.5]	11,650 [3.4]	11.35	13.00	77	1,200 [566]
	RCFL-H*4821 (RGGE-07?MCK?)	40,500 [11.9]	28,850 [8.5]	11,650 [3.4]	11.25	13.00	77	1,200 [566]
	RCFL-H*4821 (RGGE-09?ZCM?)	41,000 [12.0]	29,400 [8.6]	11,600 [3.4]	11.70	13.50	77	1,225 [578]
	RCFL-H*4821 (RGGE-10?ZCM?)	40,500 [11.9]	28,800 [8.4]	11,700 [3.4]	11.55	13.50	77	1,200 [566]
	RCFL-H*4821 (RGJD-06?MCK?)	40,500 [11.9]	29,000 [8.5]	11,500 [3.4]	11.15	13.00	77	1,225 [578]
	RCFL-H*4821 (RGJD-07?MCK?)	40,500 [11.9]	29,050 [8.5]	11,450 [3.4]	11.10	13.00	77	1,225 [578]
	RCFL-H*4821 (RGJD-09?ZCM?)	41,500 [12.2]	30,950 [9.1]	10,550 [3.1]	11.35	13.00	77	1,425 [672]
	RCFL-H*4821 (RGJD-10?ZCM?)	41,500 [12.2]	30,950 [9.1]	10,550 [3.1]	11.35	13.00	77	1,425 [672]
	RCFL-H*4821 (RGJF-06?MCK?)	40,500 [11.9]	28,850 [8.5]	11,650 [3.4]	11.35	13.00	77	1,200 [566]
	RCFL-H*4821 (RGJF-07?MCK?)	40,500 [11.9]	28,850 [8.5]	11,650 [3.4]	11.25	13.00	77	1,200 [566]
	RCFL-H*4821 (RGJF-09?ZCM?)	41,000 [12.0]	29,400 [8.6]	11,600 [3.4]	11.70	13.50	77	1,225 [578]
	RCFL-H*4821 (RGJF-10?ZCM?)	40,500 [11.9]	28,750 [8.4]	11,750 [3.4]	11.60	13.50	77	1,200 [566]
	RCFL-H*4821 (RGLE-07?AMK?)	40,500 [11.9]	28,800 [8.4]	11,700 [3.4]	11.50	13.50	77	1,200 [566]
	RCFL-H*4821 (RGLE-07?BRQ?)	41,000 [12.0]	29,350 [8.6]	11,650 [3.4]	11.50	14.00	77	1,225 [578]
	RCFL-H*4821 (RGLE-10?BRM?)	41,000 [12.0]	29,200 [8.6]	11,800 [3.5]	11.50	14.00	77	1,200 [566]
	RCFL-H*4821 (RGLR-07?AMK?)	40,500 [11.9]	28,800 [8.4]	11,700 [3.4]	11.45	13.50	77	1,200 [566]
	RCFL-H*4821 (RGLR-07?BRQ?)	41,000 [12.0]	29,350 [8.6]	11,650 [3.4]	11.85	14.00	77	1,225 [578]
	RCFL-H*4821 (RGLR-10?BRM?)	41,500 [12.2]	30,900 [9.1]	10,600 [3.1]	11.75	13.50	77	1,375 [649]
	RCFL-H*4821 (RGLT-07?AME?)	41,000 [12.0]	30,200 [8.8]	10,800 [3.2]	11.50	13.00	77	1,350 [637]
	RCFL-H*4821 (RGLT-07?BRQ?)	41,000 [12.0]	29,500 [8.6]	11,500 [3.4]	11.50	14.00	77	1,250 [590]
	RCFL-H*4821 (RGLT-10?BRM?)	41,000 [12.0]	29,500 [8.6]	11,500 [3.4]	11.50	14.00	77	1,250 [590]
	RCFL-H*4821 (RGPE-05?BMK?)	40,500 [11.9]	28,850 [8.5]	11,650 [3.4]	11.00	13.00	77	1,200 [566]
	RCFL-H*4821 (RGPE-07?AMK?)	40,500 [11.9]	28,950 [8.5]	11,550 [3.4]	11.00	13.50	77	1,225 [578]
	RCFL-H*4821 (RGPE-07?BRQ?)	41,000 [12.0]	29,350 [8.6]	11,650 [3.4]	11.50	14.00	77	1,225 [578]
	RCFL-H*4821 (RGPE-10?BRM?)	41,000 [12.0]	29,350 [8.6]	11,650 [3.4]	11.50	14.00	77	1,225 [578]
	RCFL-H*4821 (RGPR-05?BMK?)	40,500 [11.9]	28,900 [8.5]	11,600 [3.4]	11.05	13.00	77	1,200 [566]
	RCFL-H*4821 (RGPR-07?AMK?)	40,500 [11.9]	28,800 [8.4]	11,700 [3.4]	11.40	13.50	77	1,200 [566]
	RCFL-H*4821 (RGPR-07?BRQ?)	41,500 [12.2]	30,900 [9.1]	10,600 [3.1]	11.70	13.50	77	1,400 [661]
	RCFL-H*4821 (RGPR-10?BRM?)	41,500 [12.2]	30,950 [9.1]	10,550 [3.1]	11.45	13.50	77	1,425 [672]
	RCFL-H*4821 (RGPT-05?BMK?)	40,500 [11.9]	29,000 [8.5]	11,500 [3.4]	11.00	13.00	77	1,225 [578]
	RCFL-H*4821 (RGPT-07?AME?)	41,000 [12.0]	30,200 [8.8]	10,800 [3.2]	11.00	13.00	77	1,350 [637]
	RCFL-H*4821 (RGPT-07?BRQ?)	41,000 [12.0]	29,500 [8.6]	11,500 [3.4]	11.50	14.00	77	1,250 [590]
	RCFL-H*4821 (RGPT-10?BRM?)	41,000 [12.0]	29,350 [8.6]	11,650 [3.4]	11.50	14.00	77	1,225 [578]
	RCFL-H*4821 (RGRM-09?ZAJ?)	40,500 [11.9]	28,950 [8.5]	11,550 [3.4]	11.40	13.50	77	1,225 [578]
	RCFL-H*4821 (RGTM-07?RBG?)	41,000 [12.0]	29,950 [8.8]	11,050 [3.2]	11.50	13.50	77	1,325 [625]
	RCFL-H*4821 (RGTM-09?ZAJ?)	41,000 [12.0]	29,550 [8.7]	11,450 [3.4]	11.50	13.50	77	1,250 [590]
	ROCA-070E03 (RCFL-H*4821)	40,500 [11.9]	28,800 [8.4]	11,700 [3.4]	11.50	13.50	77	1,200 [566]
	ROCA-070E04 (RCFL-H*4821)	40,500 [11.9]	28,800 [8.4]	11,700 [3.4]	11.50	13.50	77	1,200 [566]
	ROLA-070E03 (RCFL-H*4821)	40,500 [11.9]	28,600 [8.4]	11,900 [3.5]	11.50	13.50	77	1,175 [554]
	ROLA-070E04 (RCFL-H*4821)	41,500 [12.2]	30,900 [9.1]	10,600 [3.1]	11.50	13.50	77	1,375 [649]
	ROLA-115E05 (RCFL-H*4821)	41,000 [12.0]	29,200 [8.6]	11,800 [3.5]	11.50	14.00	77	1,200 [566]
RCFL-H*4824	41,000 [12.0]	30,550 [9.0]	10,450 [3.1]	11.05	13.00	77	1,400 [661]	
RCFL-H*4824 (RGFD-09?ZCM?)	41,000 [12.0]	30,050 [8.8]	10,950 [3.2]	11.35	13.00	77	1,325 [625]	
RCFL-H*4824 (RGFD-10?ZCM?)	41,000 [12.0]	30,050 [8.8]	10,950 [3.2]	11.20	13.00	77	1,325 [625]	
RCFL-H*4824 (RGFD-12?RCM?)	41,500 [12.2]	31,400 [9.2]	10,100 [3.0]	11.35	13.00	77	1,475 [696]	
RCFL-H*4824 (RGFE-09?ZCM?)	40,500 [11.9]	28,800 [8.4]	11,700 [3.4]	11.55	13.50	77	1,200 [566]	
RCFL-H*4824 (RGFE-10?ZCM?)	40,500 [11.9]	28,950 [8.5]	11,550 [3.4]	11.50	13.50	77	1,225 [578]	
RCFL-H*4824 (RGFE-12?RCM?)	41,000 [12.0]	29,400 [8.6]	11,600 [3.4]	11.75	13.50	77	1,225 [578]	
RCFL-H*4824 (RGGD-09?ZCM?)	41,500 [12.2]	30,950 [9.1]	10,550 [3.1]	11.30	13.00	77	1,425 [672]	
RCFL-H*4824 (RGGD-10?ZCM?)	41,500 [12.2]	30,950 [9.1]	10,550 [3.1]	11.35	13.00	77	1,425 [672]	
RCFL-H*4824 (RGGD-12?RCM?)	41,000 [12.0]	29,350 [8.6]	11,650 [3.4]	11.80	14.00	77	1,225 [578]	
RCFL-H*4824 (RGGE-09?ZCM?)	41,000 [12.0]	29,400 [8.6]	11,600 [3.4]	11.70	13.50	77	1,225 [578]	

① Highest sales volume tested combination required by D.O.E. test procedures.

[] Designates Metric Conversions

Performance Data @ AHRI Standard Conditions—Cooling (con't.)

Model Numbers		80°F [26.5°C] DB/67°F [19.5°C] WB Indoor Air 95°F [35°C] DB Outdoor Air					Sound Rating dB	Indoor CFM [L/s]
Outdoor Unit 13AJM	Indoor Coil and/or Air Handler	Total Capacity BTU/H [kW]	Net Sensible BTU/H [kW]	Net Latent BTU/H [kW]	EER	SEER		
Rev. 6/30/10	RCFL-H*4824 (RGGE-10?ZCM?)	40,500 [11.9]	28,800 [8.4]	11,700 [3.4]	11.55	13.50	77	1,200 [566]
	RCFL-H*4824 (RGGE-12?RCM?)	41,000 [12.0]	29,200 [8.6]	11,800 [3.5]	11.85	14.00	77	1,200 [566]
	RCFL-H*4824 (RGJD-09?ZCM?)	41,500 [12.2]	30,950 [9.1]	10,550 [3.1]	11.35	13.00	77	1,425 [672]
	RCFL-H*4824 (RGJD-10?ZCM?)	41,500 [12.2]	30,950 [9.1]	10,550 [3.1]	11.35	13.00	77	1,425 [672]
	RCFL-H*4824 (RGJD-12?RCM?)	41,000 [12.0]	29,350 [8.6]	11,650 [3.4]	11.85	14.00	77	1,225 [578]
	RCFL-H*4824 (RGJF-09?ZCM?)	41,000 [12.0]	29,400 [8.6]	11,600 [3.4]	11.70	13.50	77	1,225 [578]
	RCFL-H*4824 (RGJF-10?ZCM?)	40,500 [11.9]	28,750 [8.4]	11,750 [3.4]	11.60	13.50	77	1,200 [566]
	RCFL-H*4824 (RGJF-12?RCM?)	41,000 [12.0]	29,200 [8.6]	11,800 [3.5]	11.85	14.00	77	1,200 [566]
	RCFL-H*4824 (RGLE-07?BRQ?)	41,000 [12.0]	29,350 [8.6]	11,650 [3.4]	11.50	14.00	77	1,225 [578]
	RCFL-H*4824 (RGLE-10?BRM?)	41,000 [12.0]	29,200 [8.6]	11,800 [3.5]	11.50	14.00	77	1,200 [566]
	RCFL-H*4824 (RGLE-12?ARM?)	41,000 [12.0]	29,350 [8.6]	11,650 [3.4]	11.50	14.00	77	1,225 [578]
	RCFL-H*4824 (RGLR-07?BRQ?)	41,000 [12.0]	29,350 [8.6]	11,650 [3.4]	11.85	14.00	77	1,225 [578]
	RCFL-H*4824 (RGLR-10?BRM?)	41,500 [12.2]	30,900 [9.1]	10,600 [3.1]	11.75	13.50	77	1,375 [649]
	RCFL-H*4824 (RGLR-12?ARM?)	41,000 [12.0]	29,350 [8.6]	11,650 [3.4]	11.90	14.00	77	1,225 [578]
	RCFL-H*4824 (RGLT-07?BRQ?)	41,000 [12.0]	29,500 [8.6]	11,500 [3.4]	11.50	14.00	77	1,250 [590]
	RCFL-H*4824 (RGLT-10?BRM?)	41,000 [12.0]	29,500 [8.6]	11,500 [3.4]	11.50	14.00	77	1,250 [590]
	RCFL-H*4824 (RGLT-12?ARM?)	42,000 [12.3]	31,350 [9.2]	10,650 [3.1]	11.50	14.00	77	1,375 [649]
	RCFL-H*4824 (RGPE-07?BRQ?)	41,000 [12.0]	29,350 [8.6]	11,650 [3.4]	11.50	14.00	77	1,225 [578]
	RCFL-H*4824 (RGPE-10?BRM?)	41,000 [12.0]	29,350 [8.6]	11,650 [3.4]	11.50	14.00	77	1,225 [578]
	RCFL-H*4824 (RGPE-12?ARM?)	41,000 [12.0]	29,200 [8.6]	11,800 [3.5]	11.50	14.00	77	1,200 [566]
42	RCFL-H*4824 (RGPR-07?BRQ?)	41,500 [12.2]	30,900 [9.1]	10,600 [3.1]	11.65	13.50	77	1,400 [661]
	RCFL-H*4824 (RGPR-10?BRM?)	41,500 [12.2]	30,950 [9.1]	10,550 [3.1]	11.45	13.50	77	1,425 [672]
	RCFL-H*4824 (RGPR-12?ARM?)	41,500 [12.2]	30,900 [9.1]	10,600 [3.1]	11.70	13.50	77	1,400 [661]
	RCFL-H*4824 (RGPT-07?BRQ?)	41,000 [12.0]	29,350 [8.6]	11,650 [3.4]	11.50	14.00	77	1,225 [578]
	RCFL-H*4824 (RGPT-10?BRM?)	41,000 [12.0]	29,350 [8.6]	11,650 [3.4]	11.50	14.00	77	1,225 [578]
	RCFL-H*4824 (RGPT-12?ARM?)	42,000 [12.3]	31,350 [9.2]	10,650 [3.1]	11.50	14.00	77	1,375 [649]
	RCFL-H*4824 (RGRM-09?ZAJ?)	40,500 [11.9]	28,950 [8.5]	11,550 [3.4]	11.40	13.00	77	1,225 [578]
	RCFL-H*4824 (RGTM-07?RBG?)	41,000 [12.0]	29,950 [8.8]	11,050 [3.2]	11.50	13.50	77	1,325 [625]
	RCFL-H*4824 (RGTM-09?ZAJ?)	41,000 [12.0]	29,550 [8.7]	11,450 [3.4]	11.50	13.50	77	1,250 [590]
	RCFL-H*4824 (RGTM-10?RBJ?)	41,000 [12.0]	29,350 [8.6]	11,650 [3.4]	11.50	14.00	77	1,225 [578]
	ROCA-070E03 (RCFL-H*4824)	40,500 [11.9]	28,800 [8.4]	11,700 [3.4]	11.50	13.50	77	1,200 [566]
	ROCA-070E04 (RCFL-H*4824)	40,500 [11.9]	28,800 [8.4]	11,700 [3.4]	11.50	13.50	77	1,200 [566]
	ROLA-070E03 (RCFL-H*4824)	40,500 [11.9]	28,600 [8.4]	11,900 [3.5]	11.50	13.50	77	1,175 [554]
	ROLA-070E04 (RCFL-H*4824)	41,500 [12.2]	30,900 [9.1]	10,600 [3.1]	11.50	13.50	77	1,375 [649]
	ROLA-115E05 (RCFL-H*4824)	41,000 [12.0]	29,250 [8.6]	11,750 [3.4]	11.50	14.00	77	1,200 [566]
	RBHP-24 (RCHL-48A1)	40,000 [11.7]	28,750 [8.4]	11,250 [3.3]	11.60	14.00	77	1,400 [661]
	RCQD-4821 (RGPT-05?BMK?)	41,500 [12.2]	32,100 [9.4]	9,400 [2.8]	11.00	13.00	77	1,225 [578]
	RCQD-4821 (RGPT-07?AME?)	41,500 [12.2]	32,050 [9.4]	9,450 [2.8]	11.50	13.50	77	1,225 [578]
	RCQD-4821 (RGPT-07?BRQ?)	42,000 [12.3]	32,500 [9.5]	9,500 [2.8]	11.50	14.00	77	1,225 [578]
	RCQD-4821 (RGPT-10?BRM?)	42,000 [12.3]	32,450 [9.5]	9,550 [2.8]	11.50	14.00	77	1,225 [578]
	ROCA-070E03 (RCQD-4821)	41,500 [12.2]	31,900 [9.3]	9,600 [2.8]	11.50	13.50	77	1,200 [566]
	ROCA-070E04 (RCQD-4821)	41,500 [12.2]	31,900 [9.3]	9,600 [2.8]	11.50	13.50	77	1,200 [566]
	ROLA-070E04 (RCQD-4821)	42,500 [12.5]	34,100 [10.0]	8,400 [2.5]	11.50	13.50	77	1,375 [649]
	ROLA-115E05 (RCQD-4821)	42,000 [12.3]	32,350 [9.5]	9,650 [2.8]	11.50	14.00	77	1,200 [566]
	RCQD-4824 (RGPT-07?BRQ?)	42,000 [12.3]	33,050 [9.7]	8,950 [2.6]	11.50	14.00	77	1,275 [602]
	RCQD-4824 (RGPT-10?BRM?)	42,000 [12.3]	33,050 [9.7]	8,950 [2.6]	11.50	14.00	77	1,275 [602]
	RCQD-4824 (RGPT-12?ARM?)	42,000 [12.3]	32,750 [9.6]	9,250 [2.7]	12.00	14.50	77	1,225 [578]
	ROCA-070E03 (RCQD-4824)	41,500 [12.2]	32,200 [9.4]	9,300 [2.7]	11.50	13.50	77	1,200 [566]
	ROCA-070E04 (RCQD-4824)	41,500 [12.2]	32,200 [9.4]	9,300 [2.7]	11.50	13.50	77	1,200 [566]
	ROLA-070E03 (RCQD-4824)	41,500 [12.2]	32,000 [9.4]	9,500 [2.8]	11.50	14.00	77	1,175 [554]
ROLA-070E04 (RCQD-4824)	42,500 [12.5]	34,400 [10.1]	8,100 [2.4]	11.50	13.50	77	1,375 [649]	
ROLA-115E05 (RCQD-4824)	41,500 [12.2]	32,150 [9.4]	9,350 [2.7]	11.50	14.00	77	1,200 [566]	
RHKL-HM4821 (RCSL-H*4821)	42,000 [12.3]	31,350 [9.2]	10,650 [3.1]	11.90	14.00	77	1,400 [661]	

① Highest sales volume tested combination required by D.O.E. test procedures.

[] Designates Metric Conversions

Performance Data @ AHRI Standard Conditions—Cooling (con't.)

Model Numbers		80°F [26.5°C] DB/67°F [19.5°C] WB Indoor Air 95°F [35°C] DB Outdoor Air					Sound Rating dB	Indoor CFM [L/s]
Outdoor Unit 13AJM	Indoor Coil and/or Air Handler	Total Capacity BTU/H [kW]	Net Sensible BTU/H [kW]	Net Latent BTU/H [kW]	EER	SEER		
Rev. 6/30/10 42	RHLL-HM4821 (RCSL-H*4821)	42,000 [12.3]	31,350 [9.2]	10,650 [3.1]	11.95	14.00	77	1,400 [661]
	RHSL-HM4221 (RCSL-H*4821)	41,000 [12.0]	30,250 [8.9]	10,750 [3.1]	11.00	13.00	77	1,350 [637]
48	RCFL-H*4821 ①	46,500 [13.6]	34,050 [10.0]	12,450 [3.6]	11.20	13.25	77	1,500 [708]
	RCFL-A*4821	46,500 [13.6]	34,050 [10.0]	12,450 [3.6]	11.20	13.25	77	1,500 [708]
	RCFL-A*4821 (RGFD-09?ZCM?)	46,000 [13.5]	32,400 [9.5]	13,600 [4.0]	11.35	13.00	77	1,325 [625]
	RCFL-A*4821 (RGFD-10?ZCM?)	45,500 [13.3]	31,950 [9.4]	13,550 [4.0]	11.25	13.00	77	1,325 [625]
	RCFL-A*4821 (RGGD-09?ZCM?)	46,000 [13.5]	33,050 [9.7]	12,950 [3.8]	11.35	13.00	77	1,425 [672]
	RCFL-A*4821 (RGGD-10?ZCM?)	46,000 [13.5]	33,050 [9.7]	12,950 [3.8]	11.40	13.00	77	1,425 [672]
	RCFL-A*4821 (RGGE-09?ZCM?)	46,000 [13.5]	32,850 [9.6]	13,150 [3.9]	11.40	13.00	77	1,400 [661]
	RCFL-A*4821 (RGGE-10?ZCM?)	46,000 [13.5]	32,850 [9.6]	13,150 [3.9]	11.30	13.00	77	1,400 [661]
	RCFL-A*4821 (RGLE-07?BRQ?)	46,500 [13.6]	33,350 [9.8]	13,150 [3.9]	11.50	13.50	77	1,400 [661]
	RCFL-A*4821 (RGLE-10?BRM?)	47,000 [13.8]	35,100 [10.3]	11,900 [3.5]	11.50	13.50	77	1,600 [755]
	RCFL-A*4821 (RGLR-07?BRQ?)	46,500 [13.6]	33,500 [9.8]	13,000 [3.8]	11.65	13.50	77	1,425 [672]
	RCFL-A*4821 (RGLR-10?BRM?)	46,500 [13.6]	33,150 [9.7]	13,350 [3.9]	11.70	13.50	77	1,375 [649]
	RCFL-A*4821 (RGLT-07?AME?)	45,500 [13.3]	31,950 [9.4]	13,550 [4.0]	11.00	13.00	77	1,325 [625]
	RCFL-A*4821 (RGLT-07?BRQ?)	46,500 [13.6]	33,500 [9.8]	13,000 [3.8]	11.50	13.50	77	1,425 [672]
	RCFL-A*4821 (RGLT-10?BRM?)	46,500 [13.6]	33,300 [9.8]	13,200 [3.9]	11.50	13.50	77	1,400 [661]
	RCFL-A*4821 (RGPE-07?BRQ?)	46,500 [13.6]	33,250 [9.7]	13,250 [3.9]	11.50	13.50	77	1,400 [661]
	RCFL-A*4821 (RGPE-10?BRM?)	47,000 [13.8]	34,750 [10.2]	12,250 [3.6]	11.50	13.50	77	1,550 [731]
	RCFL-A*4821 (RGPR-07?BRQ?)	46,500 [13.6]	33,300 [9.8]	13,200 [3.9]	11.70	13.50	77	1,400 [661]
	RCFL-A*4821 (RGPR-10?BRM?)	46,500 [13.6]	33,500 [9.8]	13,000 [3.8]	11.50	13.50	77	1,425 [672]
	RCFL-A*4821 (RGPT-07?BRQ?)	46,500 [13.6]	33,450 [9.8]	13,050 [3.8]	11.50	13.50	77	1,425 [672]
	RCFL-A*4821 (RGPT-10?BRM?)	46,500 [13.6]	33,450 [9.8]	13,050 [3.8]	11.50	13.50	77	1,425 [672]
	RCFL-A*4821 (RGRM-09?ZAJ?)	46,000 [13.5]	32,950 [9.7]	13,050 [3.8]	11.15	13.00	77	1,400 [661]
	RCFL-A*4821 (RGRM-10?ZAJ?)	46,000 [13.5]	33,150 [9.7]	12,850 [3.8]	11.10	13.00	77	1,425 [672]
	RCFL-A*4821 (RGTM-07?RBG?)	46,500 [13.6]	34,000 [10.0]	12,500 [3.7]	11.00	13.00	77	1,475 [696]
	RCFL-A*4821 (RGTM-09?ZAJ?)	46,000 [13.5]	32,900 [9.6]	13,100 [3.8]	11.00	13.00	77	1,400 [661]
	ROLA-070E04 (RCFL-A*4821)	46,000 [13.5]	32,700 [9.6]	13,300 [3.9]	11.50	13.50	77	1,375 [649]
	ROLA-115E05 (RCFL-A*4821)	46,000 [13.5]	32,850 [9.6]	13,150 [3.9]	11.50	13.50	77	1,400 [661]
	RCFL-A*4824	46,500 [13.6]	34,050 [10.0]	12,450 [3.6]	11.20	13.25	77	1,500 [708]
	RCFL-A*4824 (RGFD-09?ZCM?)	45,500 [13.3]	31,900 [9.3]	13,600 [4.0]	11.35	13.00	77	1,325 [625]
	RCFL-A*4824 (RGFD-10?ZCM?)	45,500 [13.3]	31,950 [9.4]	13,550 [4.0]	11.25	13.00	77	1,325 [625]
	RCFL-A*4824 (RGFD-12?RCM?)	47,000 [13.8]	35,550 [10.4]	11,450 [3.4]	11.30	13.00	77	1,650 [779]
	RCFL-A*4824 (RGFE-12?RCM?)	46,500 [13.6]	33,650 [9.9]	12,850 [3.8]	11.45	13.00	77	1,450 [684]
	RCFL-A*4824 (RGGD-09?ZCM?)	46,000 [13.5]	33,050 [9.7]	12,950 [3.8]	11.35	13.00	77	1,425 [672]
	RCFL-A*4824 (RGGD-10?ZCM?)	46,000 [13.5]	33,050 [9.7]	12,950 [3.8]	11.40	13.00	77	1,425 [672]
	RCFL-A*4824 (RGGD-12?RCM?)	46,500 [13.6]	33,650 [9.9]	12,850 [3.8]	11.60	13.50	77	1,450 [684]
	RCFL-A*4824 (RGGE-09?ZCM?)	46,000 [13.5]	32,850 [9.6]	13,150 [3.9]	11.40	13.00	77	1,400 [661]
	RCFL-A*4824 (RGGE-10?ZCM?)	46,000 [13.5]	32,850 [9.6]	13,150 [3.9]	11.30	13.00	77	1,400 [661]
	RCFL-A*4824 (RGGE-12?RCM?)	46,000 [13.5]	32,600 [9.6]	13,400 [3.9]	11.65	13.50	77	1,375 [649]
	RCFL-A*4824 (RGLE-10?BRM?)	47,000 [13.8]	35,100 [10.3]	11,900 [3.5]	11.50	13.50	77	1,600 [755]
	RCFL-A*4824 (RGLE-12?ARM?)	47,000 [13.8]	34,400 [10.1]	12,600 [3.7]	11.50	13.50	77	1,525 [720]
	RCFL-A*4824 (RGLR-07?BRQ?)	46,500 [13.6]	33,500 [9.8]	13,000 [3.8]	11.65	13.50	77	1,425 [672]
	RCFL-A*4824 (RGLR-10?BRM?)	46,500 [13.6]	33,150 [9.7]	13,350 [3.9]	11.70	13.50	77	1,375 [649]
	RCFL-A*4824 (RGLR-12?ARM?)	46,500 [13.6]	33,450 [9.8]	13,050 [3.8]	11.70	13.50	77	1,425 [672]
	RCFL-A*4824 (RGLT-07?BRQ?)	46,500 [13.6]	33,500 [9.8]	13,000 [3.8]	11.50	13.50	77	1,425 [672]
	RCFL-A*4824 (RGLT-10?BRM?)	46,500 [13.6]	33,300 [9.8]	13,200 [3.9]	11.50	13.50	77	1,400 [661]
	RCFL-A*4824 (RGLT-12?ARM?)	46,500 [13.6]	32,950 [9.7]	13,550 [4.0]	11.50	13.50	77	1,350 [637]
	RCFL-A*4824 (RGPE-07?BRQ?)	46,500 [13.6]	33,300 [9.8]	13,200 [3.9]	11.50	13.50	77	1,400 [661]
	RCFL-A*4824 (RGPE-10?BRM?)	47,000 [13.8]	34,800 [10.2]	12,200 [3.6]	11.50	13.50	77	1,550 [731]
RCFL-A*4824 (RGPE-12?ARM?)	47,500 [13.9]	35,800 [10.5]	11,700 [3.4]	11.50	13.50	77	1,625 [767]	
RCFL-A*4824 (RGPR-07?BRQ?)	46,500 [13.6]	33,300 [9.8]	13,200 [3.9]	11.70	13.50	77	1,400 [661]	
RCFL-A*4824 (RGPR-10?BRM?)	46,500 [13.6]	33,500 [9.8]	13,000 [3.8]	11.50	13.50	77	1,425 [672]	

① Highest sales volume tested combination required by D.O.E. test procedures.

[] Designates Metric Conversions

Performance Data @ AHRI Standard Conditions—Cooling (con't.)

Model Numbers		80°F [26.5°C] DB/67°F [19.5°C] WB Indoor Air 95°F [35°C] DB Outdoor Air					Sound Rating dB	Indoor CFM [L/s]
Outdoor Unit 13AJM	Indoor Coil and/or Air Handler	Total Capacity BTU/H [kW]	Net Sensible BTU/H [kW]	Net Latent BTU/H [kW]	EER	SEER		
Rev. 6/30/10	RCFL-A*4824 (RGPR-12?ARM?)	46,500 [13.6]	33,300 [9.8]	13,200 [3.9]	11.70	13.50	77	1,400 [661]
	RCFL-A*4824 (RGPT-07?BRQ?)	46,500 [13.6]	33,450 [9.8]	13,050 [3.8]	11.50	13.50	77	1,425 [672]
	RCFL-A*4824 (RGPT-10?BRM?)	46,500 [13.6]	33,300 [9.8]	13,200 [3.9]	11.50	13.50	77	1,400 [661]
	RCFL-A*4824 (RGPT-12?ARM?)	46,500 [13.6]	32,950 [9.7]	13,550 [4.0]	11.50	14.00	77	1,350 [637]
	RCFL-A*4824 (RGRM-09?ZAJ?)	46,000 [13.5]	32,950 [9.7]	13,050 [3.8]	11.15	13.00	77	1,400 [661]
	RCFL-A*4824 (RGRM-10?ZAJ?)	46,000 [13.5]	33,150 [9.7]	12,850 [3.8]	11.10	13.00	77	1,425 [672]
	RCFL-A*4824 (RGRM-12?RAJ?)	46,000 [13.5]	33,050 [9.7]	12,950 [3.8]	11.40	13.00	77	1,425 [672]
	RCFL-A*4824 (RGTM-07?RBG?)	46,500 [13.6]	34,000 [10.0]	12,500 [3.7]	11.00	13.00	77	1,475 [696]
	RCFL-A*4824 (RGTM-09?ZAJ?)	46,000 [13.5]	32,900 [9.6]	13,100 [3.8]	11.00	13.00	77	1,400 [661]
	RCFL-A*4824 (RGTM-10?RBJ?)	46,500 [13.6]	33,500 [9.8]	13,000 [3.8]	11.50	13.50	77	1,425 [672]
48	ROLA-070E04 (RCFL-A*4824)	46,000 [13.5]	32,700 [9.6]	13,300 [3.9]	11.50	13.50	77	1,375 [649]
	ROLA-115E05 (RCFL-A*4824)	46,000 [13.5]	32,850 [9.6]	13,150 [3.9]	11.50	13.50	77	1,400 [661]
	RCFL-H*4821 (RGFD-09?ZCM?)	46,000 [13.5]	32,400 [9.5]	13,600 [4.0]	11.35	13.00	77	1,325 [625]
	RCFL-H*4821 (RGFD-10?ZCM?)	45,500 [13.3]	31,950 [9.4]	13,550 [4.0]	11.25	13.00	77	1,325 [625]
	RCFL-H*4821 (RGGD-09?ZCM?)	46,000 [13.5]	33,050 [9.7]	12,950 [3.8]	11.35	13.00	77	1,425 [672]
	RCFL-H*4821 (RGGD-10?ZCM?)	46,000 [13.5]	33,050 [9.7]	12,950 [3.8]	11.40	13.00	77	1,425 [672]
	RCFL-H*4821 (RGGE-09?ZCM?)	46,000 [13.5]	32,850 [9.6]	13,150 [3.9]	11.40	13.00	77	1,400 [661]
	RCFL-H*4821 (RGGE-10?ZCM?)	46,000 [13.5]	32,850 [9.6]	13,150 [3.9]	11.30	13.00	77	1,400 [661]
	RCFL-H*4821 (RGJD-09?ZCM?)	46,000 [13.5]	33,050 [9.7]	12,950 [3.8]	11.40	13.00	77	1,425 [672]
	RCFL-H*4821 (RGJD-10?ZCM?)	46,500 [13.6]	33,550 [9.8]	12,950 [3.8]	11.45	13.00	77	1,425 [672]
	RCFL-H*4821 (RGJF-09?ZCM?)	46,000 [13.5]	32,850 [9.6]	13,150 [3.9]	11.40	13.00	77	1,400 [661]
	RCFL-H*4821 (RGJF-10?ZCM?)	46,000 [13.5]	32,850 [9.6]	13,150 [3.9]	11.30	13.00	77	1,400 [661]
	RCFL-H*4821 (RGLE-07?BRQ?)	46,500 [13.6]	33,350 [9.8]	13,150 [3.9]	11.50	13.50	77	1,400 [661]
	RCFL-H*4821 (RGLE-10?BRM?)	47,000 [13.8]	35,100 [10.3]	11,900 [3.5]	11.50	13.50	77	1,600 [755]
	RCFL-H*4821 (RGLR-07?BRQ?)	46,500 [13.6]	33,500 [9.8]	13,000 [3.8]	11.65	13.50	77	1,425 [672]
	RCFL-H*4821 (RGLR-10?BRM?)	46,500 [13.6]	33,150 [9.7]	13,350 [3.9]	11.70	13.50	77	1,375 [649]
	RCFL-H*4821 (RGLT-07?AME?)	45,500 [13.3]	31,950 [9.4]	13,550 [4.0]	11.00	13.00	77	1,325 [625]
	RCFL-H*4821 (RGLT-07?BRQ?)	46,500 [13.6]	33,500 [9.8]	13,000 [3.8]	11.50	13.50	77	1,425 [672]
	RCFL-H*4821 (RGLT-10?BRM?)	46,500 [13.6]	33,300 [9.8]	13,200 [3.9]	11.50	13.50	77	1,400 [661]
	RCFL-H*4821 (RGPE-07?BRQ?)	46,500 [13.6]	33,250 [9.7]	13,250 [3.9]	11.50	13.50	77	1,400 [661]
	RCFL-H*4821 (RGPE-10?BRM?)	47,000 [13.8]	34,750 [10.2]	12,250 [3.6]	11.50	13.50	77	1,550 [731]
	RCFL-H*4821 (RGPR-07?BRQ?)	46,500 [13.6]	33,300 [9.8]	13,200 [3.9]	11.70	13.50	77	1,400 [661]
	RCFL-H*4821 (RGPR-10?BRM?)	46,500 [13.6]	33,500 [9.8]	13,000 [3.8]	11.50	13.50	77	1,425 [672]
	RCFL-H*4821 (RGPT-07?BRQ?)	46,500 [13.6]	33,450 [9.8]	13,050 [3.8]	11.50	13.50	77	1,425 [672]
	RCFL-H*4821 (RGPT-10?BRM?)	46,500 [13.6]	33,450 [9.8]	13,050 [3.8]	11.50	13.50	77	1,425 [672]
	RCFL-H*4821 (RGRM-09?ZAJ?)	46,000 [13.5]	32,950 [9.7]	13,050 [3.8]	11.15	13.00	77	1,400 [661]
	RCFL-H*4821 (RGRM-10?ZAJ?)	46,000 [13.5]	33,150 [9.7]	12,850 [3.8]	11.10	13.00	77	1,425 [672]
	RCFL-H*4821 (RGTM-07?RBG?)	46,500 [13.6]	34,000 [10.0]	12,500 [3.7]	11.00	13.00	77	1,475 [696]
	RCFL-H*4821 (RGTM-09?ZAJ?)	46,000 [13.5]	32,900 [9.6]	13,100 [3.8]	11.00	13.00	77	1,400 [661]
	ROLA-070E04 (RCFL-H*4821)	46,000 [13.5]	32,700 [9.6]	13,300 [3.9]	11.50	13.50	77	1,375 [649]
	ROLA-115E05 (RCFL-H*4821)	46,000 [13.5]	32,850 [9.6]	13,150 [3.9]	11.50	13.50	77	1,400 [661]
	RCFL-H*4824	46,500 [13.6]	34,050 [10.0]	12,450 [3.6]	11.20	13.25	77	1,500 [708]
	RCFL-H*4824 (RGFD-09?ZCM?)	45,500 [13.3]	31,900 [9.3]	13,600 [4.0]	11.35	13.00	77	1,325 [625]
	RCFL-H*4824 (RGFD-10?ZCM?)	45,500 [13.3]	31,950 [9.4]	13,550 [4.0]	11.25	13.00	77	1,325 [625]
	RCFL-H*4824 (RGFD-12?RCM?)	47,000 [13.8]	35,550 [10.4]	11,450 [3.4]	11.30	13.00	77	1,650 [779]
	RCFL-H*4824 (RGFE-12?RCM?)	46,500 [13.6]	33,650 [9.9]	12,850 [3.8]	11.45	13.00	77	1,450 [684]
	RCFL-H*4824 (RGGD-09?ZCM?)	46,000 [13.5]	33,050 [9.7]	12,950 [3.8]	11.35	13.00	77	1,425 [672]
	RCFL-H*4824 (RGGD-10?ZCM?)	46,000 [13.5]	33,050 [9.7]	12,950 [3.8]	11.40	13.00	77	1,425 [672]
	RCFL-H*4824 (RGGD-12?RCM?)	46,500 [13.6]	33,650 [9.9]	12,850 [3.8]	11.60	13.50	77	1,450 [684]
	RCFL-H*4824 (RGGE-09?ZCM?)	46,000 [13.5]	32,850 [9.6]	13,150 [3.9]	11.40	13.00	77	1,400 [661]
RCFL-H*4824 (RGGE-10?ZCM?)	46,000 [13.5]	32,850 [9.6]	13,150 [3.9]	11.30	13.00	77	1,400 [661]	
RCFL-H*4824 (RGGE-12?RCM?)	46,000 [13.5]	32,600 [9.6]	13,400 [3.9]	11.65	13.50	77	1,375 [649]	
RCFL-H*4824 (RGJD-09?ZCM?)	46,000 [13.5]	33,050 [9.7]	12,950 [3.8]	11.40	13.00	77	1,425 [672]	

④ Highest sales volume tested combination required by D.O.E. test procedures.

[] Designates Metric Conversions

Performance Data @ AHRI Standard Conditions—Cooling (con't.)

Model Numbers		80°F [26.5°C] DB/67°F [19.5°C] WB Indoor Air 95°F [35°C] DB Outdoor Air					Sound Rating dB	Indoor CFM [L/s]
Outdoor Unit 13AJM	Indoor Coil and/or Air Handler	Total Capacity BTU/H [kW]	Net Sensible BTU/H [kW]	Net Latent BTU/H [kW]	EER	SEER		
Rev. 6/30/10	RCFL-H*4824 (RGJD-10?ZCM?)	46,500 [13.6]	33,550 [9.8]	12,950 [3.8]	11.45	13.00	77	1,425 [672]
	RCFL-H*4824 (RGJD-12?RCM?)	46,500 [13.6]	33,650 [9.9]	12,850 [3.8]	11.65	13.50	77	1,450 [684]
	RCFL-H*4824 (RGJF-09?ZCM?)	46,000 [13.5]	32,850 [9.6]	13,150 [3.9]	11.40	13.00	77	1,400 [661]
	RCFL-H*4824 (RGJF-10?ZCM?)	46,000 [13.5]	32,850 [9.6]	13,150 [3.9]	11.30	13.00	77	1,400 [661]
	RCFL-H*4824 (RGJF-12?RCM?)	46,000 [13.5]	32,600 [9.6]	13,400 [3.9]	11.65	13.50	77	1,375 [649]
	RCFL-H*4824 (RGLE-07?BRQ?)	46,500 [13.6]	33,350 [9.8]	13,150 [3.9]	11.50	13.50	77	1,400 [661]
	RCFL-H*4824 (RGLE-10?BRM?)	47,000 [13.8]	35,100 [10.3]	11,900 [3.5]	11.50	13.50	77	1,600 [755]
	RCFL-H*4824 (RGLE-12?ARM?)	47,000 [13.8]	34,400 [10.1]	12,600 [3.7]	11.50	13.50	77	1,525 [720]
	RCFL-H*4824 (RGLR-07?BRQ?)	46,500 [13.6]	33,500 [9.8]	13,000 [3.8]	11.65	13.50	77	1,425 [672]
	RCFL-H*4824 (RGLR-10?BRM?)	46,500 [13.6]	33,150 [9.7]	13,350 [3.9]	11.70	13.50	77	1,375 [649]
	RCFL-H*4824 (RGLR-12?ARM?)	46,500 [13.6]	33,450 [9.8]	13,050 [3.8]	11.70	13.50	77	1,425 [672]
	RCFL-H*4824 (RGLT-07?BRQ?)	46,500 [13.6]	33,500 [9.8]	13,000 [3.8]	11.50	13.50	77	1,425 [672]
	RCFL-H*4824 (RGLT-10?BRM?)	46,500 [13.6]	33,300 [9.8]	13,200 [3.9]	11.50	13.50	77	1,400 [661]
	RCFL-H*4824 (RGLT-12?ARM?)	46,500 [13.6]	32,950 [9.7]	13,550 [4.0]	11.50	13.50	77	1,350 [637]
	RCFL-H*4824 (RGPE-07?BRQ?)	46,500 [13.6]	33,300 [9.8]	13,200 [3.9]	11.50	13.50	77	1,400 [661]
	RCFL-H*4824 (RGPE-10?BRM?)	47,000 [13.8]	34,800 [10.2]	12,200 [3.6]	11.50	13.50	77	1,550 [731]
	RCFL-H*4824 (RGPE-12?ARM?)	47,500 [13.9]	35,800 [10.5]	11,700 [3.4]	11.50	13.50	77	1,625 [767]
	RCFL-H*4824 (RGPR-07?BRQ?)	46,500 [13.6]	33,300 [9.8]	13,200 [3.9]	11.70	13.50	77	1,400 [661]
	RCFL-H*4824 (RGPR-10?BRM?)	46,500 [13.6]	33,500 [9.8]	13,000 [3.8]	11.50	13.50	77	1,425 [672]
	RCFL-H*4824 (RGPR-12?ARM?)	46,500 [13.6]	33,300 [9.8]	13,200 [3.9]	11.70	13.50	77	1,400 [661]
	RCFL-H*4824 (RGPT-07?BRQ?)	46,500 [13.6]	33,450 [9.8]	13,050 [3.8]	11.50	13.50	77	1,425 [672]
	RCFL-H*4824 (RGPT-10?BRM?)	46,500 [13.6]	33,300 [9.8]	13,200 [3.9]	11.50	13.50	77	1,400 [661]
	RCFL-H*4824 (RGPT-12?ARM?)	46,500 [13.6]	32,950 [9.7]	13,550 [4.0]	11.50	14.00	77	1,350 [637]
	RCFL-H*4824 (RGRM-09?ZAJ?)	46,000 [13.5]	32,950 [9.7]	13,050 [3.8]	11.15	13.00	77	1,400 [661]
	RCFL-H*4824 (RGRM-10?ZAJ?)	46,000 [13.5]	33,150 [9.7]	12,850 [3.8]	11.10	13.00	77	1,425 [672]
	RCFL-H*4824 (RGRM-12?RAJ?)	46,000 [13.5]	33,050 [9.7]	12,950 [3.8]	11.40	13.00	77	1,425 [672]
	RCFL-H*4824 (RGTM-07?RBG?)	46,500 [13.6]	34,000 [10.0]	12,500 [3.7]	11.00	13.00	77	1,475 [696]
	RCFL-H*4824 (RGTM-09?ZAJ?)	46,000 [13.5]	32,900 [9.6]	13,100 [3.8]	11.00	13.00	77	1,400 [661]
	RCFL-H*4824 (RGTM-10?RBJ?)	46,500 [13.6]	33,500 [9.8]	13,000 [3.8]	11.50	13.50	77	1,425 [672]
	ROLA-070E04 (RCFL-H*4824)	46,000 [13.5]	32,700 [9.6]	13,300 [3.9]	11.50	13.50	77	1,375 [649]
	ROLA-115E05 (RCFL-H*4824)	46,000 [13.5]	32,850 [9.6]	13,150 [3.9]	11.50	13.50	77	1,400 [661]
	RBHP-24 (RCHL-48A1)	46,000 [13.5]	33,050 [9.7]	12,950 [3.8]	11.55	13.50	77	1,600 [755]
RCQD-4821 (RGPT-07?BRQ?)	48,000 [14.1]	37,250 [10.9]	10,750 [3.1]	11.50	13.50	77	1,425 [672]	
RCQD-4821 (RGPT-10?BRM?)	48,000 [14.1]	37,250 [10.9]	10,750 [3.1]	11.50	13.50	77	1,425 [672]	
ROLA-070E04 (RCQD-4821)	47,500 [13.9]	36,450 [10.7]	11,050 [3.2]	11.50	13.50	77	1,375 [649]	
RCQD-4824 (RGPT-07?BRQ?)	48,500 [14.2]	38,450 [11.3]	10,050 [2.9]	11.50	14.00	77	1,475 [696]	
RCQD-4824 (RGPT-10?BRM?)	48,000 [14.1]	37,650 [11.0]	10,350 [3.0]	11.50	14.00	77	1,450 [684]	
RCQD-4824 (RGPT-12?ARM?)	48,000 [14.1]	37,250 [10.9]	10,750 [3.1]	11.50	14.00	77	1,400 [661]	
ROLA-070E04 (RCQD-4824)	47,500 [13.9]	36,650 [10.7]	10,850 [3.2]	11.50	13.50	77	1,375 [649]	
ROLA-115E05 (RCQD-4824)	48,000 [14.1]	38,050 [11.1]	9,950 [2.9]	11.50	13.50	77	1,500 [708]	
RHKL-HM4821 (RCSL-H*4821)	46,500 [13.6]	33,250 [9.7]	13,250 [3.9]	11.85	14.00	77	1,400 [661]	
RHLL-HM4821 (RCSL-H*4821)	46,500 [13.6]	33,250 [9.7]	13,250 [3.9]	11.95	14.00	77	1,400 [661]	
RHSL-HM4221 (RCSL-H*4821)	45,500 [13.3]	31,850 [9.3]	13,650 [4.0]	11.10	13.00	77	1,300 [613]	
RHSL-HM4821 (RCSL-H*4821)	46,500 [13.6]	34,100 [10.0]	12,400 [3.6]	11.20	13.00	77	1,525 [720]	
RHSL-HM4824 (RCSL-H*4821)	46,500 [13.6]	34,100 [10.0]	12,400 [3.6]	11.20	13.00	77	1,500 [708]	
RHKL-HM4824 (RCSL-H*4824)	48,000 [14.1]	36,200 [10.6]	11,800 [3.5]	12.05	14.00	77	1,625 [767]	
RHLL-HM4824 (RCSL-H*4824)	48,000 [14.1]	36,200 [10.6]	11,800 [3.5]	12.10	14.00	77	1,625 [767]	
60	RCFL-H*6024 ①	56,500 [16.6]	39,100 [11.5]	17,400 [5.1]	11.10	13.00	77	1,550 [731]
	RCFL-A*6024	56,500 [16.6]	39,100 [11.5]	17,400 [5.1]	11.10	13.00	77	1,550 [731]
	RCFL-A*6024 (RGFD-12?RCM?)	57,500 [16.8]	40,750 [11.9]	16,750 [4.9]	11.10	13.00	77	1,650 [779]
	RCFL-A*6024 (RGGD-12?RCM?)	57,500 [16.8]	40,800 [12.0]	16,700 [4.9]	11.10	13.00	77	1,650 [779]
	RCFL-A*6024 (RGLR-07?BRQ?)	57,500 [16.8]	40,550 [11.9]	16,950 [5.0]	11.10	13.00	77	1,625 [767]
	RCFL-A*6024 (RGLR-10?BRM?)	57,000 [16.7]	39,450 [11.6]	17,550 [5.1]	11.10	13.00	77	1,575 [743]

① Highest sales volume tested combination required by D.O.E. test procedures.

[] Designates Metric Conversions

Performance Data @ AHRI Standard Conditions—Cooling (con't.)

Model Numbers		80°F [26.5°C] DB/67°F [19.5°C] WB Indoor Air 95°F [35°C] DB Outdoor Air					Sound Rating dB	Indoor CFM [L/s]
Outdoor Unit 13AJM	Indoor Coil and/or Air Handler	Total Capacity BTU/H [kW]	Net Sensible BTU/H [kW]	Net Latent BTU/H [kW]	EER	SEER		
Rev. 6/30/10	RCFL-A*6024 (RGLR-12?ARM?)	57,500 [16.8]	40,300 [11.8]	17,200 [5.0]	11.10	13.00	77	1,600 [755]
	RCFL-A*6024 (RGLT-12?ARM?)	58,000 [17.0]	41,650 [12.2]	16,350 [4.8]	11.00	13.00	77	1,700 [802]
	RCFL-A*6024 (RGPR-07?BRQ?)	57,500 [16.8]	40,550 [11.9]	16,950 [5.0]	11.10	13.00	77	1,625 [767]
	RCFL-A*6024 (RGPR-10?BRM?)	57,000 [16.7]	40,100 [11.7]	16,900 [5.0]	11.10	13.00	77	1,625 [767]
	RCFL-A*6024 (RGPR-12?ARM?)	57,000 [16.7]	39,450 [11.6]	17,550 [5.1]	11.10	13.00	77	1,575 [743]
	RCFL-A*6024 (RGPT-10?BRM?)	57,500 [16.8]	41,150 [12.1]	16,350 [4.8]	11.00	13.00	77	1,700 [802]
	RCFL-A*6024 (RGPT-12?ARM?)	58,000 [17.0]	41,650 [12.2]	16,350 [4.8]	11.00	13.00	77	1,700 [802]
	RCFL-H*6024 (RGFD-12?RCM?)	57,500 [16.8]	40,750 [11.9]	16,750 [4.9]	11.10	13.00	77	1,650 [779]
60	RCFL-H*6024 (RGGD-12?RCM?)	57,500 [16.8]	40,800 [12.0]	16,700 [4.9]	11.10	13.00	77	1,650 [779]
	RCFL-H*6024 (RGJD-12?RCM?)	57,500 [16.8]	40,800 [12.0]	16,700 [4.9]	11.10	13.00	77	1,650 [779]
	RCFL-H*6024 (RGLR-07?BRQ?)	57,500 [16.8]	40,550 [11.9]	16,950 [5.0]	11.10	13.00	77	1,625 [767]
	RCFL-H*6024 (RGLR-10?BRM?)	57,000 [16.7]	39,450 [11.6]	17,550 [5.1]	11.10	13.00	77	1,575 [743]
	RCFL-H*6024 (RGLR-12?ARM?)	57,500 [16.8]	40,300 [11.8]	17,200 [5.0]	11.10	13.00	77	1,600 [755]
	RCFL-H*6024 (RGLT-12?ARM?)	58,000 [17.0]	41,650 [12.2]	16,350 [4.8]	11.00	13.00	77	1,700 [802]
	RCFL-H*6024 (RGPR-07?BRQ?)	57,500 [16.8]	40,550 [11.9]	16,950 [5.0]	11.10	13.00	77	1,625 [767]
	RCFL-H*6024 (RGPR-10?BRM?)	57,000 [16.7]	40,100 [11.7]	16,900 [5.0]	11.10	13.00	77	1,625 [767]
	RCFL-H*6024 (RGPR-12?ARM?)	57,000 [16.7]	39,450 [11.6]	17,550 [5.1]	11.10	13.00	77	1,575 [743]
	RCFL-H*6024 (RGPT-10?BRM?)	57,500 [16.8]	41,150 [12.1]	16,350 [4.8]	11.00	13.00	77	1,700 [802]
	RCFL-H*6024 (RGPT-12?ARM?)	58,000 [17.0]	41,650 [12.2]	16,350 [4.8]	11.00	13.00	77	1,700 [802]
	RBHP-25 (RCHL-60A1)	54,500 [16.0]	36,650 [10.7]	17,850 [5.2]	11.15	13.00	77	1,800 [849]
	RHKL-HM6024 (RCSL-H*6024)	58,000 [17.0]	40,000 [11.7]	18,000 [5.3]	11.80	13.50	77	1,800 [849]
	RHLL-HM6024 (RCSL-H*6024)	58,000 [17.0]	40,050 [11.7]	17,950 [5.3]	11.85	13.50	77	1,800 [849]

① Highest sales volume tested combination required by D.O.E. test procedures.

[] Designates Metric Conversions

Electrical and Physical Data

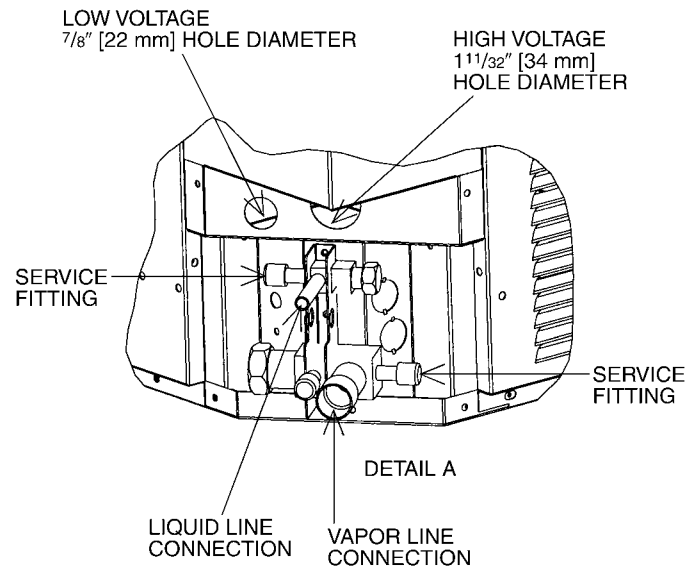
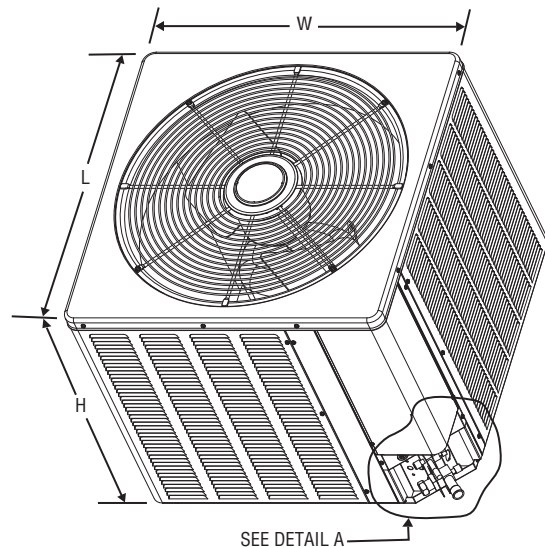
Model Number 13AJM	ELECTRICAL							PHYSICAL					
	Phase Frequency (Hz) Voltage (Volts)	Compressor		Fan Motor Full Load Amperes (FLA)	Minimum Circuit Ampacity Amperes	Fuse or HACR Circuit Breaker		Outdoor Coil			Refrigerant Per Circuit Oz. [g]	Weight	
		Rated Load Amperes (RLA)	Locked Rotor Amperes (LRA)			Minimum Amperes	Maximum Amperes	Face Area Sq. Ft. [m ²]	No. Rows	CFM [L/s]		Net Lbs. [kg]	Shipping Lbs. [kg]
Rev. 6/30/2010													
18	1-60-208/230	9/9	48	0.6	12/12	15/15	20/20	8.43 [0.78]	1	1675 [790]	75.2 [2132]	120 [54.4]	128 [58.1]
24	1-60-208/230	13.5/13.5	58.3	0.6	18/18	25/25	30/30	8.43 [0.78]	1	1665 [786]	73.8 [2092]	121 [54.9]	129 [58.5]
30	1-60-208/230	12.8/12.8	73	0.6	17/17	20/20	25/25	10.29 [0.96]	1	2075 [979]	86.08 [2440]	139 [63.1]	147 [66.7]
36	1-60-208/230	16.7/16.7	79	0.8	22/22	30/30	35/35	12.43 [1.15]	1	2690 [1269]	96 [2722]	159 [72.1]	167 [75.8]
42	1-60-208/230	17.9/17.9	112	0.8	24/24	30/30	40/40	16.39 [1.52]	1	2980 [1406]	126.4 [3583]	188 [85.3]	192 [87.1]
48	1-60-208/230	21.8/21.8	117	0.8	29/29	35/35	45/45	21.85 [2.03]	1	3175 [1498]	144 [4082]	207 [93.9]	218 [98.9]
60	1-60-208/230	26.4/26.4	134	1.2	35/35	45/45	60/60	21.85 [2.03]	1	3570 [1685]	176 [4990]	223 [101.2]	234 [106.1]

NOTE: Factory Refrigerant Charge includes refrigerant for 15 feet of standard line set.

Unit Dimensions

Model No. 13AJM	Unit Dimensions		
	Width "W" Inches	Length "L" Inches	Height "H" Inches
18, 24	23 ⁵ / ₈ [600]	23 ⁵ / ₈ [600]	24 ¹ / ₄ [616]
30	27 ⁵ / ₈ [702]	27 ⁵ / ₈ [702]	24 ¹ / ₄ [616]
36, 42	31 ⁵ / ₈ [803]	31 ⁵ / ₈ [803]	27 ¹⁵ / ₁₆ [710]
48, 60	31 ⁵ / ₈ [803]	31 ⁵ / ₈ [803]	35 ¹⁵ / ₁₆ [913]

[] Designates Metric Conversions



Condensing Unit Refrigerant Line Size Information

Liquid Line Sizing (R-410A)

System Capacity	Liquid Line Connection Size (Inch I.D.)	Line Size (Inch O.D.) [mm]	Liquid Line Size – Outdoor Unit Above Indoor Coil (Cooling Only—Does not apply to Heat Pumps)						Liquid Line Size – Outdoor Unit Below Indoor Coil					
			Total Equivalent Length—Feet [m]						Total Equivalent Length—Feet [m]					
			25 [7.62]	50 [15.24]	75 [22.86]	100 [30.48]	125 [38.10]	150 [45.72]	25 [7.62]	50 [15.24]	75 [22.86]	100 [30.48]	125 [38.10]	150 [45.72]
			Minimum Vertical Separation—Feet [m]						Maximum Vertical Separation—Feet [m]					
1 1/2 Ton	3/8" [9.53]	1/4 [6.35]	0	0	0	0	8 [2.44]	24 [7.32]	25 [7.62]	40 [12.19]	25 [7.62]	9 [2.74]	N/A	N/A
		5/16 [7.94]	0	0	0	0	0	0	25 [7.62]	50 [15.24]	62 [18.90]	58 [17.68]	53 [16.15]	49 [14.94]
		3/8* [9.53]	0	0	0	0	0	0	25 [7.62]	50 [15.24]	75 [22.86]	72 [21.95]	70 [21.34]	68 [20.73]
2 Ton	3/8" [9.53]	1/4 [6.35]	0	3 [0.91]	29 [8.84]	55 [16.76]	81 [24.69]	108 [32.92]	23 [7.01]	N/A	N/A	N/A	N/A	N/A
		5/16 [7.94]	0	0	0	0	0	0	25 [7.62]	36 [10.97]	29 [8.84]	23 [7.01]	16 [4.88]	9 [2.74]
		3/8* [9.53]	0	0	0	0	0	0	25 [7.62]	50 [15.24]	72 [21.95]	70 [21.34]	68 [20.73]	65 [19.81]
2 1/2 Ton	3/8" [9.53]	1/4 [6.35]	0	14 [4.27]	56 [17.07]	98 [29.87]	N/A	N/A	25 [7.62]	N/A	N/A	N/A	N/A	N/A
		5/16 [7.94]	0	0	0	0	0	0	25 [7.62]	49 [14.94]	38 [11.58]	27 [8.23]	17 [5.18]	6 [1.83]
		3/8* [9.53]	0	0	0	0	0	0	25 [7.62]	50 [15.24]	68 [20.73]	65 [19.81]	62 [18.90]	58 [17.68]
3 Ton	3/8" [9.53]	5/16 [7.94]	0	0	0	0	9 [2.74]	25 [7.62]	50 [15.24]	37 [11.28]	22 [6.71]	7 [2.13]	N/A	
		3/8* [9.53]	0	0	0	0	0	0	25 [7.62]	50 [15.24]	68 [20.73]	63 [19.20]	58 [17.68]	53 [16.15]
3 1/2 Ton	3/8" [9.53]	5/16 [7.94]	0	0	0	16 [4.88]	35 [10.67]	54 [16.46]	25 [7.62]	23 [7.01]	4 [1.22]	N/A	N/A	N/A
		3/8* [9.53]	0	0	0	0	0	0	25 [7.62]	50 [15.24]	43 [13.11]	36 [10.97]	30 [9.14]	24 [7.32]
4 Ton	3/8" [9.53]	3/8* [9.53]	0	0	0	0	0	0	25 [7.62]	46 [14.02]	38 [11.58]	30 [9.14]	22 [6.71]	15 [4.57]
		1/2 [12.57]	0	0	0	0	0	0	25 [7.62]	50 [15.24]	56 [17.07]	55 [16.76]	53 [16.15]	52 [15.85]
5 Ton	3/8" [9.53]	3/8* [9.53]	0	0	0	0	0	0	25 [7.62]	50 [15.24]	56 [17.07]	44 [13.41]	32 [9.75]	20 [6.10]
		1/2 [12.57]	0	0	0	0	0	0	25 [7.62]	50 [15.24]	75 [22.86]	81 [24.69]	79 [24.08]	76 [23.16]

NOTES: *Standard line size
N/A = Application not recommended.

Suction Line Length/Size versus Capacity Multiplier (R-410A)

Unit Size	1 1/2 Ton	2 Ton	2 1/2 Ton	3 Ton	3 1/2 Ton	4 Ton	5 Ton
Suction Line Connection Size	3/4" [19.05] I.D.				7/8" [22.23] I.D.		
Suction Line Run—Feet [m]	5/8" [15.88 mm] O.D. Opt. 3/4" [19.05 mm] O.D. Std.*		5/8" [15.88 mm] O.D. Opt. 3/4" [19.05 mm] O.D. Std.* 7/8" [22.23 mm] O.D. Opt.		3/4" [19.05 mm] O.D. Opt. 7/8" [22.23 mm] O.D. Std.*		7/8" [22.23 mm] O.D. Opt. 1 1/8" [28.58 mm] O.D. Std.*
25' [7.62]	Optional Standard Optional	1.00 1.00 —	1.00 1.00 —	1.00 1.00 1.00	1.00 1.00 —	1.00 1.00 —	1.00 1.00 —
50' [15.24]	Optional Standard Optional	0.98 0.99 —	0.98 0.99 —	0.96 0.98 0.99	0.98 0.99 —	0.99 0.99 —	0.99 0.99 —
100' [30.48]	Optional Standard Optional	0.95 0.96 —	0.95 0.96 —	0.94 0.96 0.97	0.96 0.97 —	0.96 0.98 —	0.97 0.98 —
150' [45.72]	Optional Standard Optional	0.92 0.93 —	0.92 0.94 —	0.91 0.93 0.95	0.94 0.95 —	0.94 0.96 —	0.94 0.97 —

NOTES: *Standard line size
Using suction line larger than shown in chart will result in poor oil return and is not recommended.

[] Designates Metric Conversions

BEFORE PURCHASING THIS APPLIANCE, READ IMPORTANT ENERGY COST AND EFFICIENCY INFORMATION AVAILABLE FROM YOUR RETAILER.

GENERAL TERMS OF LIMITED WARRANTY

Rheem will furnish a replacement for any part of this product which fails in normal use and service within the applicable period stated, in accordance with the terms of the limited warranty.

Conditional Compressor*
(Registration Required).....Ten (10) Years
Any Other PartFive (5) Years
Conditional Parts* (Registration Required)Ten (10) Years

*For Complete Details of the Limited Warranty, Including Applicable Terms and Conditions, See Your Local Installer or visit www.Rheem.com.

NOTES

Before proceeding with installation, refer to installation instructions packaged with each model, as well as complying with all Federal, State, Provincial, and Local codes, regulations, and practices.

**Rheem Heating,
Cooling and
Water Heating**

P.O. Box 17010, Fort Smith, AR 72917



"In keeping with its policy of continuous progress and product improvement, Rheem reserves the right to make changes without notice."