



The new degree of comfort.™

# SUBMITTAL COVER SHEET

PROJECT NAME \_\_\_\_\_

LOCATION \_\_\_\_\_

ARCHITECT \_\_\_\_\_

ENGINEER \_\_\_\_\_

CONTRACTOR \_\_\_\_\_

SUBMITTED BY \_\_\_\_\_ DATE \_\_\_\_\_

## UNIT SUMMARY

Quantity						
Unit Designation						
Model No.						
Total Cooling						
Sensible Cooling						
Air Ent. Evaporator						
Air Lvg. Evaporator						
Heating Input						
Heating Output						
CFM/ESP						
EER/SEER						
Electrical						
Minimum Ampacity						
Min.-Max. Breaker						
Net Unit Weight						
Accessory						
Catalog Form Number						

**ACCESSORIES:**

**NOTES:**



INTEGRATED HOME COMFORT

# SUBMITTAL SHEET FOR 13PJL SERIES 1 1/2 TO 5 NOMINAL TON [5.28 TO 17.58 kW], UP TO 14.5 SEER HEAT PUMP UNITS

JOB NAME \_\_\_\_\_ LOCATION \_\_\_\_\_  
 CONTRACTOR \_\_\_\_\_ ORDER NO. \_\_\_\_\_  
 ENGINEER \_\_\_\_\_ UNIT MODEL NO. \_\_\_\_\_  
 SUBMITTED FOR       APPROVAL       RECORD      COIL MODEL NO. \_\_\_\_\_  
 DATE \_\_\_\_\_ AIR HANDLER MODEL NO. \_\_\_\_\_

### UNIT DATA

#### COOLING PERFORMANCE

EFFICIENCY ..... SEER  
 TOTAL CAPACITY\* ..... MBH [kW]  
 SENSIBLE CAPACITY\* ..... MBH [kW]  
 OUTDOOR DESIGN TEMP ..... °F [°C] DB  
 TEMP. OF AIR ENTERING  
 EVAPORATOR COIL ..... °F [°C] DB  
 ..... °F [°C] WB  
 POWER INPUT REQUIREMENT ..... kW  
 (\*uses blower motor heat)

#### HEATING PERFORMANCE

EFFICIENCY ..... HSPF  
 TOTAL CAPACITY\* ..... MBH [kW]  
 OUTDOOR DESIGN TEMP ..... °F [°C] DB  
 TEMP. OF AIR ENTERING  
 EVAPORATOR COIL ..... °F [°C] DB

#### SUPPLY AIR BLOWER PERFORMANCE

TOTAL AIR SUPPLY ..... CFM [L/s]  
 TOTAL RESISTANCE EXTERNAL  
 TO UNIT ..... IWG  
 BLOWER SPEED ..... RPM  
 POWER OUTPUT REQUIREMENT ..... BHP  
 MOTOR RATING ..... HP [W]  
 POWER INPUT REQUIREMENT ..... kW

#### ELECTRICAL DATA

POWER SUPPLY ..... Hz  
 TOTAL UNIT AMPACITY ..... AMPS  
 MINIMUM WIRE SIZE ..... AWG  
 MAXIMUM OVERCURRENT DEVICE  
 FUSES/HACR BREAKER ..... AMPS

#### CLEARANCES

ACCESS SIDE                      24" [609.6 mm]  
 AIR INLETS                        12" [304.8 mm]  
 ABOVE UNIT                       60" [1524 mm]

### FEATURES FOR 13PJL SERIES HEAT PUMP UNITS 1 1/2 TO 5 NOMINAL TON [5.28 TO 17.58 kW]

- Outdoor heat pump designed for ground level or rooftop installations. These units offer comfort and dependability for single, multi-family and light commercial applications.
- Painted louvered steel cabinet
- Easily accessible control box
- Condenser coils constructed with copper tubing and enhanced aluminum fins.
- Grille/Motor mount for quiet fan operation
- Filter Drier (shipped – not installed)

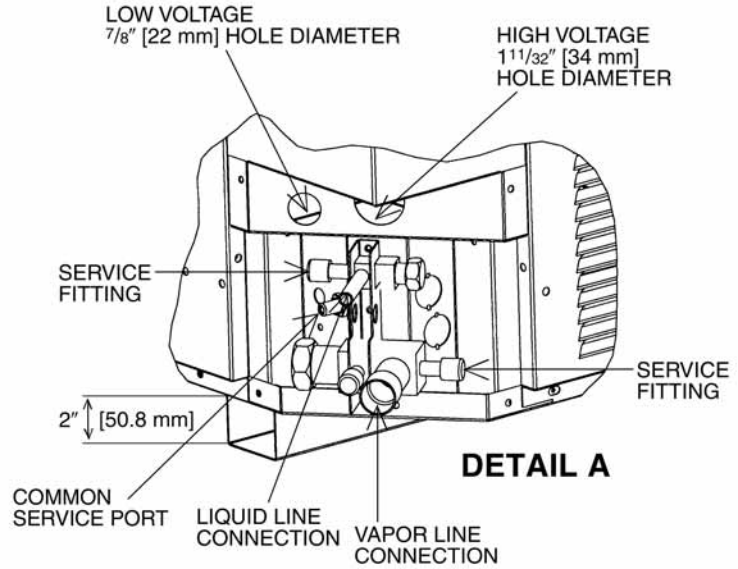
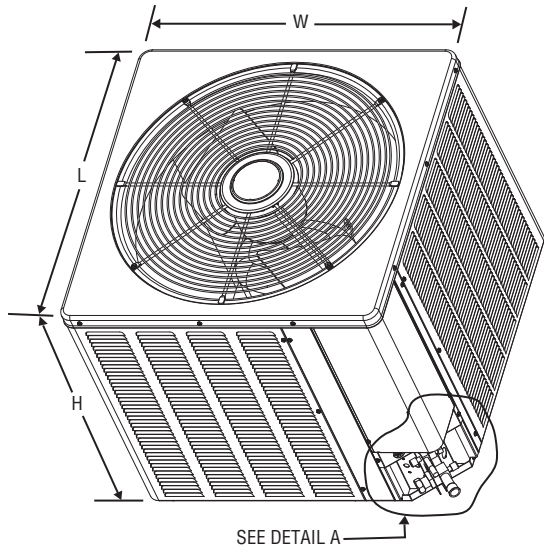
### ACCESSORIES/OPTIONS

- Outdoor Thermostats (Model No. RXPT-A01, A02, A03, A04) ..   
 High Pressure Control (Model No. RXAB-A07) .....   
 Low Ambient Control (Model No. RXAD-A07) .....   
 Compressor Time Delay Control (Model No. RXMD-B01) .....   
 Blower Time Delay Control (Model No. RXMD-C04) .....   
 Sound Enclosure\* .....   
 Heat Pump Monitor (Model No. RXPM-B01) .....   
 Thermostats and Subbases\*  
 Start Components\*

\*Available through the Replacement Parts Division



**13PJL 18, 24, 30,  
36, 42, 48, 60**



Model Number 13P(-)L	Height "H" (Inches) [mm]	Length "L" (Inches) [mm]	Width "W" (Inches) [mm]
18, 24	26 <sup>1</sup> / <sub>4</sub> [666.75]	23 <sup>5</sup> / <sub>8</sub> [600.07]	23 <sup>5</sup> / <sub>8</sub> [600.07]
30	26 <sup>1</sup> / <sub>4</sub> [666.75]	27 <sup>5</sup> / <sub>8</sub> [701.67]	27 <sup>5</sup> / <sub>8</sub> [701.67]
36	27 <sup>3</sup> / <sub>8</sub> [695.32]	31 <sup>5</sup> / <sub>8</sub> [803.27]	31 <sup>5</sup> / <sub>8</sub> [803.27]
42, 48, 60	35 <sup>3</sup> / <sub>8</sub> [898.52]	31 <sup>5</sup> / <sub>8</sub> [803.27]	31 <sup>5</sup> / <sub>8</sub> [803.27]

[ ] Designates Metric Conversions

**NOTES:**

**Before proceeding with installation, refer to installation instructions packaged with each model, as well as complying with all Federal, State, Provincial, and Local codes, regulations, and practices.**

Rheem Sales Company, Inc.  
P.O. Box 17010, Fort Smith, AR 72917

*"In keeping with its policy of continuous progress and product improvement, Rheem reserves the right to make changes without notice."*