



The new degree of comfort.™

# SUBMITTAL COVER SHEET

PROJECT NAME \_\_\_\_\_

LOCATION \_\_\_\_\_

ARCHITECT \_\_\_\_\_

ENGINEER \_\_\_\_\_

CONTRACTOR \_\_\_\_\_

SUBMITTED BY \_\_\_\_\_ DATE \_\_\_\_\_

## UNIT SUMMARY

Quantity						
Unit Designation						
Model No.						
Total Cooling						
Sensible Cooling						
Air Ent. Evaporator						
Air Lvg. Evaporator						
Heating Input						
Heating Output						
CFM/ESP						
EER/SEER						
Electrical						
Minimum Ampacity						
Min.-Max. Breaker						
Net Unit Weight						
Accessory						
Catalog Form Number						

**ACCESSORIES:**

**NOTES:**



# SUBMITTAL SHEET FOR 14PJM SERIES 1 1/2 TO 5 NOMINAL TON [5.28 TO 17.58 kW], 14.5 SEER HEAT PUMP UNITS

JOB NAME \_\_\_\_\_ LOCATION \_\_\_\_\_  
 CONTRACTOR \_\_\_\_\_ ORDER NO. \_\_\_\_\_  
 ENGINEER \_\_\_\_\_ UNIT MODEL NO. \_\_\_\_\_  
 SUBMITTED FOR       APPROVAL       RECORD      COIL MODEL NO. \_\_\_\_\_  
 DATE \_\_\_\_\_ AIR HANDLER MODEL NO. \_\_\_\_\_

### UNIT DATA

#### COOLING PERFORMANCE

EFFICIENCY ..... SEER  
 TOTAL CAPACITY\* ..... MBH [kW]  
 SENSIBLE CAPACITY\* ..... MBH [kW]  
 OUTDOOR DESIGN TEMP ..... °F [°C] DB  
 TEMP. OF AIR ENTERING  
 EVAPORATOR COIL ..... °F [°C] DB  
 ..... °F [°C] WB  
 POWER INPUT REQUIREMENT ..... kW  
 (\*uses blower motor heat)

#### HEATING PERFORMANCE

EFFICIENCY ..... HSPF  
 TOTAL CAPACITY\* ..... MBH [kW]  
 OUTDOOR DESIGN TEMP ..... °F [°C] DB  
 TEMP. OF AIR ENTERING  
 EVAPORATOR COIL ..... °F [°C] DB

#### SUPPLY AIR BLOWER PERFORMANCE

TOTAL AIR SUPPLY ..... CFM [L/s]  
 TOTAL RESISTANCE EXTERNAL  
 TO UNIT ..... IWG  
 BLOWER SPEED ..... RPM  
 POWER OUTPUT REQUIREMENT ..... BHP  
 MOTOR RATING ..... HP [W]  
 POWER INPUT REQUIREMENT ..... kW

#### ELECTRICAL DATA

POWER SUPPLY ..... Hz  
 TOTAL UNIT AMPACITY ..... AMPS  
 MINIMUM WIRE SIZE ..... AWG  
 MAXIMUM OVERCURRENT DEVICE  
 FUSES/HACR BREAKER ..... AMPS

#### CLEARANCES

ACCESS SIDE                      24" [609.6 mm]  
 AIR INLETS                        12" [304.8 mm]  
 ABOVE UNIT                       60" [1524 mm]

### FEATURES FOR 14PJM SERIES HEAT PUMP UNITS 1 1/2 TO 5 NOMINAL TON [5.28 TO 17.58 kW]

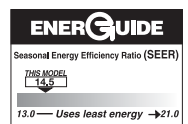
- Rheem *Value Series* remote heat pumps offer comfort and dependability for single, multi-family and light commercial applications.
- Painted louvered steel cabinet
- Easily accessible control box
- Condenser coils constructed with copper tubing and enhanced aluminum fins
- Grille/Motor mount for quiet fan operation
- Filter Drier (shipped – not installed)

### ACCESSORIES/OPTIONS

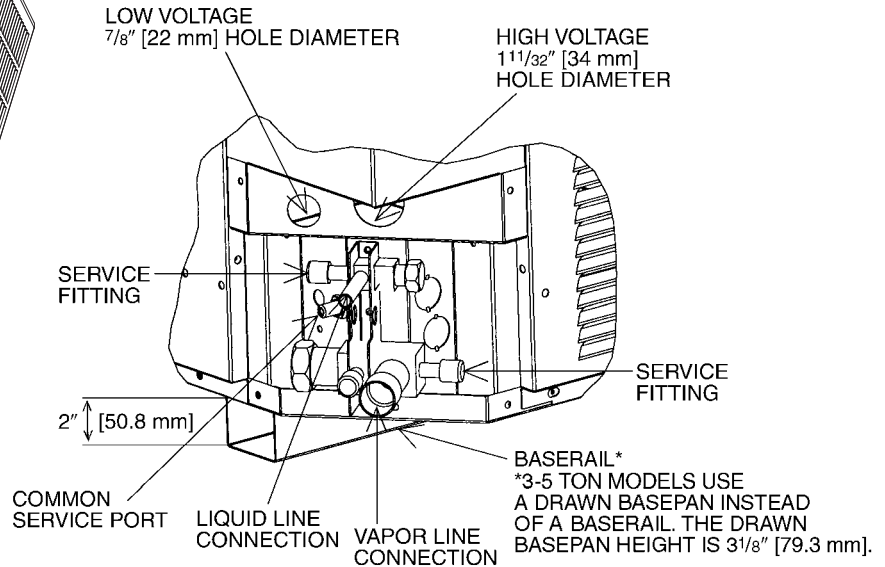
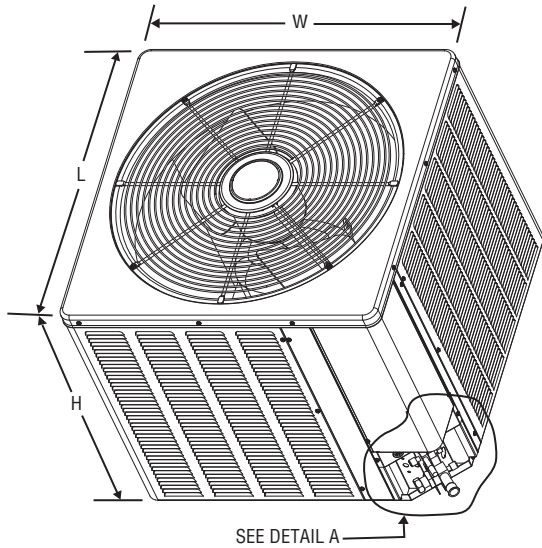
- Outdoor Thermostats .....   
 High Pressure Control (Model No. RXAB-A07) .....   
 Low Ambient Control (Model No. RXAD-A08) .....   
 Compressor Time Delay Control (Model No. RXMD-B01) .....   
 Sound Enclosure\* .....



(IN CERTAIN  
MATCHED SYSTEMS)



14PJM 18, 24, 30,  
36, 42, 48, 60



**DETAIL A**

Model No. 14PJM	Unit Dimensions		
	Width "W" Inches [mm]	Length "L" Inches [mm]	Height "H"* Inches [mm]
18, 24	27 <sup>5</sup> / <sub>8</sub> [701.6]	27 <sup>5</sup> / <sub>8</sub> [701.6]	26 <sup>1</sup> / <sub>4</sub> [666.7]
30	31 <sup>5</sup> / <sub>8</sub> [803.2]	31 <sup>5</sup> / <sub>8</sub> [803.2]	27 <sup>3</sup> / <sub>8</sub> [695.3]
36, 42, 48, 60	31 <sup>5</sup> / <sub>8</sub> [803.2]	31 <sup>5</sup> / <sub>8</sub> [803.2]	35 <sup>3</sup> / <sub>8</sub> [899]

[ ] Designates Metric Conversions

**NOTES:**

Before proceeding with installation, refer to installation instructions packaged with each model, as well as complying with all Federal, State, Provincial, and Local codes, regulations, and practices.

Rheem Sales Company, Inc.  
P.O. Box 17010, Fort Smith, AR 72917

"In keeping with its policy of continuous progress and product improvement, Rheem reserves the right to make changes without notice."