

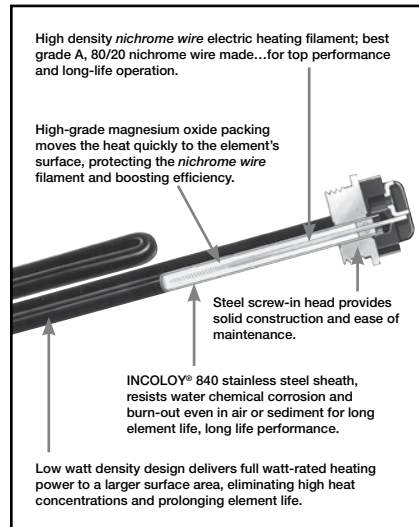


The new degree of comfort.™

# The Imperial electric water heater line – engineered for high performance and recovery, high efficiency and a long life

## Efficiency

- .92 - .95 EF
- Patented R-Foam® insulation
- Isolated tank design reduces conductive heat loss
- Lifeguard™ high efficiency stainless steel elements



## Plus...

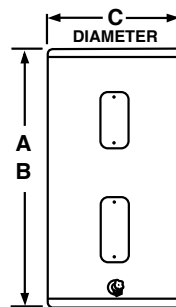
- EverKleen™ self-cleaning device
- Anode rod equalizes aggressive water action and prolongs the life of the water heater
- Electric junction box located above heating elements for easy installation
- Over-temperature protector cuts off power in excess temperature situations
- Automatic thermostat keeps water at desired temperature
- Brass drain valve
- Temperature and pressure relief valve included

## Warranty

- 10-Year limited tank and parts warranty\*

\*See Residential Warranty Certificate for complete information

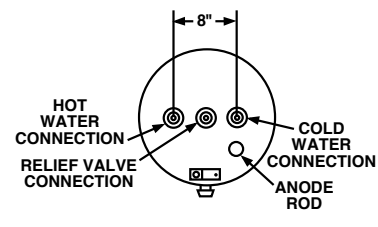
Units meet or exceed ANSI requirements and have been tested according to D.O.E. procedures. Units meet or exceed the energy efficiency requirements of NAECA, ASHRAE standard 90, ICC Code and all state energy efficiency performance criteria.



WATER CONNECTIONS ALL 3/4" N.P.T.



**Rheem Imperial**  
40 to 80-Gallon Capacities  
240 Volt AC/Single Phase  
Electric



## Performance

- FHR: 55 - 88 gallons, based on gallon capacity
- Recovery rate is 21 gallons at a 90 degree Fahrenheit rise\*\*

DESCRIPTION		FEATURES		ROUGHING IN DIMENSIONS (SHOWN IN INCHES)				ENERGY INFO.		
T Y P E	GAL. CAP.	MODEL NUMBER	FIRST HOUR RATING G.P.H.	RECOVERY IN G.P.H. @ 90° RISE	TANK HEIGHT A	HEIGHT TO WATER CONN. B	DIAMETER C	APPROX. SHIP WT. (LBS.)	ENERGY FACTOR	AVERAGE ANNUAL OPER. COST
T A L L	40	83XR40-2	55	21	46-3/4	46-3/4	22-1/4	104	0.95	\$492
	50	83XR52-2	67	21	57	57	22-1/4	123	0.95	\$492
	65	83XR66-2	71	21	58-3/4	58-3/4	23	160	0.92	\$508
	80	83XR80-2	88	21	59	59	24-1/2	181	0.92	\$508
MED.	50	83MXR52-2	63	21	46	46	24-1/4	128	0.93	\$503

- Heaters furnished with standard 240 volt AC, single phase non-simultaneous wiring, and 4500 watt upper and lower heating elements.
- **If heating elements of different wattages than those shown are demanded by zone requirements, they must be specifically requested.**
- Special Wiring Options – A limited number of special wiring options are available. Consult factory for price and availability.
- All models equipped with heat traps.

\*\*Recovery = wattage/2.42 x temp. rise °F.  
Example:  $\frac{4500W}{2.42 \times 90^\circ} = 21 \text{ GPH}$

Energy Factor and Average Annual Operating Costs based on D.O.E. (Department of Energy) test procedures. D.O.E. national average fuel rate electricity 10.65¢/KWH.

*In keeping with its policy of continuous progress and product improvement, Rheem reserves the right to make changes without notice.*

Rheem Water Heating • 101 Bell Road  
Montgomery, Alabama 36117-4305 • www.rheem.com



INTEGRATED HOME COMFORT