



The new degree of comfort.™



Residential Gas  
Professional *Classic Plus* Heavy Duty  
Power Direct Vent Water Heaters

## Professional *Classic Plus*™ Heavy Duty Power Direct Vent gas water heaters are a perfect choice for tight construction and indoor air quality

### Efficiency

- 0.62 EF

### Performance

- FHR: Up to 139 gallons for natural and LP gas
- Recovery: 65.7 to 75.8 at a 90 degree rise

### Self-Diagnostic System

- Electronic gas control for improved monitoring and service



### Low Emissions

- Eco-friendly burner, low NOx design

### Features

- Two pipe system: one pipe pulls in outside air for combustion and the other exhausts combustion gases
- 120 VAC powered blower
- New whisper quiet blower

### Flammable Vapor Detection System

- Protective control system that disables the heater in the presence of flammable vapor accumulation

### Flexible Venting Options

- Long venting lengths up to 100 feet
- PVC or CPVC certified to ULC-S636 vent pipe options
- Vertical or horizontal termination
- Concentric vent kit available

### Longer Life

- Premium grade anode rod provides long-lasting tank protection

### High Altitude Compliant

- Models are certified for applications up to 10,200 feet above sea level

### Plus...

- Enhanced flow brass drain valve
- Temperature and pressure relief valve included
- Low lead compliant
- Durable silicon nitride igniter (HSI)
- Side taps for space heating applications on 65 and 75-gallon models

- EverKleen™ patented system fights sediment build-up

- Standard replacement parts

### Warranty

- 8-Year limited tank and parts warranty\*
- With ProtectionPlus™ the 8-year limited tank warranty becomes 10-year ProtectionPlus™ – order part number SP20081 (6 pack only)

\*See Residential Warranty Certificate for complete information

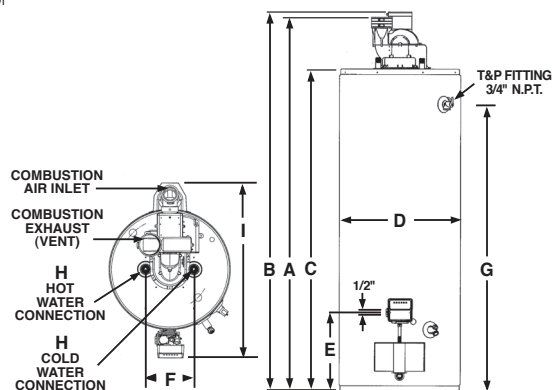


## Professional *Classic Plus*™ Heavy Duty Power Direct Vent

65 to 75-Gallon Capacities  
Up to 75,100 Btu/h  
Natural and LP Gas



LEED Point = 1



TYPE	GAL. CAP.	NATURAL GAS MODEL NUMBER	FEATURES				ROUGHING IN DIMENSIONS (SHOWN IN INCHES)										ENERGY INFO.				
			GAS INPUT IN THOUS. BTU/H		RECOVERY IN G.P.H. 90° RISE		FIRST HOUR DEL. G.P.H.		HT. TO TOP OF VENT A	HT. TO TOP OF AIR INLET B	TANK HT. C	DIAM. D	HT. TO GAS CONN. E	WATER CONN. CNTR. F	HT. TO SIDE T&P VALVE G	WATER CONN. SIZE H	FRONT TO BACK I	SHIP. WT. (LBS)	ENERGY FACTOR		AVG. ANNUAL OPER. COST
			NAT.	LP	NAT.	LP	NAT.	LP										NAT.	LP	NAT	
Tall	65	PRO+G65T-65N CN62 PDV	65	56	65.7	56.6	120	113	71-1/4	72-1/4	61-3/4	23	14-5/8	11	54	3/4	34-1/4	285	0.62	0.62	\$294
Tall	75	PRO+G75T-75N CN62 PDV	75.1	70	75.8	70.7	139	139	70-3/8	71-1/4	60-1/2	26-1/4	15	11	53	1	36-3/4	325	0.62	0.62	\$495†

Specify LP gas when ordering. Add gas input and "P" to model number. Example: PRO+G65T-56P CN62 PDV

See venting chart on back.



INTEGRATED HOME COMFORT



The new degree of comfort.™



Residential Gas  
Professional *Classic Plus* Heavy Duty  
Power Direct Vent Water Heaters

### Air-Inlet Venting Information for PRO+G65T-65N CN62 PDV and PRO+G75T-75N CN62 PDV

From Sea Level Through 2,000 ft. Above Sea Level					
Model	Vent & Combustion Air-Inlet System Diameter (Inches)	Min. Allowed Equivalent Vent & Combustion Air-Inlet Lengths – Each Pipe Run (Ft.)	Max. Allowed Equivalent Vent & Combustion Air-Inlet Lengths – Each Pipe Run (Ft.)	Vent and Combustion Air-Inlet System Termination(s)	
PRO+G65T-65N CN62 PDV	3	8	50	90° Elbows	–
PRO+G65T-65N CN62 PDV	3	8	40	–	Concentric*
PRO+G65T-65N CN62 PDV	4	8	100	90° Elbows	–
PRO+G75T-75N CN62 PDV	3	8	50	90° Elbows	–
PRO+G75T-75N CN62 PDV	3	8	40	–	Concentric*
PRO+G75T-75N CN62 PDV	4	8	100	90° Elbows	–

From 2,001 ft. Above Sea Level Through 5,999 ft. Above Sea Level					
Model	Vent & Combustion Air-Inlet System Diameter (Inches)	Min. Allowed Equivalent Vent & Combustion Air-Inlet Lengths – Each Pipe Run (Ft.)	Max. Allowed Equivalent Vent & Combustion Air-Inlet Lengths – Each Pipe Run (Ft.)	Vent and Combustion Air-Inlet System Termination(s)	
PRO+G65T-65N CN62 PDV	3	8	30	90° Elbows	–
PRO+G65T-65N CN62 PDV	3	8	20	–	Concentric*
PRO+G65T-65N CN62 PDV	4	8	100	90° Elbows	–
PRO+G75T-75N CN62 PDV	3	8	25	90° Elbows	–
PRO+G75T-75N CN62 PDV	3	8	20	–	Concentric*
PRO+G75T-75N CN62 PDV	4	8	100	90° Elbows	–

From 6,000 ft. Above Sea Level Through 7,700 ft. Above Sea Level					
Model	Vent & Combustion Air-Inlet System Diameter (Inches)	Min. Allowed Equivalent Vent & Combustion Air-Inlet Lengths – Each Pipe Run (Ft.)	Max. Allowed Equivalent Vent & Combustion Air-Inlet Lengths – Each Pipe Run (Ft.)	Vent and Combustion Air-Inlet System Termination(s)	
PRO+G65T-65N CN62 PDV	4	8	40	90° Elbows	–
PRO+G75T-75N CN62 PDV	4	8	50	90° Elbows	–

- One 90° elbow is approximately equivalent to 5 feet of pipe. One 45° elbow is approximately equivalent to 2.5 feet of pipe.
- \* Use only Rheem 3 inch concentric termination.

In keeping with its policy of continuous progress and product improvement, Rheem reserves the right to make changes without notice.

Rheem Canada Ltd./Ltée • 125 Edgeware Road, Unit 1  
Brampton, Ontario L6Y 0P5 • www.rheem.com



INTEGRATED HOME COMFORT