



The new degree of comfort.™



Residential Gas
Professional Classic
Power Direct Vent Water Heaters

Professional Classic™ Power Direct Vent gas water heaters are a perfect choice for tight construction or when indoor air quality is a concern

Efficiency

- .67 EF
- ENERGY STAR® rated

Performance

- FHR: Up to 93 gallons for natural and LP gas
- Recovery: 38.4 to 40.4 at a 90 degree rise, based on model

Self-Diagnostic System

- Electronic gas control for improved monitoring and service



Low Emissions

- Eco-friendly burner, low NOx design

Features

- Two pipe system: one pipe pulls in outside air for combustion and the other exhausts combustion gases
- 120 VAC powered blower
- New whisper quiet blower

Flammable Vapor Detection System

- Protective control system that disables the heater in the presence of flammable vapor accumulation

Flexible Venting Options

- Long venting lengths up to 100 feet
- PVC, ABS, or CPVC vent pipe options
- Vertical or horizontal termination
- Concentric vent kit available

Longer Life

- Rheem exclusive R-Tech (resistored) anode rod provides long-lasting tank protection

High Altitude Compliant

- Models are certified for applications up to 10,200 feet above sea level

Plus...

- Enhanced flow brass drain valve
- Temperature and pressure relief valve included
- Low lead compliant
- Durable silicon nitride igniter (HSI)
- EverKleen™ patented system fights sediment build-up
- Standard replacement parts

Warranty

- 6-Year limited tank and parts warranty*
- With ProtectionPlus™ the 6-year limited tank warranty becomes 10-year

*See Residential Warranty Certificate for complete information

Units meet or exceed ANSI requirements and have been tested according to D.O.E. procedures. Units meet or exceed the energy efficiency requirements of NAECA, ASHRAE standard 90, ICC Code and all state energy efficiency performance criteria.



Professional Classic Power Direct Vent

40 and 50-Gallon Capacities
Up to 40,400 Btu/h
Natural and LP Gas



LEED Point = 1

See dimensions chart on back.



INTEGRATED HOME COMFORT



The new degree of comfort.™

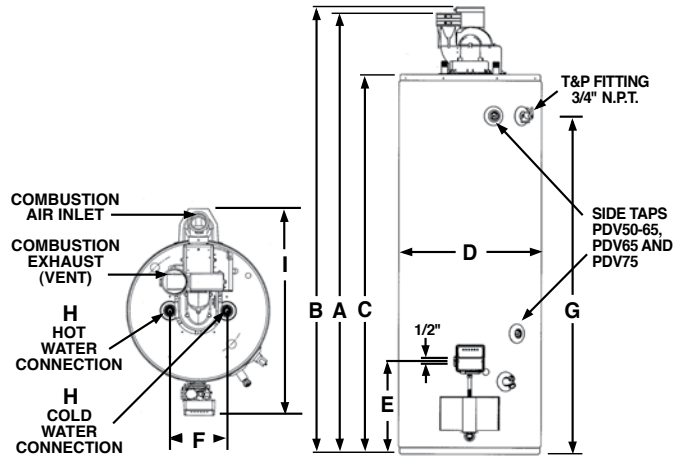


Residential Gas
Professional Classic
Power Direct Vent Water Heaters

Professional Classic™ Atmospheric Specifications

DESCRIPTION			FEATURES					ROUGHING IN DIMENSIONS (SHOWN IN INCHES)										ENERGY INFO.		
TYPE	GAL. CAP.	NATURAL GAS MODEL NUMBER*	GAS INPUT IN THOUS. BTU/H		RECOVERY IN G.P.H. 90° RISE		FIRST HOUR DEL. G.P.H.		HT. TO TOP OF VENT	HT. TO TOP OF AIR INLET	TANK HT. C	DIAM. D	HT. TO GAS CONN. E	WATER CONN. CNTR. F	HT. TO SIDE T&P VALVE G	WATER CONN. SIZE H	FRONT TO BACK I	SHIP. WT. (LBS)	ENERGY FACTOR	
			NAT.	LP	NAT.	LP	NAT.	LP	A	B									NAT.	LP
Tall	40	PROG40-40N RH67 PDV	40		40.4		73		68-1/2	69-1/4	60-1/4	19-3/4	14	8	53-3/4	3/4	29-1/2	180	0.67	
Tall	40	PROG40-38P RH67 PDV		38		38.4		73	68-1/2	69-1/4	60-1/4	19-3/4	14	8	53-3/4	3/4	29-1/2	180		0.67
Tall	50	PROG50-40N RH67 PDV	40		40.4		93		67-5/8	67-7/8	59-3/8	21-3/4	14	8	52-3/4	3/4	31-1/2	205	0.67	
Tall	50	PROG50-40P RH67 PDV		40		40.4		93	67-5/8	67-7/8	59-3/8	21-3/4	14	8	52-3/4	3/4	31-1/2	205		0.67

Energy Factor based on D.O.E. (Department of Energy) test procedures.



Air-Inlet Venting Information

FROM SEA LEVEL THROUGH 5,999 FT. ABOVE SEA LEVEL						
MODEL	VENT & COMBUSTION AIR-INLET SYSTEM DIAMETER (INCHES)	MIN. ALLOWED EQUIV. VENT & COMBUSTION AIR-INLET LENGTHS – EACH PIPE RUN (FT.)	MAX. ALLOWED EQUIV. VENT & COMBUSTION AIR-INLET LENGTHS – EACH PIPE RUN (FT.)	VENT AND COMBUSTION AIR-INLET SYSTEM TERMINATION(S)		
PROG40-40N RH67 PDV	2	7	30	90° Elbows	Concentric*	
PROG40-40N RH67 PDV	3	7	60	90° Elbows	–	
PROG40-40N RH67 PDV	3	7	50	–	Concentric*	
PROG50-40N RH67 PDV	2	7	30	90° Elbows	Concentric*	
PROG50-40N RH67 PDV	3	7	60	90° Elbows	–	
PROG50-40N RH67 PDV	3	7	50	–	Concentric*	

FROM 6,000 FT. ABOVE SEA LEVEL THROUGH 7,700 FT. ABOVE SEA LEVEL						
MODEL	VENT & COMBUSTION AIR-INLET SYSTEM DIAMETER (INCHES)	MIN. ALLOWED EQUIV. VENT & COMBUSTION AIR-INLET LENGTHS – EACH PIPE RUN (FT.)	MAX. ALLOWED EQUIV. VENT & COMBUSTION AIR-INLET LENGTHS – EACH PIPE RUN (FT.)	VENT AND COMBUSTION AIR-INLET SYSTEM TERMINATION(S)		
PROG40-40N RH67 PDV	2	7	15	90° Elbows	–	
PROG40-40N RH67 PDV	2	7	30	–	Concentric*	
PROG40-40N RH67 PDV	3	7	60	90° Elbows	–	
PROG40-40N RH67 PDV	3	7	50	–	Concentric*	
PROG50-40N RH67 PDV	2	7	15	–	Concentric*	
PROG50-40N RH67 PDV	3	7	60	90° Elbows	–	
PROG50-40N RH67 PDV	3	7	50	–	Concentric*	

FROM 7,701 FT. ABOVE SEA LEVEL THROUGH 10,200 FT. ABOVE SEA LEVEL						
MODEL	VENT & COMBUSTION AIR-INLET SYSTEM DIAMETER (INCHES)	MIN. ALLOWED EQUIV. VENT & COMBUSTION AIR-INLET LENGTHS – EACH PIPE RUN (FT.)	MAX. ALLOWED EQUIV. VENT & COMBUSTION AIR-INLET LENGTHS – EACH PIPE RUN (FT.)	VENT AND COMBUSTION AIR-INLET SYSTEM TERMINATION(S)		
PROG40-40N RH67 PDV	2	7	15	–	Concentric*	
PROG40-40N RH67 PDV	3	7	60	90° Elbows	–	
PROG40-40N RH67 PDV	3	7	50	–	Concentric*	
PROG50-40N RH67 PDV	3	7	60	90° Elbows	–	
PROG50-40N RH67 PDV	3	7	50	–	Concentric*	

One 90° elbow is approximately equivalent to 5 feet of pipe. One 45° elbow is approximately equivalent to 2.5 feet of pipe.

* Use only Rheem 3 inch concentric termination.

In keeping with its policy of continuous progress and product improvement, Rheem reserves the right to make changes without notice.

Rheem Water Heating • 101 Bell Road
Montgomery, Alabama 36117-4305 • www.rheem.com



INTEGRATED HOME COMFORT