



The new degree of comfort.™



Residential Gas
Prestige RTGH Tankless Water Heaters

Rheem Prestige® RTGH is a series of high-efficiency condensing tankless gas water heaters designed for continuous hot water

Efficiency

- Up to .96 EF with stainless steel condensing heat exchanger
- Intelligent electronic controls designed to increase energy efficiency and safety

Performance

- Exclusive! Water savings setting – upon activation, this setting can save homeowners up to 1,100 gallons of water per year¹ by decreasing the flow of water through the pipes until the temperature reaches the heater's set temperature
- Low flow fixture compatible – Industry-first minimum flow rate of .26 GPM and minimum activation flow rate of .40 GPM ensures the user will receive hot water even in low demand situations
- Recirculation Pump Kit-Ready – Quickly pairs with our Recirculation Pump kit to provide instantaneous hot water at the tap²

Easy Installation and Service

- Built-in condensate neutralizer
- 1/2" Gas line compatibility on every model
- Exclusive! Maintenance Notice Setting alerts homeowner – flashing a warning code to call for service check
- Self-diagnostic system for easy installation and service
- Digital display shows temperature setting and maintenance codes
- High-altitude capability – up to 8,400 ft. elevation above sea level³

Technology

- EZ-Link™ cable available for higher demand applications to connect two tankless units to operate as one
- Manifold up to six units with an optional MIC-6 manifold control board
- Manifold up to 20 units with the optional MIC-185 plus the MICS-180 manifold control assembly

Safety

- Exclusive! Guardian OFW™ overheat film wrap
- Hot-start programming helps minimize fluctuation in water temperature, referred to as “cold water sandwich”, during periods of frequent on/off operation

Plus...

- Digital remote control and 10 ft. of thermostat wire included
- Supplied with a 120-volt power cord (indoor models only)
- Freeze protection to -30°F
- EZ-Spec™ Sizing Software – advanced online tool that takes the guess work out of sizing tankless applications – available at www.rheem.com/tankless

Warranty

- 12-Year heat exchanger – residential, 5-year heat exchanger – commercial, 5-year parts and 1-year labor
- See Warranty Certificate for complete information

Commercial Applications

The RTGH Condensing Tankless Series can be upgraded for high-temperature commercial use.

- Temperature range is 85°F to 185°F

UPGRADE KIT #	TANKLESS MODEL
RTGH-95 Upgrade Kits	
RTG20261A	RTGH-95DVLN-1
RTG20254B	RTGH-95DVLN-1
RTG20254C	RTGH-95XLN-1
RTG20254D	RTGH-95XLP-1
RTGH-90 Upgrade Kits	
RTG20262A	RTGH-90DVLN-1
RTG20255B	RTGH-90DVLN-1
RTG20255C	RTGH-90XLN-1
RTG20255D	RTGH-90XLP-1
RTGH-84 Upgrade Kits	
RTG20263A	RTGH-84DVLN-1
RTG20256B	RTGH-84DVLN-1
RTG20256C	RTGH-84XLN-1
RTG20256D	RTGH-84XLP-1

Note: These upgrade kits are not compatible with previous models. See the Tankless Parts and Accessories Catalog for a complete listing.



RTGH-DVL

Indoor Direct Vent Model
11,000-199,900 Btu/h
Natural and LP Gas



RTGH-XL

Outdoor Model
11,000-199,900 Btu/h
Natural and LP Gas



¹Savings based on DOE test procedures.

²Pump kit designed for single unit applications only.

³Contact customer service for exact altitude rating for each model.



INTEGRATED HOME COMFORT



The new degree of comfort.™



Residential Gas
Prestige RTGH Tankless Water Heaters

Rheem Prestige® Specifications

DESCRIPTION				FEATURES					ROUGHING IN DIMENSIONS (SHOWN IN INCHES)					ENERGY INFO.				
MODEL NUMBER	GAS INPUT BTU/H	TYPE	NUMBER OF BATHROOMS*	TEMP. RANGE	MIN. FLOW/ACTIVATION GPM	GPM @ 77° RISE MAX.	GPM @ 45° RISE MAX.	MAX. GPM	CONNECTION		HEIGHT	WIDTH	DEPTH	VENT DIAM.	SHIP WEIGHT (LBS.)	ENERGY FACTOR	RECOVERY EFFIC.	EST. YEARLY ENERGY COST NAT/LP
									WATER	GAS								
Rheem Prestige® RTGH-95																		
RTGH-95DVLN-1	11,000-199,900	Indoor Direct Vent	4	85° to 140° F	0.26/0.40	5.0	8.5	9.5	3/4	3/4	27-1/2	18-1/2	9-3/4	2", 3" or 4" PVC 2-Pipe	82	.96	96%	\$170/412
RTGH-95XLN-1	11,000-199,900	Outdoor	4	85° to 140° F	0.26/0.40	5.0	8.5	9.5	3/4	3/4	27-1/2	18-1/2	9-3/4	N/A	82	.95	95%	\$172/417
Rheem Prestige® RTGH-90																		
RTGH-90DVLN-1	11,000-180,000	Indoor Direct Vent	3 - 4	85° to 140° F	0.26/0.40	4.5	7.7	9.0	3/4	3/4	27-1/2	18-1/2	9-3/4	2", 3" or 4" PVC 2-Pipe	82	.96	97%	\$170/412
RTGH-90XLN-1	11,000-180,000	Outdoor	3 - 4	85° to 140° F	0.26/0.40	4.5	7.7	9.0	3/4	3/4	27-1/2	18-1/2	9-3/4	N/A	82	.95	97%	\$172/417
Rheem Prestige® RTGH-84																		
RTGH-84DVLN-1	11,000-157,000	Indoor Direct Vent	3	85° to 140° F	0.26/0.40	3.9	6.7	8.4	3/4	3/4	27-1/2	18-1/2	9-3/4	2", 3" or 4" PVC 2-Pipe	82	.96	96%	\$170/412
RTGH-84XLN-1	11,000-157,000	Outdoor	3	85° to 140° F	0.26/0.40	3.9	6.7	8.4	3/4	3/4	27-1/2	18-1/2	9-3/4	N/A	82	.95	95%	\$172/417

*Based on simultaneous showers using 2.5 GPM flow rate pre-mixed with cold water line. Flow rates vary depending on temperature of incoming cold water and water heater set temperature. Refer to flow rate curves for accurate sizing. Estimated energy cost based on a national average fuel cost of \$1.09/therm for natural gas and \$2.41/gallon for LP. Energy factor determined by the U.S. Department of Energy (DOE) test procedures. All models are available in Natural Gas and Propane (LP). For Propane replace the N with P when ordering. SCAQMD 1146.2 compliant.

Factory set maximum temperature is 120° F. See Use and Care Manual for setting. Consult factory for information on sizing the application.

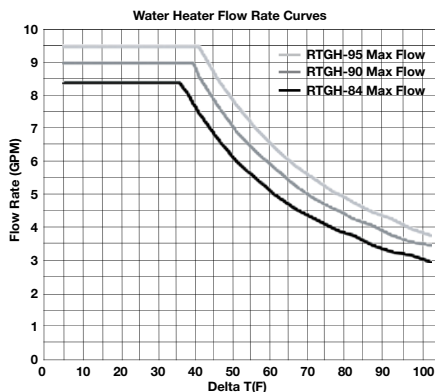
Add a "C" to the model number when ordering Canadian models. Outdoor models are only for seasonal use in Canada. Please contact Rheem Canada Ltd. for details.

Vent Termination Kits are required for Direct Vent models. Contact your distributor for details.

Proper gas pressure must be ensured to supply tankless gas water heaters – up to 199,900 Btu/h for RTGH-95 models, up to 180,000 Btu/h for RTGH-90 models, up to 157,000 Btu/h for RTGH-84 models. (Consult your gas supplier)

Model Number	Temperature Rise (° F)									
	35°	45°	50°	60°	70°	77°	80°	90°	100°	
RTGH-95 Water Flow (GPM)	9.5	8.5	7.7	6.4	5.5	5.0	4.8	4.3	3.8	
RTGH-90 Water Flow (GPM)	9.0	7.7	6.9	5.8	4.9	4.5	4.3	3.8	3.5	
RTGH-84 Water Flow (GPM)	8.4	6.7	6.0	5.0	4.3	3.9	3.8	3.3	3.0	

Above estimates are for sizing purposes only.

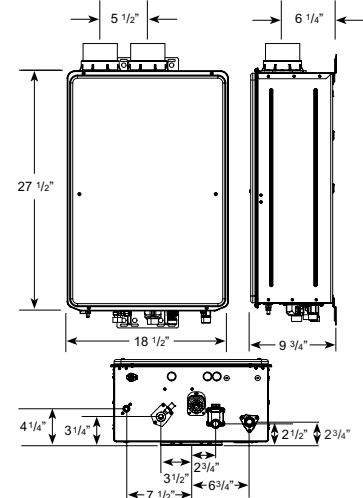


Maximum Vent Length (intake/outlet):

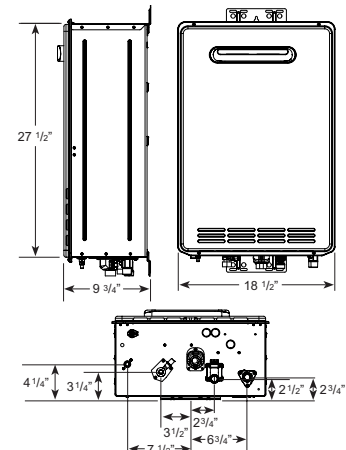
NUMBER OF 90° ELBOWS	MAXIMUM LENGTH OF 2" STRAIGHT PIPE	MAXIMUM LENGTH OF 3" STRAIGHT PIPE	MAXIMUM LENGTH OF 4" STRAIGHT PIPE
0 or 1	5.0 ft. (1.5 m)	38.0 ft. (11.6 m)	94.0 ft. (28.6 m)
2	3.5 ft. (1.0 m)	36.5 ft. (11.1 m)	88.0 ft. (26.8 m)
3	2.0 ft. (0.6 m)	35.0 ft. (10.6 m)	82.0 ft. (25.0 m)
4	Not Available	33.5 ft. (10.2 m)	76.0 ft. (23.2 m)
5	Not Available	32.0 ft. (9.8 m)	70.0 ft. (21.3 m)
6	Not Available	30.5 ft. (9.3 m)	64.0 ft. (19.5 m)

(ULC-S636 pipe must be used for Canada.)

Indoor Direct Vent



Outdoor



Parts and Accessories

Venting & terminations – 2", 3" or 4" PVC, recess boxes, pipe covers, extra remote controls, EZ-Link™ cable, manifolds and cables, service valve kits, service parts, flush kits, recirculation pump kits and AllClear™ water treatment system. For more information on Tankless parts and accessories, see the Parts and Accessories Catalog or call 866-720-2076.

In keeping with its policy of continuous progress and product improvement, Rheem reserves the right to make changes without notice.

Rheem Water Heating • 101 Bell Road
Montgomery, Alabama 36117-4305 • www.rheem.com

Rheem Canada Ltd./Ltée • 125 Edgeware Road, Unit 1
Brampton, Ontario L6Y 0P5 • www.rheem.com



INTEGRATED HOME COMFORT