



The new degree of comfort.™

# SUBMITTAL COVER SHEET

PROJECT NAME \_\_\_\_\_

LOCATION \_\_\_\_\_

ARCHITECT \_\_\_\_\_

ENGINEER \_\_\_\_\_

CONTRACTOR \_\_\_\_\_

SUBMITTED BY \_\_\_\_\_ DATE \_\_\_\_\_

## UNIT SUMMARY

Quantity						
Unit Designation						
Model No.						
Total Cooling						
Sensible Cooling						
Air Ent. Evaporator						
Air Lvg. Evaporator						
Heating Input						
Heating Output						
CFM/ESP						
EER/SEER						
Electrical						
Minimum Ampacity						
Min.-Max. Breaker						
Net Unit Weight						
Accessory						
Catalog Form Number						

**ACCESSORIES:**

**NOTES:**



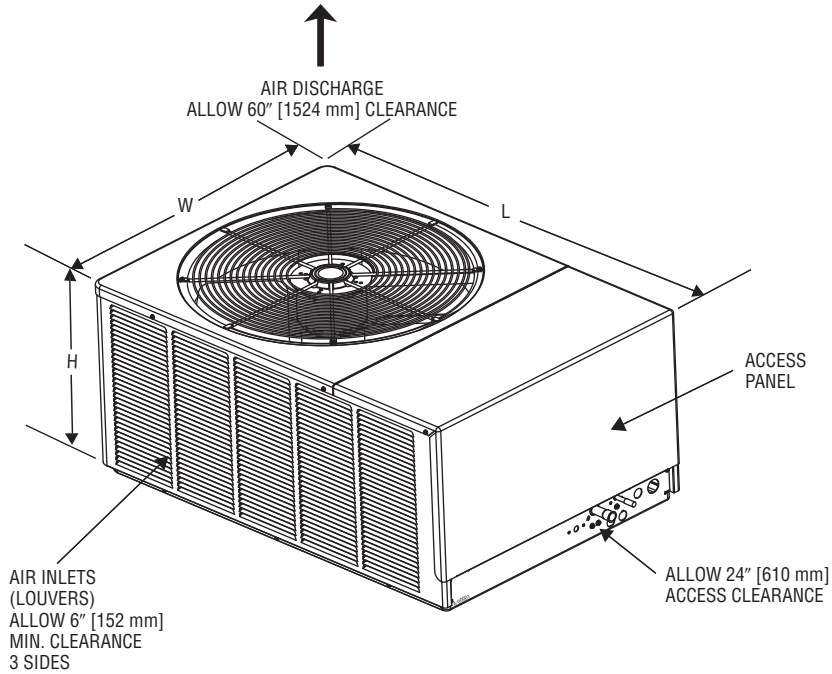
INTEGRATED HOME COMFORT



## DIMENSIONS

Model Number (-)-ANL-	Height "H" (Inches) [mm]	Length "L" (Inches) [mm]	Width "W" (Inches) [mm]
018	19 [483]	35 <sup>1</sup> / <sub>2</sub> [902]	23 <sup>3</sup> / <sub>4</sub> [603]
024/031	19 [483]	40 <sup>1</sup> / <sub>2</sub> [1029]	27 <sup>5</sup> / <sub>8</sub> [702]
037/043	23 [584]	44 <sup>3</sup> / <sub>8</sub> [1127]	31 <sup>1</sup> / <sub>2</sub> [800]
049	29 [737]	44 <sup>3</sup> / <sub>8</sub> [1127]	31 <sup>1</sup> / <sub>2</sub> [800]
060	33 [838]	44 <sup>3</sup> / <sub>8</sub> [1127]	31 <sup>1</sup> / <sub>2</sub> [800]

[ ] Designates Metric Conversions



## SPECIAL NOTES ON EQUIPMENT:

**Before proceeding with installation, refer to installation instructions packaged with each model, as well as complying with all Federal, State, Provincial, and Local codes, regulations, and practices.**

RHEEM  
MANUFACTURING  
COMPANY  
5600 Old Greenwood Road, Fort Smith, Arkansas 72908

*"In keeping with its policy of continuous progress and product improvement, Rheem reserves the right to make changes without notice."*