



The new degree of comfort.™

# SUBMITTAL COVER SHEET

PROJECT NAME \_\_\_\_\_

LOCATION \_\_\_\_\_

ARCHITECT \_\_\_\_\_

ENGINEER \_\_\_\_\_

CONTRACTOR \_\_\_\_\_

SUBMITTED BY \_\_\_\_\_ DATE \_\_\_\_\_

## UNIT SUMMARY

Quantity						
Unit Designation						
Model No.						
Total Cooling						
Sensible Cooling						
Air Ent. Evaporator						
Air Lvg. Evaporator						
Heating Input						
Heating Output						
CFM/ESP						
EER/SEER						
Electrical						
Minimum Ampacity						
Min.-Max. Breaker						
Net Unit Weight						
Accessory						
Catalog Form Number						

**ACCESSORIES:**

**NOTES:**



# (-)APM- JAZ SERIES – AIR CONDITIONERS

## EFFICIENCIES TO 16 SEER/13 EER

### NOMINAL SIZES 1.5-5 TONS [5.28-17.6 kW]

JOB NAME \_\_\_\_\_ UNIT MODEL NO. \_\_\_\_\_

CONTRACTOR \_\_\_\_\_ COIL MODEL NO. \_\_\_\_\_

ENGINEER \_\_\_\_\_ AIR HANDLER MODEL NO. \_\_\_\_\_

SUBMITTED FOR     APPROVAL     RECORD    LOCATION \_\_\_\_\_

DATE \_\_\_\_\_ ORDER NO. \_\_\_\_\_

#### UNIT DATA

##### COOLING PERFORMANCE

EFFICIENCY ..... SEER

TOTAL CAPACITY ..... MBH [kW]

SENSIBLE CAPACITY ..... MBH [kW]

OUTDOOR DESIGN TEMP. .... °F [°C] DB

TEMP. OF AIR ENTERING  
EVAPORATOR COIL ..... °F [°C] DB  
..... °F [°C] WB

##### SUPPLY AIR BLOWER PERFORMANCE

TOTAL AIR SUPPLY ..... CFM [L/s]

TOTAL RESISTANCE EXTERNAL  
TO UNIT ..... IWC

MOTOR RATING ..... HP [W]

##### ELECTRICAL DATA

POWER SUPPLY ..... Hz

MINIMUM WIRE SIZE ..... AWG

MAXIMUM OVERCURRENT DEVICE  
FUSES/HACR BREAKER ..... AMPS

##### CLEARANCES

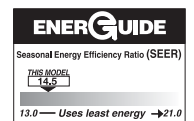
ACCESS SIDE	24" [609.6 mm]
AIR INLETS	6" [152 mm]
ABOVE UNIT	60" [1524 mm]

#### FEATURES FOR (-)APM- JAZ SERIES

- R410-A Refrigerant
- High Efficiency
- Scroll Compressor
- All refrigerant connections are on the exterior of the unit, located close to the ground for neat appearing installations.
- Powder painted galvanized steel cabinet. The full wrap-around louvered grille protects the coil from damage.
- Copper tube—aluminum fin coils are used on all models.
- The control box is located in the top corner of the cabinet providing for easy access through a service panel.
- Service valves are standard on all models.
- Power and control wiring are kept separate.
- Separate compressor compartment for easy service access.
- Drawn, painted base pan for extra corrosion resistance and sound reduction.
- The automatic high and low pressure controls are standard on the (-)APM model.
- The filter drier is standard on all models.
- Certified and rated under AHRI Standard 210.
- U.L. and cUL listed.
- Factory limited warranty on all parts as follows:  
Conditional Parts (Registration Required) ..... Ten (10) Years

#### FIELD INSTALLED ACCESSORIES

- Low Ambient Control .....
- Compressor Time Delay Control .....
- Hard Start Components .....
- Compressor Crankcase Heater (CCH) .....

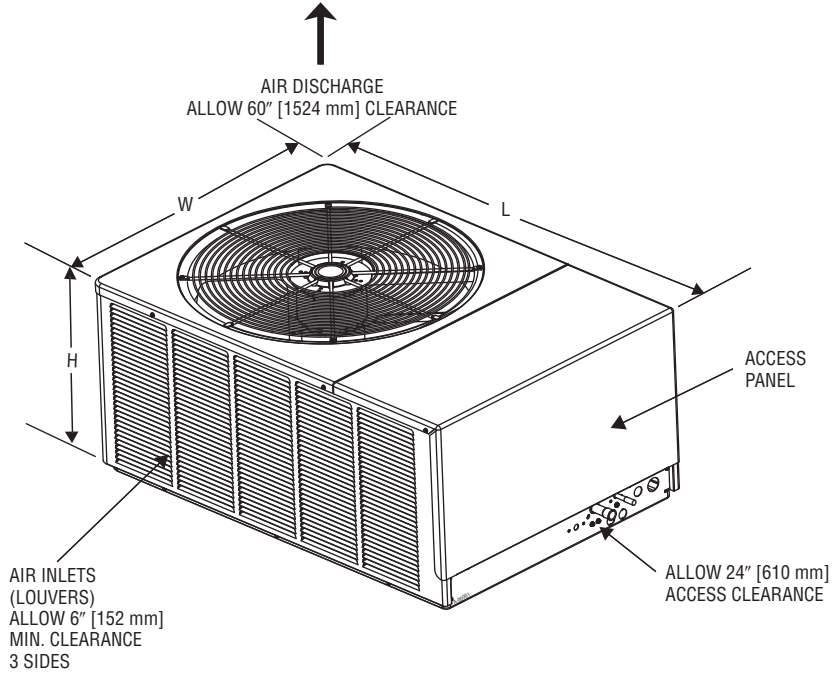


*"Proper sizing and installation of equipment is critical to achieve optimal performance. Split system air conditioners and heat pumps must be matched with appropriate coil components to meet ENERGY STAR criteria. Ask your Contractor for details or visit [www.energystar.gov](http://www.energystar.gov)."*

## DIMENSIONS

Model Number (-APM-	Height "H" (Inches) [mm]	Length "L" (Inches) [mm]	Width "W" (Inches) [mm]
018JAZ	19 [483]	40 <sup>1</sup> / <sub>2</sub> [1029]	27 <sup>5</sup> / <sub>8</sub> [702]
024JAZ/030JAZ	29 [737]	44 <sup>3</sup> / <sub>8</sub> [1127]	31 <sup>1</sup> / <sub>2</sub> [800]
036JAZ/042JAZ 048JAZ/056JAZ/060JAZ	33 [838]	44 <sup>3</sup> / <sub>8</sub> [1127]	31 <sup>1</sup> / <sub>2</sub> [800]

[ ] Designates Metric Conversions



## SPECIAL NOTES ON EQUIPMENT:

**Before proceeding with installation, refer to installation instructions packaged with each model, as well as complying with all Federal, State, Provincial, and Local codes, regulations, and practices.**

Rheem Sales Company, Inc.  
P.O. Box 17010, Fort Smith, AR 72917

*"In keeping with its policy of continuous progress and product improvement, Rheem reserves the right to make changes without notice."*