



SUBMITTAL COVER SHEET

PROJECT NAME _____

LOCATION _____

ARCHITECT _____

ENGINEER _____

CONTRACTOR _____

SUBMITTED BY _____ DATE _____

UNIT SUMMARY

Quantity						
Unit Designation						
Model No.						
Total Cooling						
Sensible Cooling						
Air Ent. Evaporator						
Air Lvg. Evaporator						
Heating Input						
Heating Output						
CFM/ESP						
EER/SEER						
Electrical						
Minimum Ampacity						
Min.-Max. Breaker						
Net Unit Weight						
Accessory						
Catalog Form Number						

ACCESSORIES:

NOTES:

SUBMITTAL SHEET FOR RBHM- 2 TO 5 NOMINAL TON [7.0 TO 17.6 kW] AIR HANDLERS

JOB NAME _____ LOCATION _____
 CONTRACTOR _____ ORDER NO. _____
 ENGINEER _____ SUBMITTED FOR APPROVAL RECORD
 DATE _____ OUTDOOR UNIT MODEL NO. _____
 MODEL NO. _____ INDOOR COIL MODEL NO. _____



UNIT DATA

COOLING PERFORMANCE

TOTAL CAPACITY* MBH [kW]
 SENSIBLE CAPACITY* MBH [kW]
 OUTDOOR DESIGN TEMP. °F [°C] DB
 TOTAL SUPPLY AIR CFM [L/s]
 TEMP. OF AIR ENTERING
 EVAPORATOR COIL °F [°C] DB
 °F [°C] WB
 POWER INPUT REQUIREMENT kW
 (*uses blower motor heat)

HEATING PERFORMANCE

TOTAL CAPACITY* MBH [kW]
 OUTDOOR DESIGN TEMP. °F [°C] DB
 TEMP. OF AIR ENTERING
 EVAPORATOR COIL °F [°C] DB
 ELECTRIC HEAT CAPACITY kW
 POWER INPUT REQUIREMENT kW
 (*uses blower motor heat)

SUPPLY AIR BLOWER PERFORMANCE

TOTAL AIR SUPPLY CFM [L/s]
 TOTAL RESISTANCE EXTERNAL
 TO UNIT IWG
 BLOWER SPEED RPM
 POWER OUTPUT REQUIREMENT .. BHP
 MOTOR RATING HP [W]
 POWER INPUT REQUIREMENT kW

ELECTRICAL DATA

POWER SUPPLY / /
 TOTAL UNIT AMPACITY AMPS
 MINIMUM WIRE SIZE AWG
 MAXIMUM OVERCURRENT DEVICE
 FUSES/HACR BREAKER AMPS

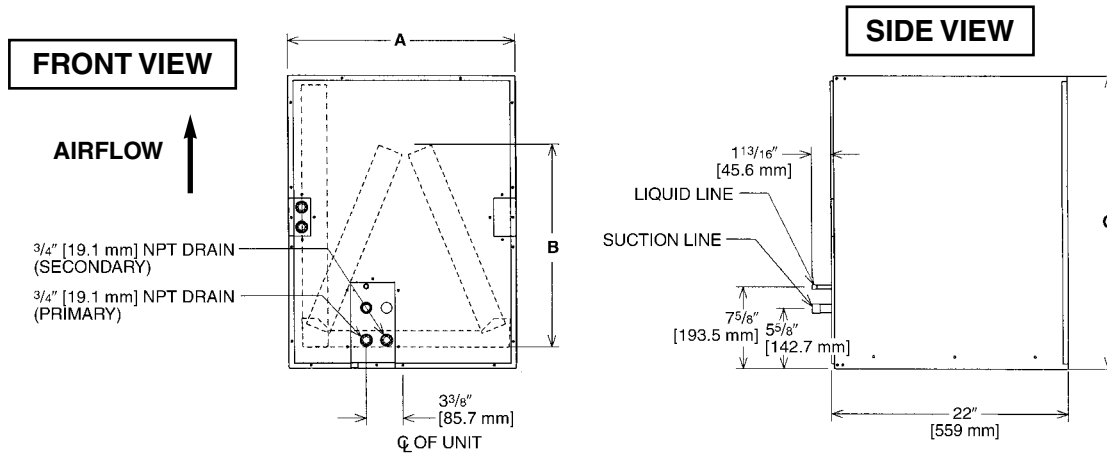
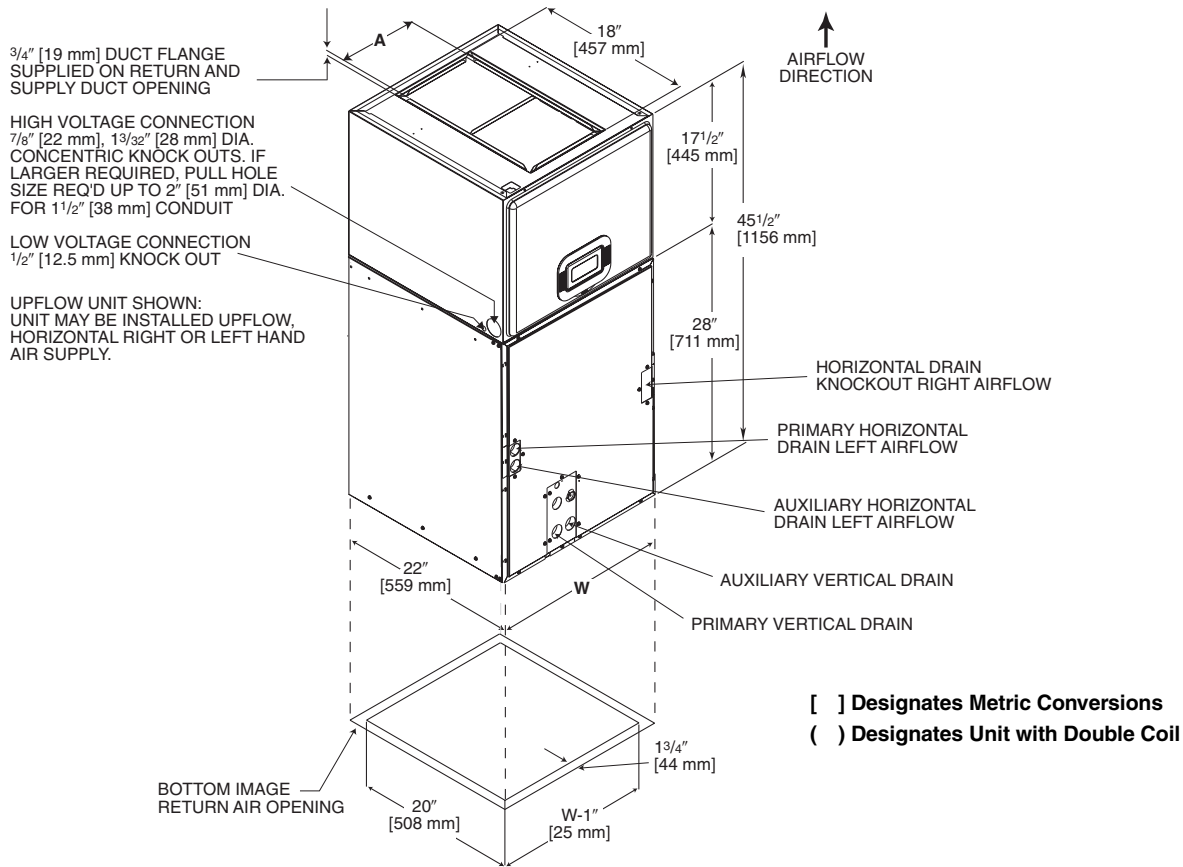
CLEARANCES

SERVICE ACCESS FRONT 24" [609.6 mm]

FEATURES FOR RBHM- AIR HANDLERS 2 TO 5 NOMINAL TONS [7.0 TO 17.6 kW]

- Attractive pre-painted cabinet exterior.
- The blower box has rugged double wall steel cabinet construction.
- Quiet, energy efficient ECM motor technology providing nominal airflow to 1.0 inch [25 kPa] of external static pressure.
- Circuit breakers standard on 1-phase models above 11 kW and optional on models with 11 kW or less.
- Models supplied with circuit breakers meet UL and CUL requirements as a service disconnect switch.
- Provisions for field electrical connections from either side of air handler cabinet.
- Tab lock blower housing with integrated electric heaters, controls, motor and blower. Slide out design for service and maintenance convenience.
- Exclusive, dependable Incoloy sheath-type electric heating elements located in the blower housing provide mixed warm air.
- Field convertible for vertical upflow, horizontal right or left hand air supply.
- Indoor coil design provides low air side pressure drop and high performance. All coils come with PVC condensate elbow standard.
- All indoor coils have copper tubing and aluminum fins.
- Molded polymer corrosion resistant condensate drain pan is provided on all indoor coils.
- Both supply and return duct flanges provided as standard on air handler cabinet.
- Connection points for both high voltage and low voltage control wiring inside air handler cabinet.
- Concentric knockouts are provided for power connection to cabinet. Installer may pull desired hole size up to 2 inches [51 mm] for 1 1/2 inch [38 mm] conduit.
- Dip switch settings for selectable, customized cooling airflow over a wide variety of applications.
- Selectable continuous fan "on" options.
- Certified and rated under ARI Standards 210 & 240.
- Features a 10-year limited parts warranty, applicable only to single-phase products installed in residential applications.
- On-demand dehumidification-terminal that adjusts airflow to help control humidity for unsurpassed comfort in cooling mode.





Unit Dimensions & Weights

Model Number RBHM- (with double coil)	Unit Width "W" In. [mm]	Supply Duct "A" In. [mm]	Nominal Coil Airflow Stage				Unit Weight/Shipping Weight (Lbs.) [kg]
			1st		2nd		Unit With Coil (Max. KW)
			ODD	Normal	ODD	Normal	
17	17 1/2 [445]	7 9/16 [192]	450	600	600	800	136/143 [62/65]
24	24 1/2 [622]	11 3/4 [298]	720	900	960	1200	190/199 [86/90]
25	24 1/2 [622]	11 3/4 [298]	960	1200	1280	1600	196/205 [89/93]
26	24 1/2 [622]	11 3/4 [298]	1050	1275	1350	1700	197/206 [89/83]

Before proceeding with installation, refer to installation instructions packaged with each model, as well as complying with all Federal, State, Provincial, and Local codes, regulations, and practices.

Rheem Sales Company, Inc.
P.O. Box 17010, Fort Smith, AR 72917

"In keeping with its policy of continuous progress and product improvement, Rheem reserves the right to make changes without notice."