



The new degree of comfort.™

Rheem High Efficiency Air Handler



RBHP- Series

X-13 (ECM) Motor

Efficiencies up to 16 SEER



- Industry Standard R-410A Refrigerant also Suitable for R-22 Applications
- Models featuring Electric Heat without Indoor Cooling Coil
- Quiet and efficient X-13 (ECM) motor technology
- Only 35" tall and 4-way convertible for all those tight spaces
- Available from factory in upflow and horizontal configurations
- Nominal airflow up to 0.5" external static pressure with reduced airflow up to 1.0" external static pressure
- Factory installed MultiFlex® coils
- Sturdy steel construction with 1 inch [25.4 mm] of foil faced insulation for excellent sound and insulating characteristics
- Permanent, easily accessible and washable filter furnished standard
- Circuit breaker (standard on units with more than 11 kW) meets U.L. and cUL requirements for service disconnect
- Factory installed auxiliary electric heat provides exact heat for indoor comfort over a variety of applications
- Watt restrictors, standard on RBHP-17 models above 6 kW and on RBHP-21, RBHP-24 & RBHP-25 models above 11 kW, stage supplemental heat so that only the necessary amount is engaged to maintain comfort in the conditioned space
- Fan settings for selectable, customized cooling airflow over a wide variety of applications

TABLE OF CONTENTS

| | |
|-----------------------------------|-----|
| Engineering Features | 3 |
| Model Number Identification | 4 |
| Dimensional Data..... | 5 |
| Airflow Directional Data | 6 |
| Airflow Performance Data | 7-9 |
| Electrical Data | 10 |
| Electrical Wiring | 11 |
| Accessories | 12 |
| Limited Warranty | 13 |

Engineering Features

RBHP- Series

- Quiet, efficient X-13 (ECM) motor technology providing nominal airflow to 0.5 inch [12 kPa] of external static pressure.
- Field selectable airflow to meet the requirements of particular applications.
- Low continuous fan speed.
- The most compact unit design available.
- Attractive pre-painted cabinet exterior.
- Rugged steel cabinet construction, designed for added strength and versatility.
- 1" foil faced insulation mechanically retained in blower compartment.
- Four leg rubber insulated wire motor mount.
- Circuit breakers standard on models above 11 kW and optional on models with 11 kW or less.
- Models supplied with circuit breakers meet UL and cUL requirements as a service disconnect switch.
- Provisions for field electrical connections from either side of air handler cabinet.
- Tab lock blower housing with integrated electric heaters, controls, motor and blower. Slide out design for service and maintenance convenience.
- Exclusive dependable Incoloy sheath type electric heating elements located in the blower housing provide mixed warm air.
- Field convertible for vertical upflow, vertical downflow, horizontal left hand or right hand air supply.
- Common combustible floor base accessory fits all model sizes when required for downflow installations on combustible floors.
- Durable framed cleanable air filter provided as standard in unit filter rack.
- MultiFlex® indoor coil design provides low air side pressure drop, high performance and extremely compact size. All coils come with PVC condensate elbow standard.
- All indoor coils have copper tubing and aluminum fins.
- Molded polymer corrosion resistant condensate drain pan is provided on all indoor coils.
- Both supply and return duct flanges provided as standard on air handler cabinet.
- Connection points for both high voltage and low voltage control wiring inside air handler cabinet.
- Concentric knockouts are provided for power connection to cabinet. Installer may pull desired hole size up to 2 inches [51 mm] for 1 1/2 inch [38 mm] conduit.
- Patented watt restrictor on heat pump models to control electric heat during heating operation.
- Internal checked TX valves are used on the RCHJ & RCHL Heat Pump indoor coil for more quiet refrigerant metering.
- Front refrigerant and drain connections.

[] Designates Metric Conversions

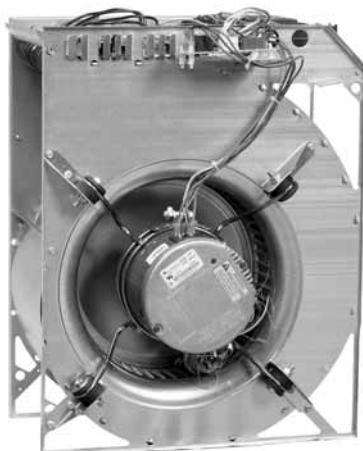
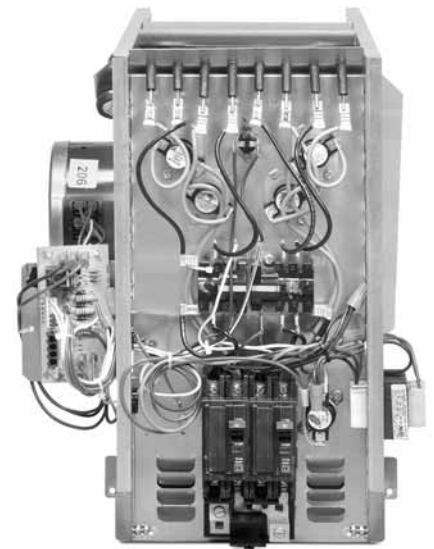
Watt-restrictor

Supplemental heat, provided by electric heating elements may be necessary in some areas when heating requirements for indoor comfort exceed the capacity of the heat pump system. When supplemental heat is required, units with the Watt Restrictor will restrict the amount of supplemental electric heat that can be energized dependent on the heat output of the heat pump (temperature of the air leaving the indoor heat pump coil).

The Watt-restrictor utilizes sensing devices in the unit to sense the air temperature leaving the indoor coil and disengage unnecessary heating elements when that temperature is at least 85°F [29°C]. (In this mode your system is controlled by the first stage of the wall thermostat.) This occurs only when the second stage of the wall thermostat calls for heat.

Since the heat output of the heat pump is dependent upon the outdoor air temperature, this control performs the same function as a field installed outdoor thermostat.

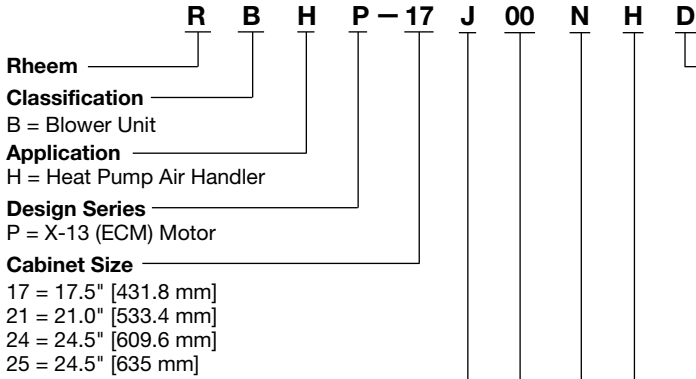
An additional benefit of the Watt Restrictor is that it can sense a degradation in heat pump performance due to causes other than outdoor temperature and react accordingly to bring on more supplemental electric heat.



**X-13 (ECM)
MOTOR**

**BLOWER
SECTION**

Model Number Identification



Coil Code
A = No Coil

| Coil Code | Refrigerant Type | Cabinet Width | | | |
|-----------|------------------|---------------|---------------|---------------|---------------|
| | | 17 | 21 | 24 | 25 |
| D | R-22 | RCHJ-24A1GH17 | RCHJ-36A1GH21 | RCHJ-48A1GH24 | |
| E | R-22 | | | | RCHJ-60A1GH24 |
| 1 | R-410A | RCHL-24A2GH17 | | | |
| 2 | R-410A | | RCHL-36A1GH21 | | |
| 4 | R-410A | | | RCHL-48A1GH24 | |
| 7 | R-410A | | | | RCHL-60A1GH24 |

[] Designates Metric Conversions

Airflow
Horizontal Multi-Position

Control
N = No Circuit Protection (Single Circuit)
S = Circuit Breaker (Single Circuit)

Electric Heat
00 = No Heat 14 = 14.0 kW
06 = 4.9 kW 18 = 17.5 kW
07 = 7.0 kW 21 = 21.0 kW
11 = 10.0 kW

Voltage
A = 115V-1-60
J = 208/240V-1-60

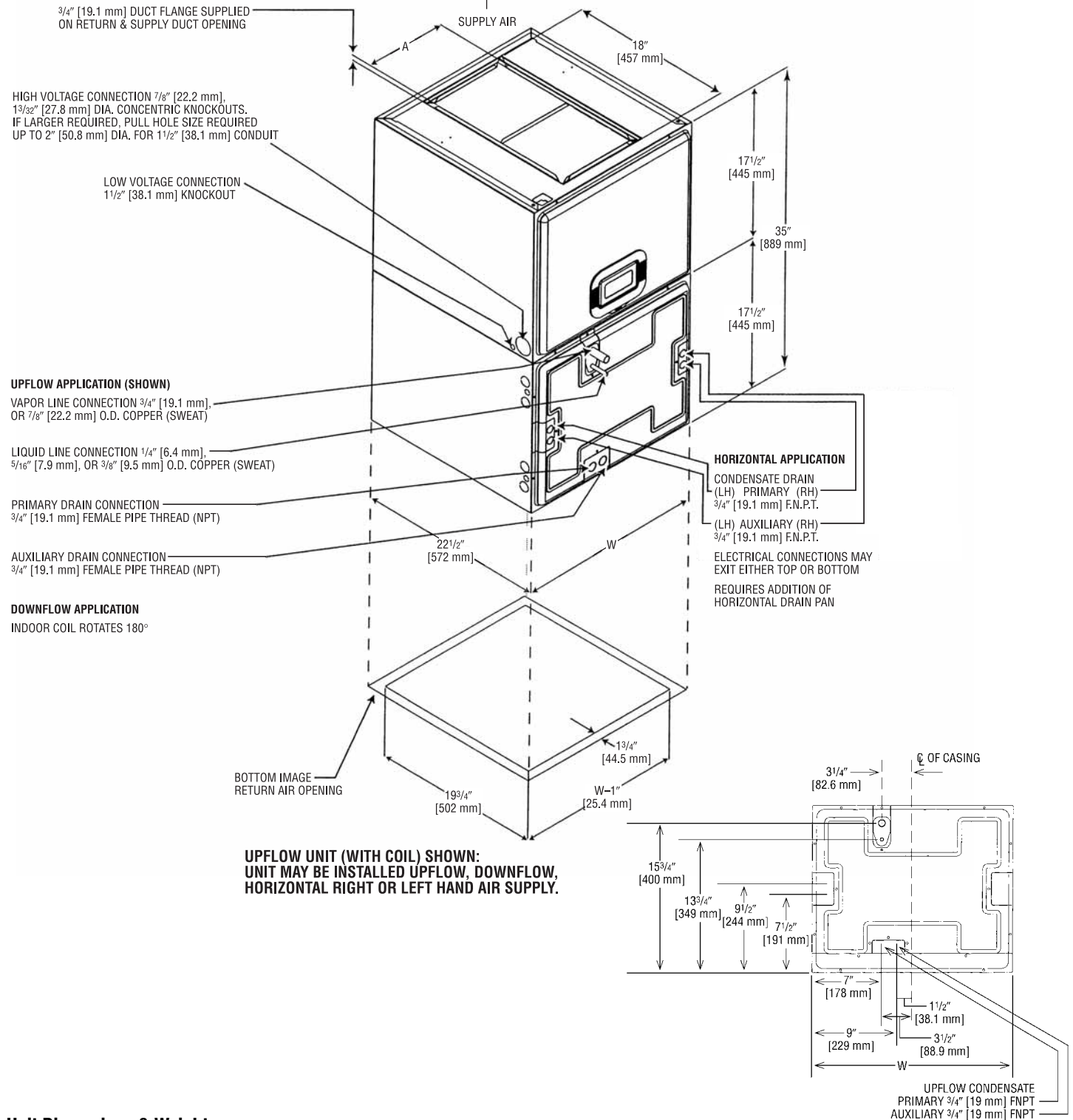
| Available Models (Without Coil) |
|------------------------------------|
| RBHP-17J11SHA |
| RBHP-21J14SHA |
| RBHP-24J18SHA |
| RBHP-25J21SHA |

| Available Models featuring R-22 Refrigerant |
|---|
| RBHP-17A00NHD |
| RBHP-17J06SHD |
| RBHP-17J07SHD |
| RBHP-17J11SHD |
| RBHP-21A00NHD |
| RBHP-21J06SHD |
| RBHP-21J07SHD |
| RBHP-21J11SHD |
| RBHP-21J14SHD |
| RBHP-24A00NHD |
| RBHP-24J06SHD |
| RBHP-24J07SHD |
| RBHP-24J11SHD |
| RBHP-24J14SHD |
| RBHP-24J18SHD |
| RBHP-25A00NHE |
| RBHP-25J11SHE |
| RBHP-25J14SHE |
| RBHP-25J18SHE |
| RBHP-25J21SHE |

| Available Models featuring R-410A Refrigerant |
|---|
| RBHP-17A00NH1 |
| RBHP-17J06SH1 |
| RBHP-17J07SH1 |
| RBHP-17J11SH1 |
| RBHP-21A00NH2 |
| RBHP-21J06SH2 |
| RBHP-21J07SH2 |
| RBHP-21J11SH2 |
| RBHP-21J14SH2 |
| RBHP-24A00NH4 |
| RBHP-24J06SH4 |
| RBHP-24J07SH4 |
| RBHP-24J11SH4 |
| RBHP-24J14SH4 |
| RBHP-24J18SH4 |
| RBHP-25A00NH7 |
| RBHP-25J11SH7 |
| RBHP-25J14SH7 |
| RBHP-25J18SH7 |
| RBHP-25J21SH7 |

Unit Dimensions

NOTE: 24" CLEARANCE REQUIRED IN FRONT OF UNIT FOR FILTER AND COIL MAINTENANCE.

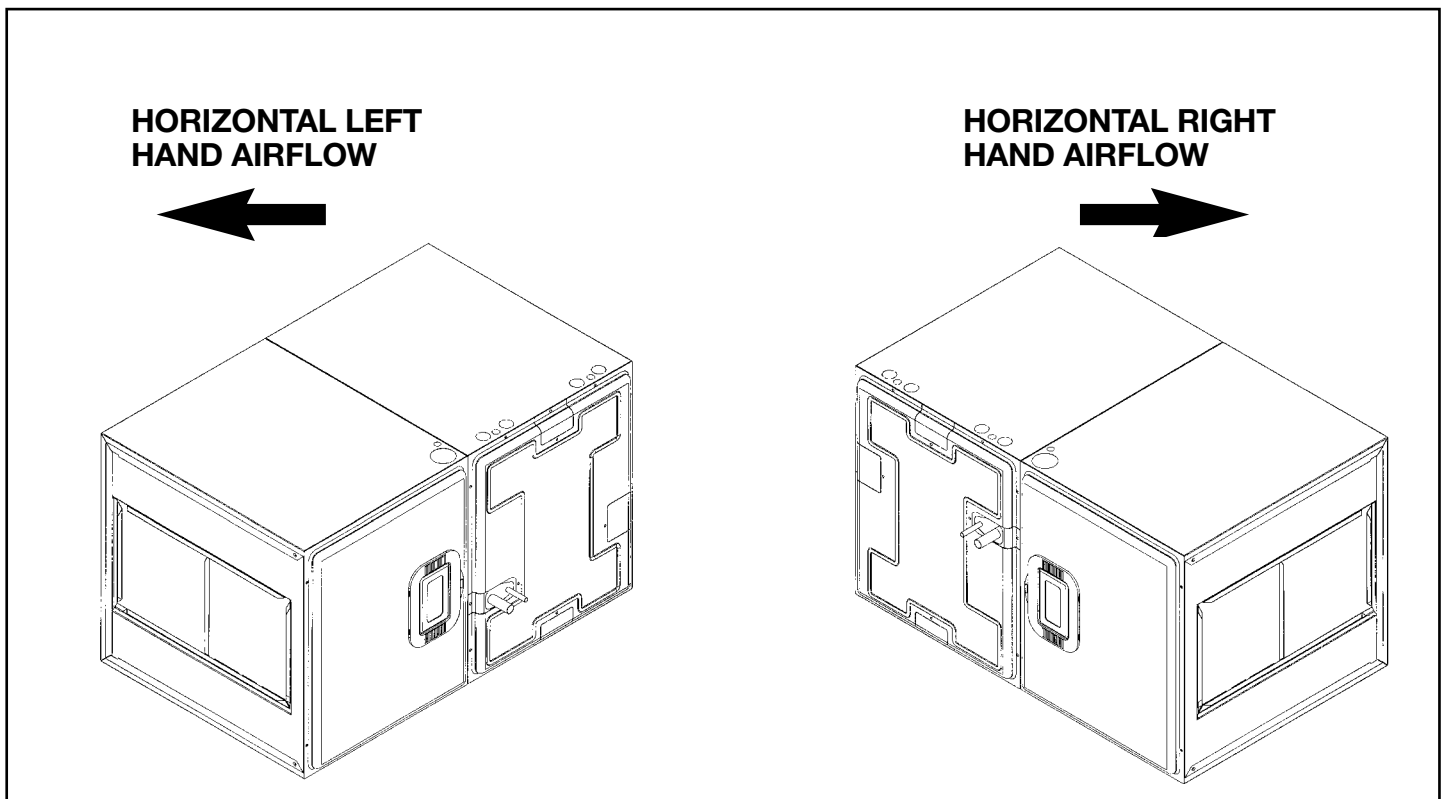
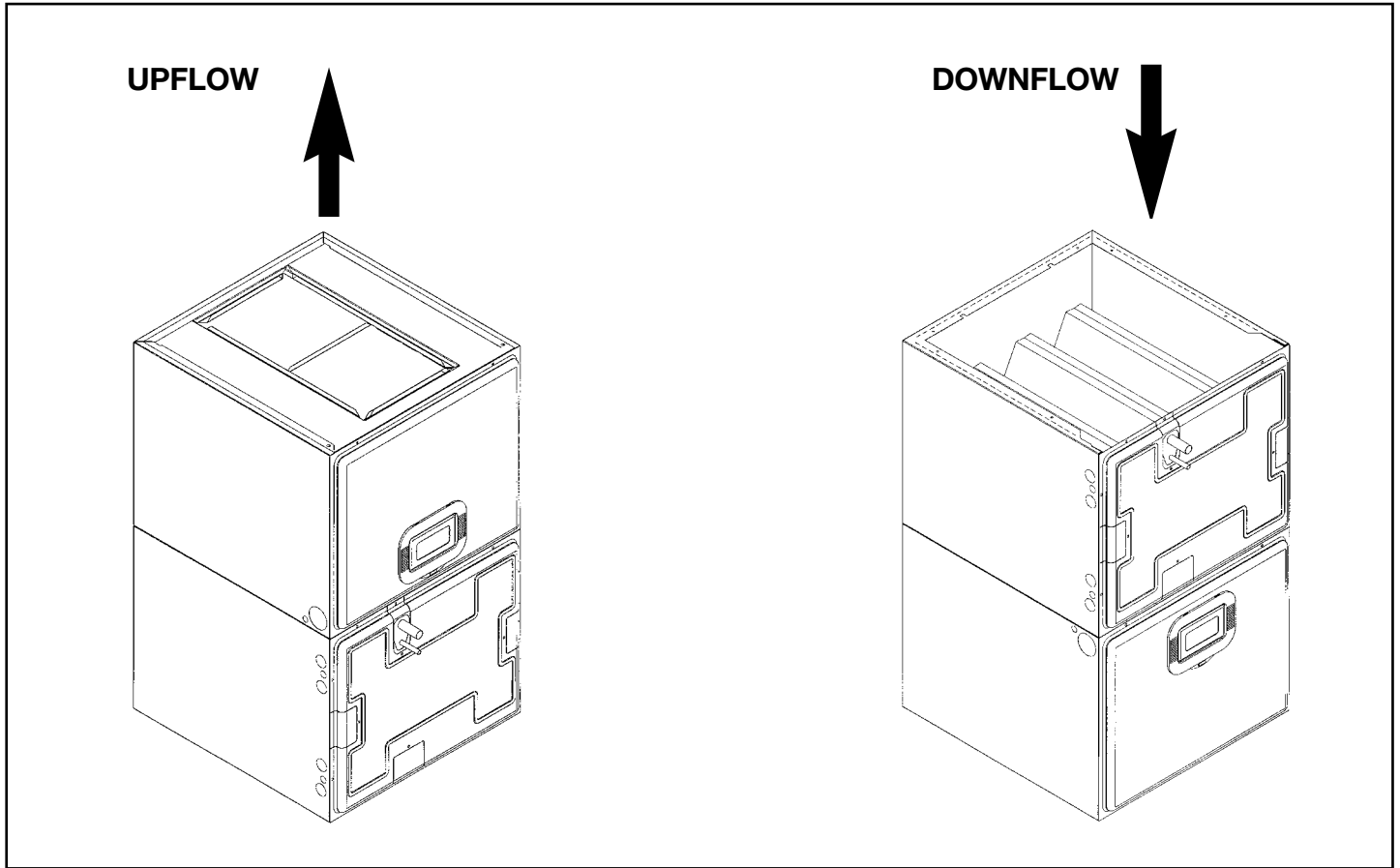


Unit Dimensions & Weights

| Model Number Cabinet Size | Unit Width "W" In. [mm] | Supply Duct "A" In. [mm] | Unit Weight/Shipping Weight (Lbs.) [kg] | |
|------------------------------|----------------------------|-----------------------------|---|--------------------------------|
| | | | Unit With Coil (Max. kW) | Unit Without Coil (Max. kW) |
| 17 | 17 1/2 [445] | 7 9/16 [192] | 92/99 [42/45] | 66/75 [30/31] |
| 21 | 21 [533] | 9 7/16 [240] | 109/117 [49/53] | 79/87 [36/39] |
| 24 | 24 1/2 [622] | 11 3/4 [298] | 125/134 [57/61] | 88/97 [40/44] |
| 25 | 24 1/2 [622] | 11 3/4 [298] | 125/134 [57/61] | 88/97 [40/44] |

[] Designates Metric Conversions

Airflow Directional Data



NOTE: Coil and blower section are always in a draw through configuration.



Airflow Performance

Airflow performance data is based on cooling performance with a coil and filter in place. Select performance table for appropriate unit size, voltage and number of electric heaters to be used. Make sure external static applied to unit allows operation within the minimum and maximum limits shown in table below for both cooling and electric heat operation. For optimum blower performance, operate the unit in the .2" to .5" in.

W.C. external static range. In general, the indoor motor speed tap should be as shown in table for the appropriate cooling capacity shown. Always check to make sure proper motor speed tap is connected as units are shipped from the factory connected for high speed operation (Speed Tap 5).

Airflow Operating Limits

| Model Cabinet Size | 17 | | 21 | | 24 | | 25 | |
|---|-----------------|-----------------|-----------------|-----------------|------------------|------------------|------------------|------------------|
| Cooling BTUH Cooling Tons Nominal | 18,000 1.5 | 24,000 2 | 30,000 2.5 | 36,000 3 | 42,000 3.5 | 48,000 4 | 60,000 5 | 60,000 5 |
| Heat Pump or Air Conditioning Maximum Heat/Cool CFM [L/s] (37.5 CFM [18 L/s]/1,000 BTUH) (450 CFM [212 L/s]/Ton Nominal) | 675 [319] | 900 [425] | 1125 [531] | 1350 [637] | 1575 [743] | 1800 [850] | 2025 [956] | 2250 [1062] |
| Heat Pump or Air Conditioning Nominal Heat/Cool CFM [L/s] (33.3 CFM [16 L/s]/1,000 BTUH) (400 CFM [189 L/s]/Ton Nominal) | 600 [283] | 800 [378] | 1000 [472] | 1200 [566] | 1400 [661] | 1600 [755] | 1800 [850] | 2000 [944] |
| Heat Pump or Air Conditioning Minimum Heat/Cool CFM [L/s] (30.0 CFM [14 L/s]/1,255 BTUH) (360 CFM [170 L/s]/Ton Nominal) | 540 [255] | 720 [330] | 900 [425] | 1080 [510] | 1260 [595] | 1440 [680] | 1620 [765] | 1800 [850] |
| Maximum KW Electric Heating & Minimum Electric Heat CFM [L/s] | 11 560 [264] | 11 560 [264] | 14 900 [425] | 14 900 [425] | 18 1220 [576] | 18 1220 [576] | 21 1460 [689] | 21 1460 [689] |
| Maximum Electric Heat Rise °F [°C] | 85 [29] | 85 [29] | 70 [21] | 70 [21] | 65 [18] | 65 [18] | 65 [18] | 65 [18] |

NOTE: See Airflow Performance Data for Recommended Blower Motor Speed.

[] Designates Metric Conversions

Airflow Performance Data

| Model Cabinet Size | Tonnage | Electric Heaters | Blower Motor | | CFM [L/s] (Watts)/External Static Pressure—Inches W.C. [kPa] with filter and Indoor Coil | | | | | | | | | | |
|--------------------|------------------|------------------|-------------------|---------|--|---------------------|---------------------|---------------------|---------------------|---------------------|---------------------|---------------------|---------------------|---------------------|---|
| | | | Nominal Speed Tap | Volts | .10 [.02] | .20 [.05] | .30 [.07] | .40 [.10] | .50 [.12] | .60 [.15] | .70 [.17] | .80 [.20] | .90 [.23] | 1.0 [.25] | |
| -17 | 1.5 Ton Air Flow | none | 2 | 208/240 | 659 [311] (74) | 625 [294] (80) | 581 [274] (84) | 539 [254] (88) | — | — | — | — | — | — | |
| | | none | 3 | 208/240 | 790 [372] (98) | 759 [358] (105) | 722 [340] (113) | 687 [324] (119) | 650 [306] (126) | 615 [290] (131) | 573 [270] (139) | 552 [260] (145) | 507 [239] (150) | 460 [217] (155) | |
| | | 3 (max.) | 2 | 208/240 | 649 [306] (79) | 615 [290] (84) | 571 [269] (88) | 529 [249] (92) | — | — | — | — | — | — | — |
| | | 3 (max.) | 3 | 208/240 | 773 [365] (110) | 736 [347] (113) | 699 [330] (118) | 677 [320] (126) | 640 [302] (132) | 605 [286] (141) | 563 [266] (146) | 542 [256] (154) | 497 [235] (157) | 450 [212] (162) | — |
| | | none | 2 | 115 | 651 [307] (76) | 627 [295] (82) | 583 [275] (86) | 541 [255] (90) | — | — | — | — | — | — | — |
| | | none | 3 | 115 | 776 [366] (105) | 743 [351] (109) | 724 [342] (118) | 687 [324] (122) | 658 [311] (131) | 617 [291] (136) | 595 [281] (144) | 555 [262] (148) | 517 [244] (152) | 460 [217] (162) | — |
| | 2.0 Ton Air Flow | none | 4 | 208/240 | 844 [398] (141) | 819 [386] (146) | 799 [377] (155) | 764 [360] (160) | — | — | — | — | — | — | — |
| | | none | 5 | 208/240 | 958 [452] (162) | 934 [440] (172) | 914 [431] (176) | 888 [419] (186) | 855 [403] (189) | 816 [380] (210) | 785 [370] (204) | 760 [358] (214) | 708 [334] (223) | 672 [317] (226) | — |
| | | 3 (max.) | 4 | 208/240 | 834 [393] (146) | 809 [831] (150) | 789 [372] (159) | 754 [355] (164) | — | — | — | — | — | — | — |
| | | 3 (max.) | 5 | 208/240 | 946 [446] (179) | 922 [435] (189) | 902 [426] (193) | 876 [413] (203) | 843 [398] (206) | 804 [380] (216) | 773 [365] (221) | 748 [353] (231) | 696 [328] (240) | 660 [311] (243) | — |
| | | none | 4 | 115 | 846 [399] (143) | 821 [387] (148) | 801 [378] (157) | 766 [361] (162) | — | — | — | — | — | — | — |
| | | none | 5 | 115 | 964 [455] (167) | 945 [446] (178) | 914 [431] (181) | 888 [419] (191) | 861 [406] (196) | 821 [387] (205) | 787 [372] (210) | 761 [359] (218) | 726 [342] (220) | 690 [326] (230) | — |
| -21 | 2.5 Ton Air Flow | none | 2 | 208/240 | 1068 [504] (138) | 1041 [491] (147) | 1001 [472] (153) | 972 [458] (161) | — | — | — | — | — | — | |
| | | none | 3 | 208/240 | 1187 [560] (180) | 1162 [548] (188) | 1125 [530] (192) | 1099 [518] (200) | 1058 [499] (208) | 1013 [478] (215) | 982 [463] (223) | 951 [448] (232) | 899 [424] (234) | 855 [403] (237) | |
| | | 4 (max.) | 2 | 208/240 | 1035 [488] (143) | 1007 [475] (152) | 966 [455] (158) | 936 [441] (169) | — | — | — | — | — | — | |
| | | 4 (max.) | 3 | 208/240 | 1157 [546] (182) | 1132 [534] (192) | 1095 [517] (198) | 1069 [505] (209) | 1028 [485] (218) | 983 [464] (228) | 952 [449] (239) | 921 [435] (250) | 869 [410] (255) | 825 [389] (262) | — |
| | | none | 2 | 115 | 1070 [504] (138) | 1043 [492] (147) | 1004 [473] (153) | 974 [459] (161) | — | — | — | — | — | — | — |
| | | none | 3 | 115 | 1138 [537] (175) | 1113 [525] (186) | 1075 [507] (191) | 1053 [497] (203) | 1004 [474] (210) | 957 [451] (216) | 932 [440] (226) | 901 [425] (231) | 855 [404] (242) | 800 [378] (252) | — |
| | 3.0 Ton Air Flow | none | 4 | 208/240 | 1269 [598] (207) | 1236 [583] (219) | 1174 [554] (226) | 1149 [542] (236) | — | — | — | — | — | — | — |
| | | none | 5 | 208/240 | 1397 [659] (287) | 1377 [649] (307) | 1346 [635] (317) | 1318 [622] (320) | 1291 [609] (322) | 1264 [596] (319) | 1234 [582] (312) | 1190 [561] (326) | 1155 [545] (351) | 1126 [531] (368) | — |
| | | 4 (max.) | 4 | 208/240 | 1241 [585] (222) | 1208 [570] (234) | 1174 [554] (241) | 1149 [542] (251) | — | — | — | — | — | — | — |
| | | 4 (max.) | 5 | 208/240 | 1366 [645] (302) | 1346 [635] (313) | 1315 [621] (323) | 1287 [608] (331) | 1260 [595] (341) | 1233 [582] (346) | 1203 [568] (358) | 1159 [547] (371) | 1124 [530] (381) | 1095 [517] (387) | — |
| | | none | 4 | 115 | 1269 [598] (207) | 1236 [583] (219) | 1174 [554] (226) | 1149 [542] (236) | — | — | — | — | — | — | — |
| | | none | 5 | 115 | 1370 [646] (292) | 1343 [634] (302) | 1309 [618] (309) | 1285 [607] (319) | 1258 [594] (330) | 1221 [576] (336) | 1182 [558] (348) | 1147 [542] (357) | 1117 [527] (366) | 1080 [510] (375) | — |

NOTES:

X-13 (ECM) NOTES (X-13 (ECM) Motor Speed Changes)

X-13 (ECM) Motors require no voltage change between 208 and 240 volts.

If application exceeds 0.5" of static, adjust the motor speed to the high static speed as described below:

All X-13 (ECM) motors have 5 speed tabs. Speed tab 1 is for continuous fan. Speed 2 (Low Static) and speed tab 3 (High Static) are lower tonnage. Speed tab 4 (Low Static) and Speed tab 5 (High Static) are for higher tonnage.

The lower static speed 2 (lower tonnage) and speed tab 4 (Higher tonnage) are used for external static below 0.5".

For external static exceeding 0.5", move the blue wire from the X-13 (ECM) motor to appropriate high static speed tab 3 (Lower tonnage) or speed tab 5 (Higher tonnage)

[] Designates Metric Conversions



Airflow Performance Data (con't.)

| Model Cabinet Size | Tonnage | Electric Heaters | Blower Motor | | CFM [L/s] (Watts)/External Static Pressure—Inches W.C. [kPa] with filter and Indoor Coil | | | | | | | | | |
|--------------------|------------------|------------------|-------------------|---------|--|---------------------|---------------------|---------------------|---------------------|---------------------|---------------------|---------------------|---------------------|---------------------|
| | | | Nominal Speed Tap | Volts | .10 [.02] | .20 [.05] | .30 [.07] | .40 [.10] | .50 [.12] | .60 [.15] | .70 [.17] | .80 [.20] | .90 [.23] | 1.0 [.25] |
| -24 | 3.5 Ton Air Flow | none | 2 | 208/240 | 1438 [678] (205) | 1409 [664] (217) | 1375 [648] (229) | 1341 [632] (252) | — | — | — | — | — | — |
| | | none | 3 | 208/240 | 1568 [740] (279) | 1538 [725] (290) | 1507 [711] (303) | 1471 [694] (313) | 1435 [677] (333) | 1403 [662] (338) | 1362 [642] (358) | 1318 [622] (365) | 1287 [607] (374) | 1250 [589] (405) |
| | | 5 (max.) | 2 | 208/240 | 1414 [667] (230) | 1384 [653] (242) | 1350 [637] (254) | 1315 [620] (277) | — | — | — | — | — | — |
| | | 5 (max.) | 3 | 208/240 | 1548 [730] (304) | 1518 [716] (316) | 1487 [701] (328) | 1451 [684] (338) | 1415 [667] (358) | 1383 [653] (368) | 1342 [633] (388) | 1298 [612] (395) | 1267 [597] (409) | 1230 [580] (455) |
| | | none | 2 | 115 | 1448 [683] (205) | 1419 [669] (217) | 1385 [653] (229) | 1351 [637] (252) | — | — | — | — | — | — |
| | | none | 3 | 115 | 1559 [735] (294) | 1527 [720] (308) | 1497 [706] (322) | 1466 [691] (335) | 1431 [675] (349) | 1378 [650] (367) | 1349 [636] (379) | 1306 [606] (393) | 1271 [599] (406) | 1250 [589] (417) |
| | 4.0 Ton Air Flow | none | 4 | 208/240 | 1640 [773] (311) | 1604 [757] (326) | 1587 [748] (335) | 1559 [735] (376) | — | — | — | — | — | — |
| | | none | 5 | 208/240 | 1789 [844] (413) | 1762 [831] (427) | 1731 [816] (433) | 1699 [801] (449) | 1667 [786] (462) | 1635 [771] (482) | 1602 [756] (498) | 1546 [729] (516) | 1515 [715] (529) | 1465 [691] (542) |
| | | 5 (max.) | 4 | 208/240 | 1613 [761] (331) | 1574 [742] (346) | 1557 [734] (355) | 1529 [721] (396) | — | — | — | — | — | — |
| | | 5 (max.) | 5 | 208/240 | 1759 [830] (433) | 1732 [817] (447) | 1701 [802] (453) | 1669 [787] (469) | 1637 [772] (482) | 1605 [757] (502) | 1572 [741] (518) | 1516 [715] (536) | 1485 [700] (549) | 1435 [677] (562) |
| | | none | 4 | 115 | 1642 [774] (311) | 1606 [757] (326) | 1589 [749] (335) | 1561 [736] (376) | — | — | — | — | — | — |
| | | none | 5 | 115 | 1811 [854] (423) | 1791 [845] (436) | 1760 [830] (451) | 1730 [816] (464) | 1700 [802] (479) | 1669 [787] (492) | 1606 [757] (516) | 1573 [742] (529) | 1538 [725] (542) | 1462 [689] (555) |
| -25 | 5.0 Ton Air Flow | none | 2 | 208/240 | 1872 [883] (373) | 1837 [866] (393) | 1798 [848] (407) | 1763 [832] (419) | — | — | — | — | — | — |
| | | none | 3 | 208/240 | 2075 [979] (497) | 2036 [960] (511) | 2017 [951] (533) | 1984 [936] (553) | 1944 [917] (563) | 1910 [901] (582) | 1889 [891] (599) | 1846 [871] (617) | 1805 [851] (626) | 1783 [841] (638) |
| | | 5 (max.) | 2 | 208/240 | 1831 [854] (393) | 1795 [847] (413) | 1756 [828] (427) | 1720 [811] (439) | — | — | — | — | — | — |
| | | 5 (max.) | 3 | 208/240 | 2043 [964] (517) | 2004 [945] (531) | 1985 [936] (553) | 1951 [920] (573) | 1912 [901] (583) | 1878 [886] (602) | 1857 [876] (619) | 1814 [856] (637) | 1773 [836] (646) | 1751 [826] (658) |
| | | none | 2 | 115 | 1872 [883] (373) | 1837 [866] (393) | 1798 [848] (407) | 1763 [832] (419) | — | — | — | — | — | — |
| | | none | 3 | 115 | 2075 [979] (497) | 2036 [960] (511) | 2017 [951] (533) | 1984 [936] (553) | 1944 [917] (563) | 1910 [901] (582) | 1889 [891] (599) | 1846 [871] (617) | 1805 [851] (626) | 1783 [841] (638) |
| | | none | 4 or 5 | 208/240 | 2102 [992] (550) | 2072 [977] (568) | 2042 [963] (584) | 2011 [949] (593) | 1974 [931] (610) | 1949 [919] (631) | 1916 [904] (644) | 1884 [889] (662) | 1851 [873] (669) | 1810 [854] (692) |
| | | 5 (max.) | 4 or 5 | 208/240 | 2070 [976] (560) | 2040 [962] (578) | 2010 [948] (594) | 1979 [933] (613) | 1942 [916] (620) | 1917 [904] (641) | 1884 [889] (654) | 1852 [874] (672) | 1819 [858] (679) | 1778 [839] (702) |
| | | none | 4 or 5 | 115 | 2102 [992] (550) | 2072 [977] (568) | 2042 [963] (584) | 2011 [949] (593) | 1974 [931] (610) | 1949 [919] (631) | 1916 [904] (644) | 1884 [889] (662) | 1851 [873] (669) | 1810 [854] (692) |

NOTES:

X-13 (ECM) NOTES (X-13 (ECM) Motor Speed Changes)

X-13 (ECM) Motors require no voltage change between 208 and 240 volts.

If application exceeds 0.5" of static, adjust the motor speed to the high static speed as described below:

All X-13 (ECM) motors have 5 speed tabs. Speed tab 1 is for continuous fan. Speed 2 (Low Static) and speed tab 3 (High Static) are lower tonnage. Speed tab 4 (Low Static) and Speed tab 5 (High Static) are for higher tonnage.

The lower static speed 2 (lower tonnage) and speed tab 4 (Higher tonnage) are used for external static below 0.5".

For external static exceeding 0.5", move the blue wire from the X-13 (ECM) motor to appropriate high static speed tab 3 (Lower tonnage) or speed tab 5 (Higher tonnage)

[] Designates Metric Conversions

Blower Motor Electrical Data: A Voltage (115V)

| Model Size/Elec. Designation | Voltage | Phase | Hertz | HP [W] | RPM | Speeds | Circuit Amps. | Minimum Circuit Ampacity | Maximum Circuit Protector |
|------------------------------|---------|-------|-------|-----------|----------|--------|---------------|--------------------------|---------------------------|
| RBHP-17A00NH* | 115 | 1 | 60 | 1/3 [249] | 300-1100 | 5 | 3.3 | 5.0 | 15 |
| RBHP-21A00NH* | 115 | 1 | 60 | 1/2 [373] | 300-1100 | 5 | 5.0 | 7.0 | 15 |
| RBHP-24A00NH* | 115 | 1 | 60 | 3/4 [559] | 300-1100 | 5 | 5.8 | 8.0 | 15 |
| RBHP-25A00NH* | 115 | 1 | 60 | 3/4 [559] | 300-1100 | 5 | 7.7 | 10.0 | 15 |

Blower Motor Electrical Data: J Voltage (208/240V)

| Model Size/Elec. Designation | Voltage | Phase | Hertz | HP [W] | RPM | Speeds | Circuit Amps. | Minimum Circuit Ampacity | Maximum Circuit Protector |
|------------------------------|---------|-------|-------|-----------|----------|--------|---------------|--------------------------|---------------------------|
| RBHP-17A00NH* | 115 | 1 | 60 | 1/3 [249] | 300-1100 | 5 | 3.3 | 5.0 | 15 |
| RBHP-21A00NH* | 115 | 1 | 60 | 1/2 [373] | 300-1100 | 5 | 5.0 | 7.0 | 15 |
| RBHP-24A00NH* | 115 | 1 | 60 | 3/4 [559] | 300-1100 | 5 | 5.8 | 8.0 | 15 |
| RBHP-25A00NH* | 115 | 1 | 60 | 3/4 [559] | 300-1100 | 5 | 7.7 | 10.0 | 15 |

Electric Heat Electrical Data

| Model Elec./KW Designation | Heater KW Volts 208/240 | PH/HZ | Heater No./KW & 240V | Type Supply Circuit Single Circuit Multiple Circuit | Circuit Amps. | Minimum Circuit Ampacity | Maximum Circuit Protector |
|----------------------------|-------------------------|-------|----------------------|---|---------------|--------------------------|---------------------------|
| RBHP-17J06SH* | 3.7/4.9 | 1/60 | 2/2.5 | Single Circuit | 19.8/22.4 | 25/29 | 25/30 |
| RBHP-17J07SH* | 5.3/7.0 | 1/60 | 2/3.5 | Single Circuit | 27.5/31.2 | 35/39 | 40/40 |
| RBHP-17J11SH* | 7.5/10.0 | 1/60 | 3/3.3 | Single Circuit | 38.1/43.7 | 48/55 | 50/60 |
| RBHP-21J06SH* | 3.7/4.9 | 1/60 | 2/2.5 | Single Circuit | 20.9/23.5 | 27/30 | 30/30 |
| RBHP-21J07SH* | 5.3/7.0 | 1/60 | 2/3.5 | Single Circuit | 28.6/32.3 | 36/41 | 40/45 |
| RBHP-21J11SH* | 7.5/10.0 | 1/60 | 3/3.3 | Single Circuit | 39.2/44.8 | 49/56 | 50/60 |
| RBHP-21J14SH* | 10.5/14.0 | 1/60 | 4/3.5 | Single Circuit | 54.1/61.4 | 68/77 | 70/80 |
| | 5.3/7.0 | | 2/3.5 | Multiple Ckt. 1 | 28.6/32.3 | 36/41 | 40/45 |
| | 5.3/7.0 | | 2/3.5 | Multiple Ckt. 2 | 25.5/29.2 | 32/37 | 35/40 |
| RBHP-24J06SH* | 3.7/4.9 | 1/60 | 2/2.5 | Single Circuit | 22.0/24.6 | 28/31 | 30/35 |
| RBHP-24J07SH* | 5.3/7.0 | 1/60 | 2/3.5 | Single Circuit | 29.7/33.4 | 38/42 | 40/45 |
| RBHP-24J11SH* | 7.5/10.0 | 1/60 | 3/3.3 | Single Circuit | 40.3/45.9 | 51/58 | 60/60 |
| RBHP-21J14SH* | 10.5/14.0 | 1/60 | 4/3.5 | Single Circuit | 55.2/62.5 | 69/79 | 70/90 |
| | 5.3/7.0 | | 2/3.5 | Multiple Ckt. 1 | 29.7/33.4 | 38/42 | 40/45 |
| | 5.3/7.0 | | 2/3.5 | Multiple Ckt. 2 | 25.5/29.2 | 32/37 | 35/40 |
| RBHP-21J18SH* | 13.2/17.5 | 1/60 | 5/3.5 | Single Circuit | 67.7/77.1 | 85/97 | 90/100 |
| | 5.3/7.0 | | 2/3.5 | Multiple Ckt. 1 | 29.7/33.4 | 38/42 | 40/45 |
| | 7.9/10.5 | | 3/3.5 | Multiple Ckt. 2 | 38.0/43.8 | 48/55 | 50/60 |
| RBHP-25J11SH* | 7.5/10.0 | 1/60 | 3/3.3 | Single Circuit | 41.8/47.4 | 53/60 | 60/60 |
| RBHP-25J14SH* | 10.5/14.0 | 1/60 | 4/3.5 | Single Circuit | 56.7/64.0 | 71/81 | 80/90 |
| | 5.3/7.0 | | 2/3.5 | Multiple Ckt. 1 | 31.2/34.9 | 39/44 | 40/50 |
| | 5.3/7.0 | | 2/3.5 | Multiple Ckt. 2 | 25.5/29.2 | 32/37 | 35/40 |
| RBHP-25J18SH* | 13.2/17.5 | 1/60 | 5/3.5 | Single Circuit | 69.2/78.6 | 87/99 | 90/100 |
| | 5.3/7.0 | | 2/3.5 | Multiple Ckt. 1 | 31.2/34.9 | 39/44 | 40/45 |
| | 7.9/10.5 | | 3/3.5 | Multiple Ckt. 2 | 38.0/43.8 | 48/55 | 50/60 |
| RBHP-25J21SH* | 15.0/20.0 | 1/60 | 6/3.3 | Single Circuit | 77.8/89.0 | 98/112 | 100/125 |
| | 7.5/10.0 | | 3/3.3 | Multiple Ckt. 1 | 41.8/47.4 | 53/60 | 60/70 |
| | 7.5/10.0 | | 3/3.3 | Multiple Ckt. 2 | 36.1/41.7 | 46/53 | 50/60 |

Supply circuit protective devices may be fuses or "HACR" type circuit breakers. Largest motor load is included in single circuit and circuit 1 multiple circuit. If non-standard fuse size is specified, use next size larger standard fuse size. [] Designates Metric Conversions

Electrical Wiring

Power Wiring

- Field wiring must comply with the National Electrical Code (C.E.C. in Canada) and any applicable local ordinance.
- Supply wiring must be 75°C minimum copper conductors only.
- See electrical data for product Ampacity rating and Circuit Protector requirement.

Grounding

- This product must be sufficiently grounded in accordance with National Electrical Code (C.E.C. in Canada) and any applicable local ordinance.
- A grounding lug is provided.

Combustible Floor Base for Downflow Installations

| Model Cabinet Size | Combustible Floor Base Model Number | Opening Front of Unit "W" Width-Inches [mm] | Opening Side of Unit "D" Depth-Inches [mm] |
|--------------------|-------------------------------------|--|---|
| All Models | RXBB-AA | 14 ³ / ₈ " [365] | 20 ⁵ / ₈ " [524] |

ACCESSORIES—KITS—PARTS

- **Combustible Floor Base RXBB-AA** for downflow applications.
 - **Jumper Bar Kit 3 Ckt. to 1 Ckt. RXBJ-A31** is used to convert single phase multiple three circuit units to a single supply circuit. Kit includes cover and screw for line side terminals.
 - **Jumper Bar Kit 2 Ckt. to 1 Ckt. RXBJ-A21** is used to convert single phase multiple two circuit units to a single supply circuit. Kit includes cover and screw for line side terminals.
- Note:** No jumper bar kit is available to convert three phase multiple two circuit units to a single supply circuit.
- **Finger Safe Circuit Breaker Cover**—Part Number 45-23203-01. One is required for each circuit breaker pole, if jumper bar is removed to provide multiple supply circuits.
 - **Evaporator Horizontal Drain Pan Model RXBD-CB:** all unit sizes.
 - **External Auxiliary Horizontal Drain Pan. RXBM-AA06**—Fits all models.

Replacement Filters

| Model Cabinet Size | Filter Size In. [mm] | Part Number |
|--------------------|------------------------|-------------|
| 17 | 16.25 x 21 [413 x 533] | 54-23217-02 |
| 21 | 19.75 x 21 [502 x 533] | 54-23217-03 |
| 24 | 23.25 x 21 [591 x 533] | 54-23217-04 |
| 25 | 23.25 x 21 [591 x 533] | 54-23217-04 |

[] Designates Metric Conversions

THERMOSTATS



| Brand | Descriptor (3 Characters) | Series (3 Characters) | System (2 Characters) | Type (2 Characters) |
|-----------|------------------------------|--|---|-----------------------------------|
| RHC | - | TST | 213 | UN |
| RHC=Rheem | TST=Thermostat | 200=Programmable 300=Deluxe Programmable 400=Special Applications/ Programmable 500=Communicating/ Programmable | GE=Gas/Electric UN=Universal (AC/HP/GE) MD=Modulating Furnace DF=Dual Fuel CM=Communicating | SS=Single-Stage MS=Multi-Stage |

* Photos are representative. Actual models may vary.

For detailed thermostat match-up information, see specification sheet form number T11-001.

GENERAL TERMS OF LIMITED WARRANTY*

Rheem will furnish a replacement for any part of this product which fails in normal use and service within the applicable periods stated, in accordance with the terms of the limited warranty.

Conditional Parts (Registration Required)Ten (10) Years

***For complete details of the Limited and Conditional Warranties, including applicable terms and conditions, contact your local contractor or the Manufacturer for a copy of the product warranty certificate.**



The new degree of comfort.™

In keeping with its policy of continuous progress and product improvement, Rheem reserves the right to make changes without notice.

Rheem Heating, Cooling & Water Heating • P.O. Box 17010
Fort Smith, Arkansas 72917 • www.rheem.com

Rheem Canada Ltd./Ltée • 125 Edgeware Road, Unit 1
Brampton, Ontario • L6Y 0P5



INTEGRATED HOME COMFORT

PRINTED IN U.S.A 11/12 QG FORM NO. H11-544