



The new degree of comfort.™

SUBMITTAL COVER SHEET

PROJECT NAME _____

LOCATION _____

ARCHITECT _____

ENGINEER _____

CONTRACTOR _____

SUBMITTED BY _____ DATE _____

UNIT SUMMARY

Quantity						
Unit Designation						
Model No.						
Total Cooling						
Sensible Cooling						
Air Ent. Evaporator						
Air Lvg. Evaporator						
Heating Input						
Heating Output						
CFM/ESP						
EER/SEER						
Electrical						
Minimum Ampacity						
Min.-Max. Breaker						
Net Unit Weight						
Accessory						
Catalog Form Number						

ACCESSORIES:

NOTES:



INTEGRATED HOME COMFORT

COMMUNICATING MODULATING DOWNFLOW GAS FURNACES

A.F.U.E.† up to 92.3%

RGGE- Series Input Rates from 60 to 120 kBTU [17.58 to 35.16 kW]

JOB NAME _____ MODEL NO. _____
 CONTRACTOR _____ OUTDOOR UNIT MODEL NO. _____
 ENGINEER _____ LOCATION _____
 SUBMITTED FOR APPROVAL RECORD ORDER NO. _____
 DATE _____

Equipped with Comfort Control² System™

- Serial communication enabled
- Increased system reliability and efficiency
- 28 on-board diagnostic and operating codes
- Active Protection™ with homeowner "Call for Service" alert
- Dual 7-segment LED display

UNIT DATA

HEATING PERFORMANCE

TOTAL CAPACITY INPUT* MBH [kW]
 TOTAL CAPACITY OUTPUT* .. MBH [kW]
 DESIGN TEMP. RISE °F [°C] DB
 AFUE %
 CALIFORNIA SEASONAL EFFICIENCY %
 (*uses blower motor heat)

SUPPLY AIR BLOWER PERFORMANCE

TOTAL AIR SUPPLY CFM [L/s]
 TOTAL RESISTANCE EXTERNAL TO UNIT IWG
 BLOWER SPEED RPM
 POWER OUTPUT REQUIREMENT .. BHP
 MOTOR RATING HP [W]
 POWER INPUT REQUIREMENT kW

ELECTRICAL DATA

POWER SUPPLY Hz
 TOTAL UNIT AMPACITY AMPS
 MINIMUM WIRE SIZE AWG
 MAXIMUM OVERCURRENT DEVICE FUSES/HACR BREAKER AMPS

FEATURES FOR RGGE-

- The *Comfort Control² System™* provides over 28 on-board diagnostics and fault history codes by detecting system and electrical problems. "Call for Service" alert notification is sent to the thermostat to alert the homeowner of required service.
- Serial Communication Enhanced – When installed with a Serial Communicating Condensing Unit and user interface control (RHC-TST550CMMS) 500 Series thermostat this unit offers 4 or 2 wire installation, auto-configuration, and diagnostic messaging with full communicating capability.
- Heat exchanger is constructed of all stainless steel for maximum corrosion resistance and thermal fatigue reliability.
- Modulating Function: when used with a modulating thermostat, modulation rate between 40% and 100% of total capacity.
- Two-stage Function: when used with a two-stage thermostat, furnace operates at 40% on low-fire, and stages up to 65%, then 100% for high fire.
- Multistage Function: when used with a single-stage thermostat, furnace operates at 40%, 65% and 100% of total capacity.
- Reduced firing rates, electrically efficient ECM motor, and solid doors provide the ultimate in quiet operation.
- Up to 92.3% A.F.U.E.
- Low speed constant fan.
- Constant temperature rise for superior comfort.
- Dual Seven segment LED's for system diagnostics.
- Diagnostic history for troubleshooting.
- Two-speed induced draft motor.
- Direct spark ignition with remote sense.
- Left or right side gas and electric inlet connections and condensate drainage allow quick and simple change.
- Optional indoor or outdoor combustion air.

†A.F.U.E. (Annual Fuel Utilization Efficiency) calculated in accordance with Department of Energy test procedures.

FIELD INSTALLED ACCESSORIES

- High Alt Kits (RXGY-F34, F35, F36 & F37)
 Vent Termination Kits Concentric:
 Vertical/Horizontal: RXGY-D02, RXGY-E03, RXGY-G02
 Condensate Pump Kit: RXGY-B01
 Neutralizer Kit: RXGY-A01
 Return Air Plenum (RXGR-C17B, 21B, 24B)
 External Side Filter Rack: RXGF-CC
 Communicating Modulating Furnace Thermostat:
 (-)HC-TST550CMMS.....
 Alternate (Left Side) Drain Kit: RXGY-H01

FILTER RACK FILTER SIZES* INCHES [mm]

MODEL RGGE-	RXGF-CC(BOTTOM)
06	(2) 12 x 20 [305 x 508]
07	(2) 12 x 20 [305 x 508]
09	(2) 12 x 20 [305 x 508]
10	(2) 12 x 20 [305 x 508]
12	(2) 14 x 20 [356 x 508]

*Filter racks are shipped without filters.
 Filters shipped with furnace may be used or a suitable 1" [25.4 mm] filter.

[] Designates Metric Conversions



DOWNFLOW MODELS

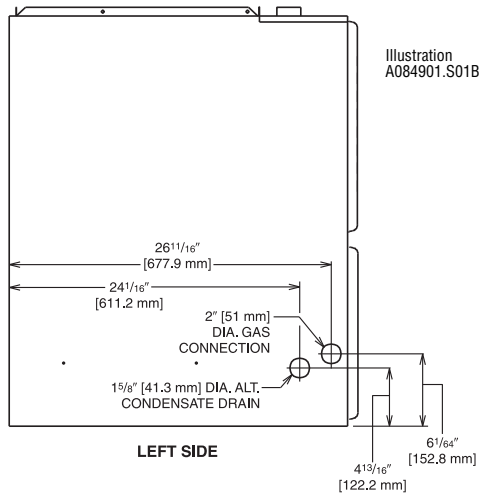


Illustration
A084901.S01B

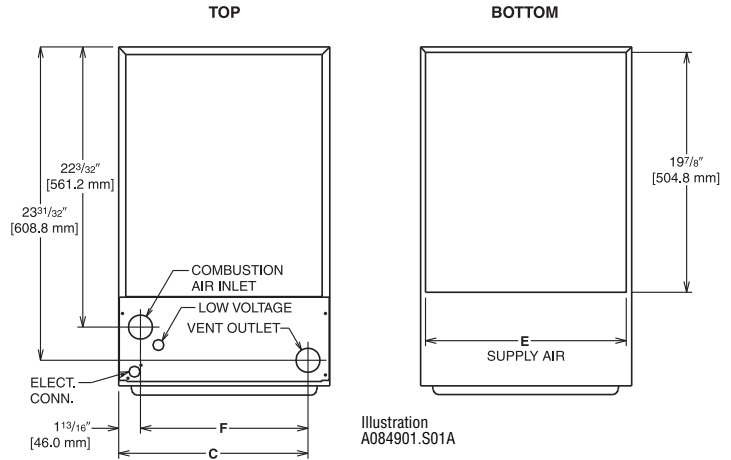


Illustration
A084901.S01A

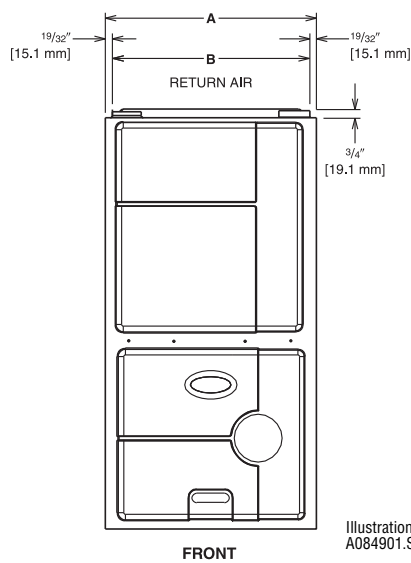


Illustration
A084901.S01C

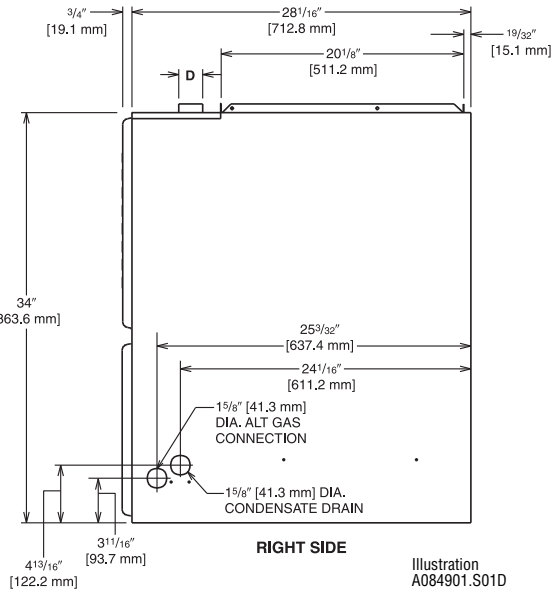


Illustration
A084901.S01D

MODEL RGGE-	A	B	C	D	E	F	LEFT SIDE	MINIMUM CLEARANCE (IN.) [mm]					SHIP. WTGS. (LBS.) (kg)
								RIGHT SIDE	BACK	TOP	FRONT	VENT	
06	17 1/2 [445]	16 11/32 [415]	15 5/8 [397]	2 [51]	16 5/8 [422]	13 7/8 [352]	0	0	0	1 [25]	2 [51]	0	117 [53]
07	17 1/2 [445]	16 11/32 [415]	15 5/8 [397]	2 [51]	16 5/8 [422]	13 7/8 [352]	0	0	0	1 [25]	2 [51]	0	123 [56]
09	21 [533]	19 27/32 [504]	19 3/16 [487]	2 [51]	20 1/8 [511]	17 3/8 [441]	0	0	0	1 [25]	2 [51]	0	148 [67]
10	21 [533]	19 27/32 [504]	19 3/16 [487]	2 [51]	20 1/8 [511]	17 3/8 [441]	0	0	0	1 [25]	2 [51]	0	152 [69]
12	24 1/2 [622]	23 11/32 [594]	22 5/8 [575]	2 [51]	23 5/8 [600]	20 7/8 [530]	0	0	0	1 [25]	2 [51]	0	160 [73]

[] Designates Metric Conversions

Before proceeding with installation, refer to installation instructions packaged with each model, as well as complying with all Federal, State, Provincial, and Local codes, regulations, and practices.

Rheem Sales Company, Inc.
P.O. Box 17010, Fort Smith, AR 72917

"In keeping with its policy of continuous progress and product improvement, Rheem reserves the right to make changes without notice."