



SUBMITTAL COVER SHEET

PROJECT NAME _____

LOCATION _____

ARCHITECT _____

ENGINEER _____

CONTRACTOR _____

SUBMITTED BY _____ DATE _____

UNIT SUMMARY

Quantity						
Unit Designation						
Model No.						
Total Cooling						
Sensible Cooling						
Air Ent. Evaporator						
Air Lvg. Evaporator						
Heating Input						
Heating Output						
CFM/ESP						
EER/SEER						
Electrical						
Minimum Ampacity						
Min.-Max. Breaker						
Net Unit Weight						
Accessory						
Catalog Form Number						

ACCESSORIES:

NOTES:

SUBMITTAL SHEET FOR RGPT- 80% A.F.U.E. UPFLOW/HORIZONTAL GAS FURNACES w/ECM MOTORS

Models with Input Rates from 50,000 to 125,000 BTU/HR [15 to 37 kW]

JOB NAME _____ MODEL NO. _____
 CONTRACTOR _____ OUTDOOR UNIT MODEL NO. _____
 ENGINEER _____ LOCATION _____
 SUBMITTED FOR APPROVAL RECORD ORDER NO. _____
 DATE _____

FEATURES FOR RGPT-

- Innovative combustion design results in reliable, efficient operation at sound levels which provide distinct competitive advantage.
- Patented Heat Exchanger, constructed of both stainless and aluminized steel for the maximum in corrosion resistance.
- Low profile "34 inch" design is lighter and easier to handle, and leaves room for optional equipment.
- Convertible from upflow to horizontal left or right without field conversion.
- Left or right side gas and electric inlet connections with quick, simple change.
- Robust and reliable direct spark ignition utilizing remote sense and an integrated board with humidifier and electronic air cleaner hookups.
- Insulated blower compartment helps to reduce jacket loss and noise.
- Pre-paint galvanized steel cabinet.
- Molded permanent filter.
- Grab-holes in doors to aid in easy door removal and replacement.
- ECM X-13 Blower Motor.

A variety of cooling coils and plenums designed to use with *Super Quiet 80™* gas furnaces are available as optional accessories.

These furnaces can be installed in an upflow position or laid on either side in a horizontal position. Field conversion not required.

†A.F.U.E. (Annual Fuel Utilization Efficiency) calculated in accordance with Department of Energy test procedures.

FIELD INSTALLED ACCESSORIES:

- Fossil Fuel Kit: RXPF-F01 and F02
 External Bottom Filter Rack: RXGF-CB
 External Side Return Filter Rack: RXGF-CA.....
 Return Air Cabinets: RXGR-CB.....
 Solid Bottom Kit: (RXGB-D14, 17, 21, 24)

UNIT DATA

HEATING PERFORMANCE

TOTAL CAPACITY INPUT* MBH [kW]
 TOTAL CAPACITY OUTPUT* .. MBH [kW]
 DESIGN TEMP. RISE °F [°C] DB
 AFUE %
 CALIFORNIA SEASONAL EFFICIENCY %
(*uses blower motor heat)

SUPPLY AIR BLOWER PERFORMANCE

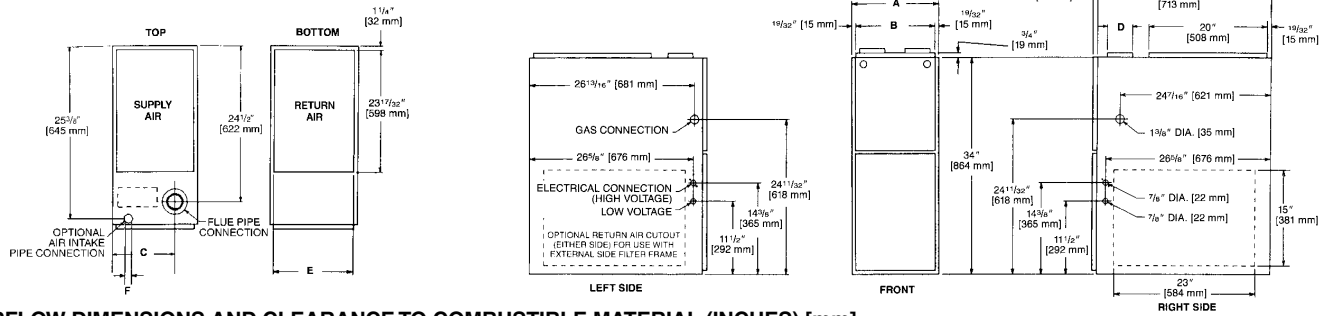
TOTAL AIR SUPPLY CFM [L/s]
 TOTAL RESISTANCE EXTERNAL TO UNIT IWG
 BLOWER SPEED RPM
 POWER OUTPUT REQUIREMENT .. BHP
 MOTOR RATING HP [W]
 POWER INPUT REQUIREMENT kW

ELECTRICAL DATA

POWER SUPPLY Hz
 TOTAL UNIT AMPACITY..... AMPS
 MINIMUM WIRE SIZE AWG
 MAXIMUM OVERCURRENT DEVICE FUSES/HACR BREAKER AMPS



UPFLOW MODELS



UPFLOW DIMENSIONS AND CLEARANCE TO COMBUSTIBLE MATERIAL (INCHES) [mm]

MODEL RGPT-	A	B	C	D	E	F	REDUCED CLEARANCES (IN.) [mm]						SHIP. WGT. (LBS.) [kg]
							LEFT SIDE	RIGHT SIDE	BACK	TOP	FRONT	VENT	
05	17 1/2 [445]	16 11/32 [415]	12 9/8 [314]	① 15 [381]	2 1/2 [64]	2 1/2 [64]	0	3 [76] ②	0	1 [25]	3 [76]	6 [152] ③	120 [54.4]
07(A)	17 1/2 [445]	16 11/32 [415]	12 9/8 [314]	① 15 [381]	2 1/2 [64]	2 1/2 [64]	0	3 [76] ②	0	1 [25]	3 [76]	6 [152] ③	120 [54.4]
07(B)	21 [533]	19 27/32 [504]	14 1/8 [359]	① 18 1/2 [470]	2 1/2 [64]	2 1/2 [64]	0	0	0	1 [25]	3 [76]	6 [152] ③	120 [54.4]
10	21 [533]	19 27/32 [504]	14 1/8 [359]	① 18 1/2 [470]	2 1/2 [64]	2 1/2 [64]	0	0	0	1 [25]	3 [76]	6 [152] ③	120 [54.4]
12	24 1/2 [622]	23 11/32 [593]	15 7/8 [403]	① 22 [559]	2 1/2 [64]	2 1/2 [64]	0	0	0	1 [25]	3 [76]	6 [152] ③	140 [63.5]

NOTES: ① May require a 3" [76 mm] to 4" [102 mm] or 3" [76 mm] to 5" [127 mm] adapter.

② May be 0" [0 mm] with type B vent.

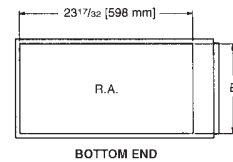
③ May be 1" [25 mm] with type B vent.

Furnaces must be vented in accordance with the National Fuel Gas Code, ANSI Z223.1 and/or Can/CGA-B149 Installation Codes and in accordance with local codes.

HORIZONTAL MODELS

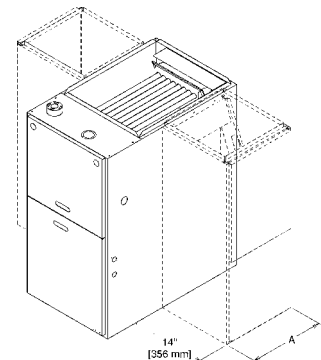
WARNING

THIS FURNACE IS NOT APPROVED
OR RECOMMENDED FOR INSTALLATION
ON ITS BACK, WITH ACCESS DOORS
FACING UPWARDS.

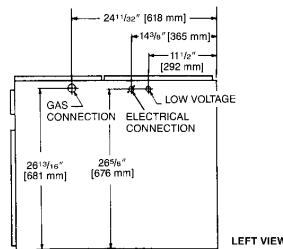
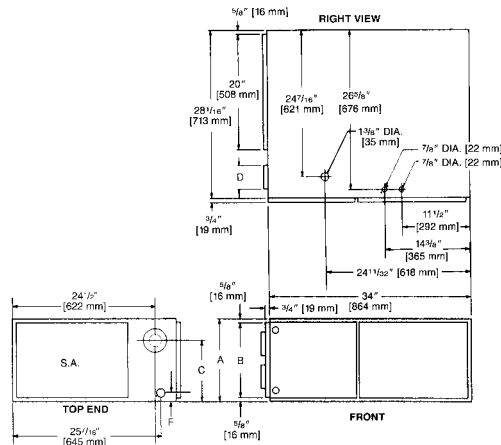


ACCESSORY RETURN AIR CABINETS

Return Air Cabinets may be installed on either side application except RXGR-C24B (side application must be on side opposite gas and electrical connections).



THE RXGR-C24B MAY ONLY BE INSTALLED
ON THE SIDE OPPOSITE THE GAS AND
ELECTRICAL CONNECTIONS.



HORIZONTAL DIMENSIONS AND CLEARANCE TO COMBUSTIBLE MATERIAL (INCHES) [mm]

MODEL RGPT-	A	B	C	D	E	F	REDUCED CLEARANCES (IN.) [mm]						SHIP. WGT. (LBS.) [kg]
							LEFT SIDE	RIGHT SIDE	BACK	TOP	FRONT	VENT	
05	17 1/2 [445]	16 11/32 [415]	12 9/8 [314]	① 15 [381]	2 1/2 [63]	2 1/2 [63]	0	3 [76] ②	0	1 [25]	3 [76]	6 [152] ③	120 [54.4]
07 (A)	17 1/2 [445]	16 11/32 [415]	12 9/8 [314]	① 15 [381]	2 1/2 [63]	2 1/2 [63]	0	3 [76] ②	0	1 [25]	3 [76]	6 [152] ③	120 [54.4]
07 (B)	21 [533]	19 27/32 [504]	14 1/8 [359]	① 18 1/2 [470]	2 1/2 [63]	2 1/2 [63]	0	0	0	1 [25]	3 [76]	6 [152] ③	120 [54.4]
10	21 [533]	19 27/32 [504]	14 1/8 [359]	① 18 1/2 [470]	2 1/2 [63]	2 1/2 [63]	0	0	0	1 [25]	3 [76]	6 [152] ③	120 [54.4]
12	24 1/2 [622]	23 11/32 [593]	15 7/8 [403]	① 22 [559]	2 1/2 [63]	2 1/2 [63]	0	0	0	1 [25]	3 [76]	6 [152] ③	140 [63.5]

NOTES: ① May require a 3" [76 mm] to 4" [102 mm] or 3" [76 mm] to 5" [127 mm] adapter.

② May be 0" [0 mm] with type B vent.

③ May be 1" [25 mm] with type B vent.

Furnaces must be vented in accordance with the National Fuel Gas Code, ANSI Z223.1 and/or Can/CGA-B149 Installation Codes and in accordance with local codes.

[] Designates Metric Conversions

Before proceeding with installation, refer to installation instructions packaged with each model, as well as complying with all Federal, State, Provincial, and Local codes, regulations, and practices.

Rheem Sales Company, Inc.
P.O. Box 17010, Fort Smith, AR 72917

"In keeping with its policy of continuous progress and product improvement, Rheem reserves the right to make changes without notice."