



The new degree of comfort.™

# SUBMITTAL COVER SHEET

PROJECT NAME \_\_\_\_\_

LOCATION \_\_\_\_\_

ARCHITECT \_\_\_\_\_

ENGINEER \_\_\_\_\_

CONTRACTOR \_\_\_\_\_

SUBMITTED BY \_\_\_\_\_ DATE \_\_\_\_\_

## UNIT SUMMARY

Quantity						
Unit Designation						
Model No.						
Total Cooling						
Sensible Cooling						
Air Ent. Evaporator						
Air Lvg. Evaporator						
Heating Input						
Heating Output						
CFM/ESP						
EER/SEER						
Electrical						
Minimum Ampacity						
Min.-Max. Breaker						
Net Unit Weight						
Accessory						
Catalog Form Number						

**ACCESSORIES:**

**NOTES:**



# TWO-STAGE DOWNFLOW/HORIZONTAL GAS FURNACES: RGTM- Series 95% A.F.U.E. Models with Input Rates of 60, 75, 90 & 105 kBTU [17.58, 22, 26.38 & 30.77 kW]

JOB NAME \_\_\_\_\_ MODEL NO. \_\_\_\_\_  
 CONTRACTOR \_\_\_\_\_ OUTDOOR UNIT MODEL NO. \_\_\_\_\_  
 ENGINEER \_\_\_\_\_ LOCATION \_\_\_\_\_  
 SUBMITTED FOR  APPROVAL  RECORD ORDER NO. \_\_\_\_\_  
 DATE \_\_\_\_\_

### UNIT DATA

#### HEATING PERFORMANCE

TOTAL CAPACITY INPUT\* ..... MBH [kW]  
 TOTAL CAPACITY OUTPUT\* .. MBH [kW]  
 DESIGN TEMP. RISE ..... °F [°C] DB  
 AFUE ..... %  
 CALIFORNIA SEASONAL EFFICIENCY ..... %  
 (\*uses blower motor heat)

#### SUPPLY AIR BLOWER PERFORMANCE

TOTAL AIR SUPPLY ..... CFM [L/s]  
 TOTAL RESISTANCE EXTERNAL TO UNIT ..... IWG  
 BLOWER SPEED ..... RPM  
 POWER OUTPUT REQUIREMENT .. BHP  
 MOTOR RATING ..... HP [W]  
 POWER INPUT REQUIREMENT ..... kW

#### ELECTRICAL DATA

POWER SUPPLY ..... Hz  
 TOTAL UNIT AMPACITY ..... AMPS  
 MINIMUM WIRE SIZE ..... AWG  
 MAXIMUM OVERCURRENT DEVICE FUSES/HACR BREAKER ..... AMPS

### FEATURES FOR RGTM-

- Two stages of operation to save energy and maintain optimal comfort level.
- Furnace operates at 70% capacity for low-heat and 100% capacity for high-heat.
- Compatible with single or two-stage thermostat. (For optimal performance a two-stage thermostat is recommended.)
- Heat exchanger is constructed of all stainless steel for maximum corrosion resistance and thermal fatigue reliability.
- Low profile "34 inch" design is lighter and easier to handle and leaves room for optional accessories.
- Left or right side gas, electric, and condensate drainage connections.
- Integrated control board manages all operational functions and provides hookups for humidifier and electronic air cleaner.
- An insulated blower compartment, a slow-opening gas valve and a specially designed inducer system make it one of the quietest furnaces on the market today.
- Variable speed blower motor technology provides ultimate humidity control, quieter sound levels and year-round energy savings.
- Optional indoor or outdoor combustion air. In addition, combustion air may be piped to either the top or side of the cabinet on all downflow models. A special molded fitting is provided to ease installation.
- Control fuse protection.
- Solid bottom is standard.
- Control board diagnostics.

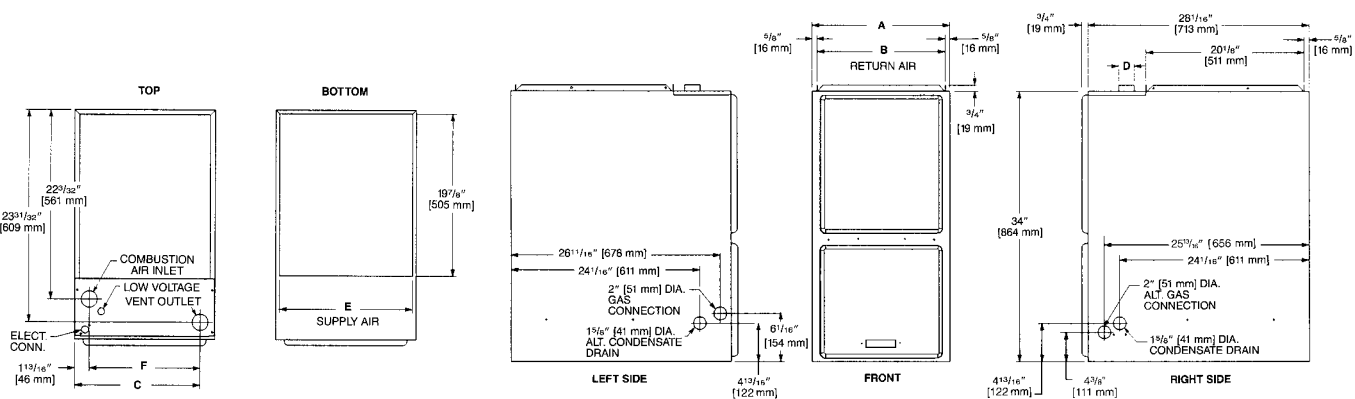
### FIELD INSTALLED ACCESSORIES

- Plenum Adapter (RXAA-) .....   
 Vent Termination Kits Concentric:  
     Vertical/Horizontal: RXGY-E03A .....   
     Horizontal Two Pipe: RXGY-D02, RXGY-D03, BXGY-D04 .....   
 Condensate Pump Kit: RXGY-B01 .....   
 Neutralizer Kit: RXGY-A01 .....   
 Fossil Fuel Kit: RXPF-F01 and F02 .....   
 Return Air Plenum (RXGR-C17B, 21B, 24B) .....   
 External Bottom Filter Rack: RXGF-CB .....   
 External Side Filter Rack: RXGF-CA (Side) RXGF-CB (Bottom) .....

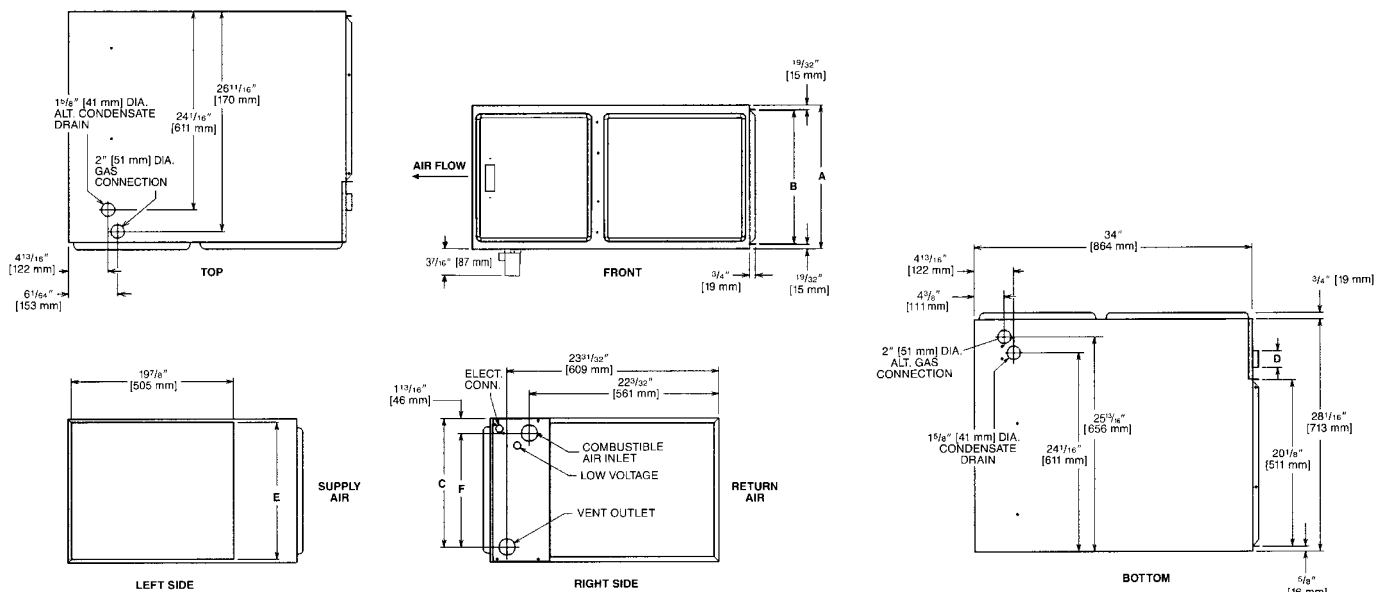


*"Proper sizing and installation of equipment is critical to achieve optimal performance. Split system air conditioners and heat pumps must be matched with appropriate coil components to meet ENERGY STAR criteria. Ask your Contractor for details or visit [www.energystar.gov](http://www.energystar.gov)."*

## DOWNFLOW MODELS



## HORIZONTAL MODELS



MODEL RGTM-	A	B	C	D	E	F	LEFT SIDE	MINIMUM CLEARANCE (IN.) [mm]					SHIP WGTS. [kg]
								RIGHT SIDE	BACK	TOP	FRONT	VENT	
06	17 <sup>1</sup> / <sub>2</sub> [445]	16 <sup>11</sup> / <sub>32</sub> [415]	15 <sup>5</sup> / <sub>8</sub> [397]	2 [51]	16 <sup>5</sup> / <sub>8</sub> [422]	13 <sup>7</sup> / <sub>8</sub> [352]	0	0	0	1 [25]	2 [51]	0	123 [56]
07	21 [533]	19 <sup>27</sup> / <sub>32</sub> [504]	19 <sup>3</sup> / <sub>16</sub> [486]	2 [51]	20 <sup>1</sup> / <sub>8</sub> [511]	17 <sup>3</sup> / <sub>8</sub> [441]	0	0	0	1 [25]	2 [51]	0	123 [56]
09	21 [533]	19 <sup>27</sup> / <sub>32</sub> [504]	19 <sup>3</sup> / <sub>16</sub> [486]	2 [51]	20 <sup>1</sup> / <sub>8</sub> [511]	17 <sup>3</sup> / <sub>8</sub> [441]	0	0	0	1 [25]	2 [51]	0	148 [67]
10	24 <sup>1</sup> / <sub>2</sub> [621]	23 <sup>11</sup> / <sub>32</sub> [593]	22 <sup>5</sup> / <sub>8</sub> [575]	2 [51]	23 <sup>5</sup> / <sub>8</sub> [600]	20 <sup>7</sup> / <sub>8</sub> [530]	0	0	0	1 [25]	2 [51]	0	165 [75]

[ ] Designates Metric Conversions

**IMPORTANT NOTE:** Horizontal furnace may be installed for horizontal left hand air supply ONLY. The condensate trap provided for horizontal application must be installed in the field beneath the unit as directed in the furnace Installation & Operating Instructions.

Before proceeding with installation, refer to installation instructions packaged with each model, as well as complying with all Federal, State, Provincial, and Local codes, regulations, and practices.

Rheem Sales Company, Inc.  
P.O. Box 17010, Fort Smith, AR 72917

"In keeping with its policy of continuous progress and product improvement, Manufacturer reserves the right to make changes without notice."