

SUBMITTAL SHEET FOR RGTS 90% A.F.U.E. OR ABOVE DOWNFLOW/HORIZONTAL GAS FURNACES

**Models with Input Rates from 45,000 to 120,000 BTU/HR
[13.19 to 35.17 kW]**

JOB NAME _____ MODEL NO. _____
 CONTRACTOR _____ OUTDOOR UNIT MODEL NO. _____
 ENGINEER _____ LOCATION _____
 SUBMITTED FOR APPROVAL RECORD ORDER NO. _____
 DATE _____

UNIT DATA

HEATING PERFORMANCE

TOTAL CAPACITY INPUT* MBH [kW]
 TOTAL CAPACITY OUTPUT* .. MBH [kW]
 DESIGN TEMP. RISE °F [°C] DB
 AFUE %
 CALIFORNIA SEASONAL
 EFFICIENCY %
(*uses blower motor heat)

SUPPLY AIR BLOWER PERFORMANCE

TOTAL AIR SUPPLY CFM [L/s]
 TOTAL RESISTANCE EXTERNAL
 TO UNIT IWG
 BLOWER SPEED RPM
 POWER OUTPUT REQUIREMENT .. BHP
 MOTOR RATING HP [W]
 POWER INPUT REQUIREMENT kW

ELECTRICAL DATA

POWER SUPPLY Hz
 TOTAL UNIT AMPACITY AMPS
 MINIMUM WIRE SIZE AWG
 MAXIMUM OVERCURRENT DEVICE
 FUSES/HACR BREAKER AMPS

FEATURES

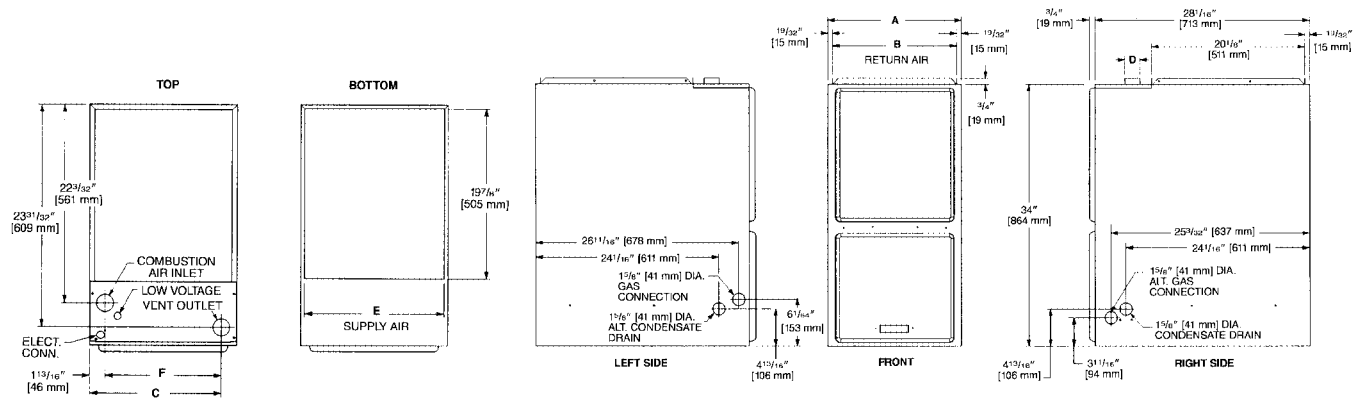
- Low profile “34 inch” design is lighter and easier to handle and leaves room for optional accessories.
- Top electrical connections, left or right gas and condensate drainage connections on downflow models.
- Integrated control board manages all operational functions and provides hookups for an electronic air cleaner.
- A slow-opening gas valve and a specially designed inducer system make it one of the quietest furnaces on the market today.
- Galvanized steel cabinet.
- Optional indoor or outdoor combustion air.
- Control board diagnostics.

FIELD INSTALLED ACCESSORIES

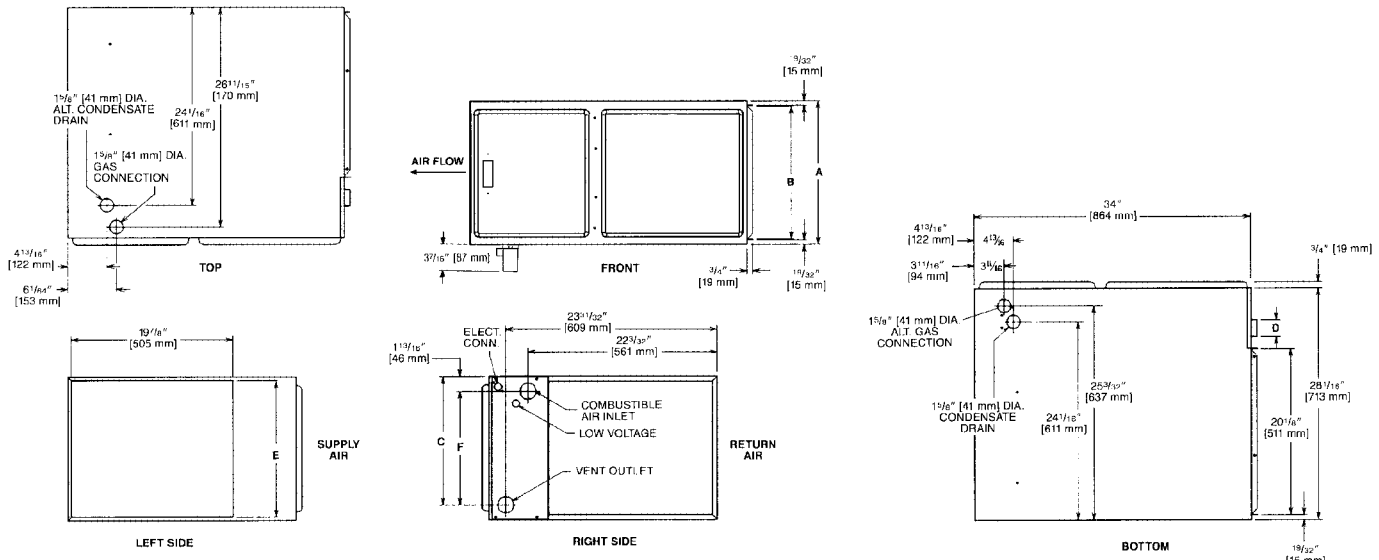
- Plenum Adapter (RXAA-)
- Vent Termination Kits Concentric:
 Horizontal/Vertical = RXGY-E03
 Horizontal Two Pipe: RXGY-D02, D03 and D04
- Condensate Pump Kit: RXGY-B01
 Neutralizer Kit: RXGY-A01
- Fossil Fuel Kit: RXPF-F01 and F02
 Combustible Floor Base: RXGC-B17, B21 and B24
 External Top Mount Filter Rack: RXGF-CC
 Internal Filter Rack for Air Return Duct: RXGF-DB
 High Altitude Kit: (RXGY-F04, 05, 06, 07)
 Twinning Kit: (RXGP-F03)



DOWNFLOW MODELS



HORIZONTAL MODELS



TONS	MODEL RGTS	A	B	C	D	E	F	LEFT SIDE	MINIMUM CLEARANCE (IN.) [mm]					SHIP WGTs. (kg)
									RIGHT SIDE	BACK	TOP	FRONT	VENT	
2	04	17 ¹ / ₂ [445]	16 ¹¹ / ₃₂ [415]	15 ⁵ / ₈ [397]	2 [51]	16 ⁵ / ₈ [422]	13 ⁷ / ₈ [352]	0	0	0	1 [25]	2 [51]	0	111 [50]
2 ¹ / ₂	06	17 ¹ / ₂ [445]	16 ¹¹ / ₃₂ [415]	15 ⁵ / ₈ [397]	2 [51]	16 ⁵ / ₈ [422]	13 ⁷ / ₈ [352]	0	0	0	1 [25]	2 [51]	0	117 [53]
3	07EE	17 ¹ / ₂ [445]	16 ¹¹ / ₃₂ [415]	15 ⁵ / ₈ [397]	2 [51]	16 ⁵ / ₈ [422]	13 ⁷ / ₈ [352]	0	0	0	1 [25]	2 [51]	0	123 [56]
4	07EF	21 [533]	19 ²⁷ / ₃₂ [504]	19 ³ / ₁₆ [486]	2 [51]	20 ¹ / ₈ [511]	17 ³ / ₈ [441]	0	0	0	1 [25]	2 [51]	0	123 [56]
4 & 4 ¹ / ₂	09	21 [533]	19 ²⁷ / ₃₂ [504]	19 ³ / ₁₆ [486]	2 [51]	20 ¹ / ₈ [511]	17 ³ / ₈ [441]	0	0	0	1 [25]	2 [51]	0	148 [67]
4 ¹ / ₂	10	21 [533]	19 ²⁷ / ₃₂ [504]	19 ³ / ₁₆ [486]	2 [51]	20 ¹ / ₈ [511]	17 ³ / ₈ [441]	0	0	0	1 [25]	2 [51]	0	152 [69]
5	12	24 ¹ / ₂ [622]	23 ¹¹ / ₃₂ [593]	22 ⁵ / ₈ [575]	2 [51]	23 ⁵ / ₈ [600]	20 ⁷ / ₈ [530]	0	0	0	1 [25]	2 [51]	0	160 [73]

IMPORTANT NOTE: Horizontal furnace may be installed for horizontal left hand air supply ONLY. The condensate trap provided for horizontal application must be installed in the field beneath the unit as directed in the furnace Installation & Operating Instructions.

[] Designates Metric Conversions

Before proceeding with installation, refer to installation instructions packaged with each model, as well as complying with all Federal, State, Provincial, and Local codes, regulations, and practices.

"In keeping with its policy of continuous progress and product improvement, Manufacturer reserves the right to make changes without notice."