



The new degree of comfort.™

Rheem Air Handler

RHBL- Series

X-13 (ECM) Motor

Efficiencies up to 16 SEER

RHAL- Series

PSC Motor

Efficiencies up to 14.5 SEER



- Front or Bottom Return
- Flow Check Piston for cooling or heat pump operation
- Wall-hanging brackets
- Built in Filter Rack
- Suitable for R-410A or R-22 Refrigerants (RHAL Only)
- AHRI Certified
- UL Certified
- Molex Plug Connections for field installed heater kits

- Dual Voltage Direct Drive Blower with multi-speed motor
- Thermoplastic Drain Pan with bottom primary and secondary connections
- Optional Decorative Grill for front return applications
- Optional Factory Installed Condensate Float Switch which shuts off the outdoor unit in event the condensate pan becomes clogged

TABLE OF CONTENTS

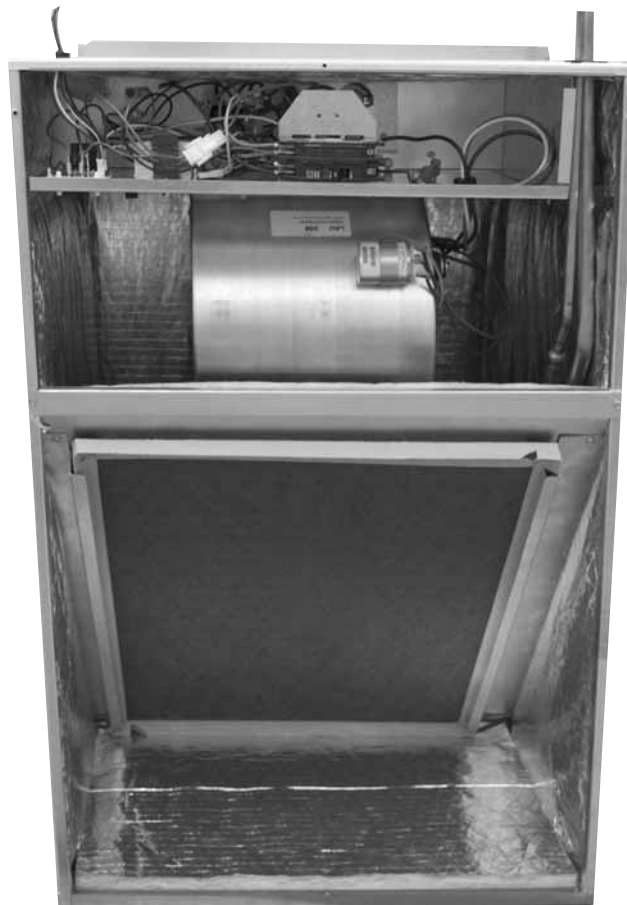
| | |
|-----------------------------------|-----|
| Engineering Features | 3 |
| Model Number Identification | 4 |
| Dimensional Data | 5-6 |
| Airflow Performance Data | 7-9 |
| Piston Sizing Chart..... | 10 |
| Electrical Data | 11 |
| Accessories | 12 |
| Limited Warranty | 13 |

Engineering Features

RHBL/RHAL- Series

- The most compact unit design available, all standard heat air handler models only 36" [915 mm].
- Rugged wall steel cabinet construction, designed for added strength and versatility.
- 1.0" foil faced insulation for excellent thermal and sound performance.
- Four leg blower motor mount.
- Traditional open wire element design for heat applications.
- Indoor coil design provides low air side pressure drop, high performance and extremely compact size.
- Coils are constructed of aluminum fins and internally grooved copper tubing.
- Molded polymer corrosion resistant condensate drain pan is provided for all indoor coils.
- Connection point for high voltage wiring is inside the air handler cabinet. Low voltage connection is made on the outside of the air handler cabinet.
- Concentric knockouts are provided for power connection to cabinet. Installer may pull desired hole size up to 1³/₈ inch inches [35 mm] for 7/₈ inch [22 mm] conduit.

[] Designates Metric Conversions

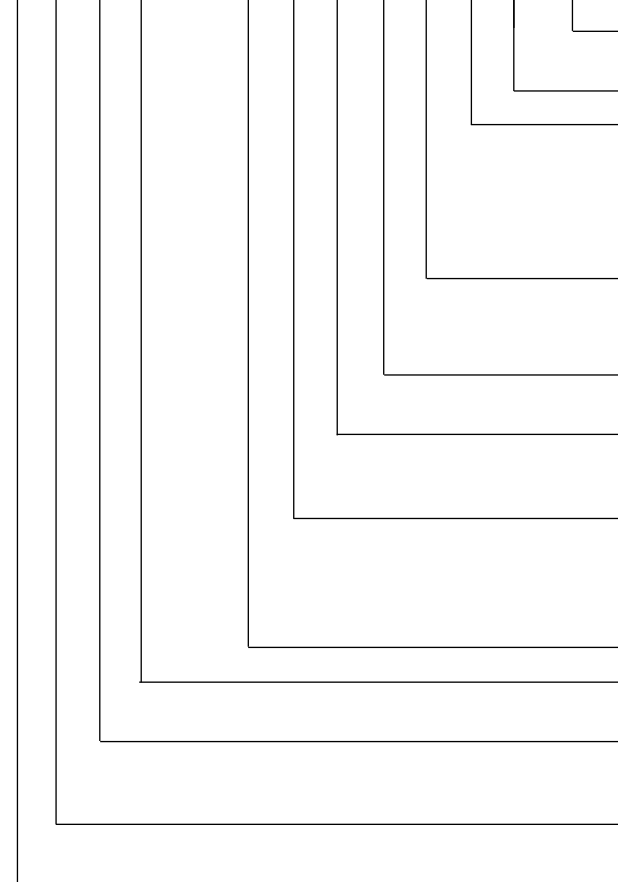




Air

Model Number Identification

R H A L - FR 24 P J N 00 A 000



Options
417 = Float Switch

Design Variation

Electric Heat
00 = NO HEAT
03 = 3 kW
05 = 5 kW
08 = 8 kW
10 = 10 kW

Disconnect Configuration
N = None
B = Breaker

Voltage
J = 208/240/1/60

Metering
P = Piston (R22 or R410A)
T = TXV (R410A)

Capacity
18 = 18,000 BTU/H [5.30 kW]
24 = 24,000 BTU/H [7.03 kW]
30 = 30,000 BTU/H [8.80 kW]
36 = 36,000 BTU/H [10.6 kW]

FR = Front Return

Refrigerant
L = 410A

Front Return/Wall Mount
A = PSC Motor – Standard Efficiency

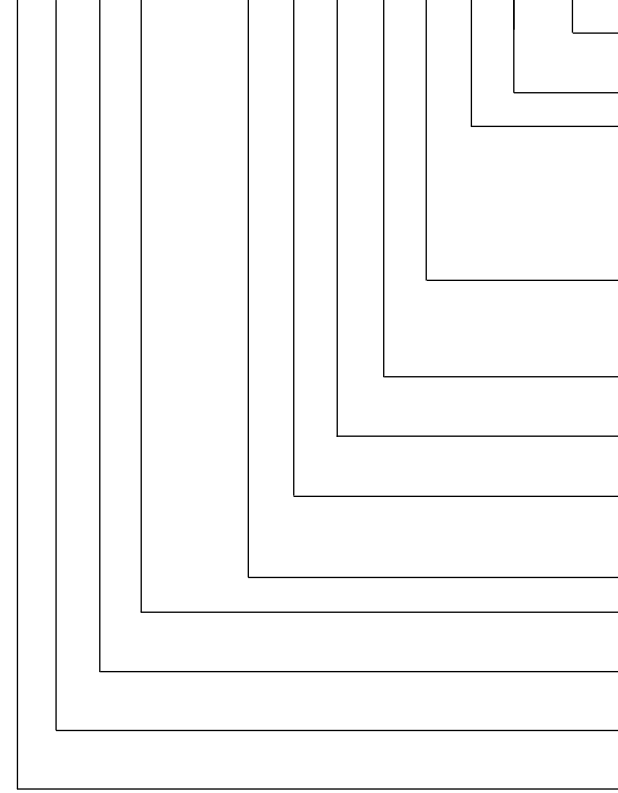
Classification
H = Air Handler

Rheem

| Available Models at J Voltage |
|-------------------------------|
| RHAL-FR18PJ |
| RHAL-FR24PJ |
| RHAL-FR30PJ |
| RHAL-FR36PJ |
| RHAL-FR36TJ |
| RHBL-FR24TJ |
| RHBL-FR36TJ |

- Supply circuit protective devices may be fuses or “HACR” type circuit breakers.
- Largest motor load is included in single circuit.
- If non-standard fuse size is specified, use the next larger fuse size.
- J Voltage (230V) single-phase air handler is designed to be used with single or three phase 230 volt power. In the case of connecting 3-phase power to the air handler terminal block, bring only two leads to the terminal block. Cap, insulate and fully secure the third lead.
- The air handlers are shipped from the factory with the proper indoor coil installed, and cannot be ordered without a coil.

R H B L - FR 24 T J N 00 A 000



Options
417 = Float Switch

Design Variation

Electric Heat
00 = NO HEAT
03 = 3 kW
05 = 5 kW
08 = 8 kW
10 = 10 kW

Disconnect Configuration
N = None
B = Breaker

Voltage
J = 208/240/1/60

Metering
T = TXV (R410A only)

Capacity
24 = 24,000 BTU/H [7.03 kW]
36 = 36,000 BTU/H [10.6 kW]

FR = Front Return

Refrigerant
L = 410A

Front Return/Wall Mount
B = X13 (ECM) Motor – High Efficiency

Classification
H = Air Handler

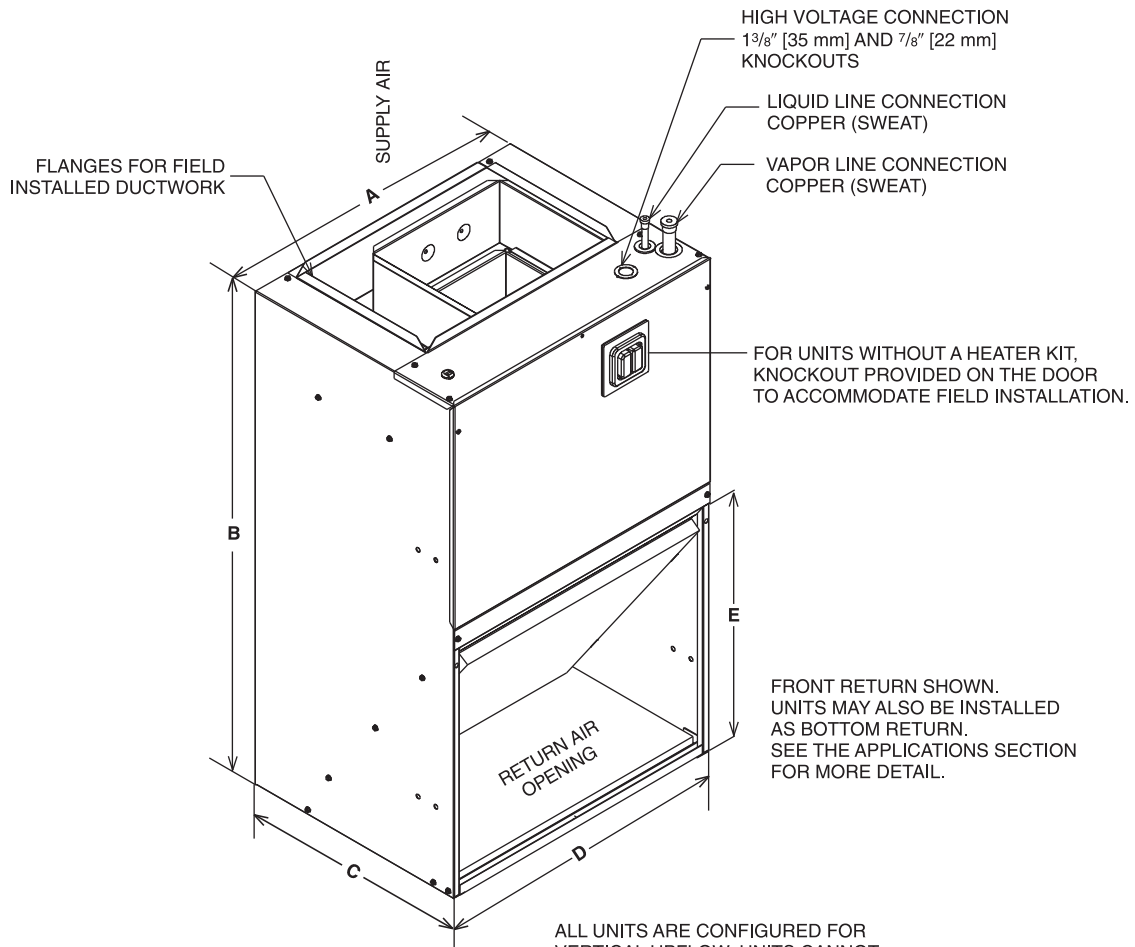
Rheem

[] Designates Metric Conversions



Unit Dimensions

NOTE: 24" [610 mm] CLEARANCE REQUIRED IN FRONT OF UNIT FOR FILTER AND COIL MAINTENANCE



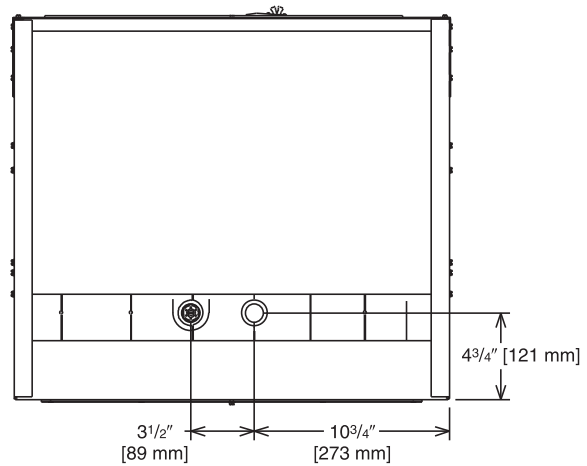
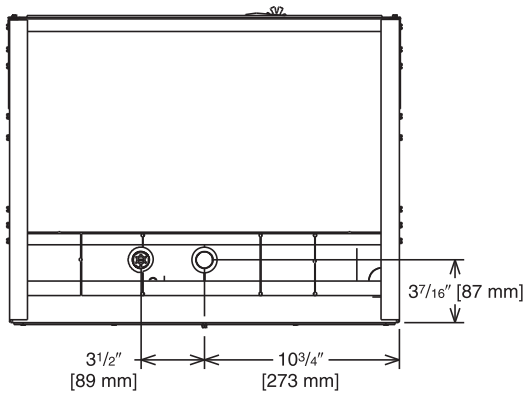
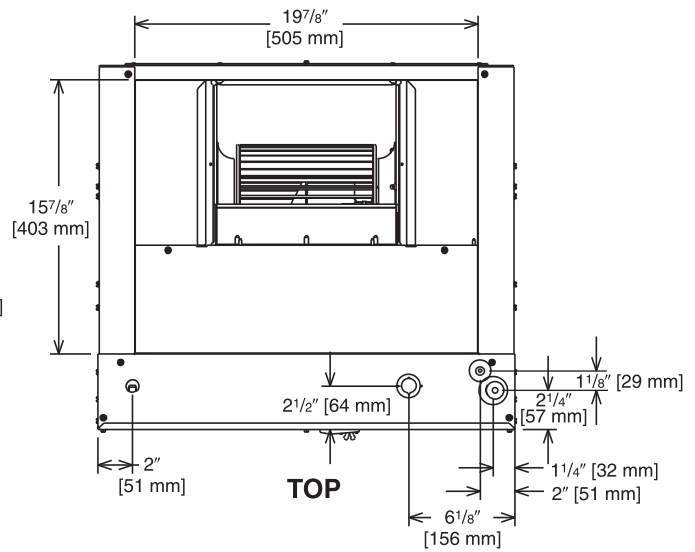
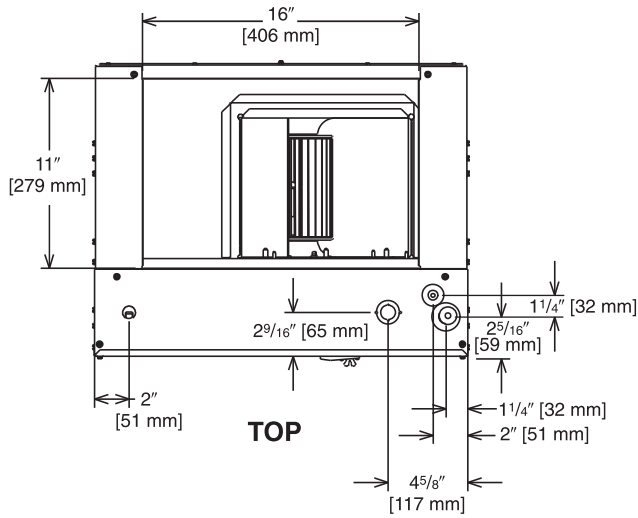
ALL UNITS ARE CONFIGURED FOR VERTICAL UPFLOW. UNITS CANNOT BE INSTALLED IN ANY OTHER CONFIGURATION.

Unit Dimensions & Weights

| Dimensional Data | | | | | | | | |
|------------------|----------------------------|-----------------------------|----------------------------|--|---|------------------------------|------------|---|
| Model | (A) Unit Width In. [mm] | (B) Unit Height In. [mm] | (C) Unit Depth In. [mm] | (D) Return Air Opening Width In. [mm] | (E) Return Air Opening Height In. [mm] | Air Flow CFM (Nom.) [L/s] | | Unit Weight/ Shipping Weight (Lbs.) [kg] |
| | | | | | | Low | High | |
| RHAL-18 | 21 1/2 [546.1] | 36 [914.4] | 17 [431.8] | 20 [508] | 177/16 [442.9] | 600 [283] | — | 80 [36] / 90 [41] |
| RHAL-24 | 21 1/2 [546.1] | 36 [914.4] | 17 [431.8] | 20 [508] | 177/16 [442.9] | 800 [378] | — | 80 [36] / 90 [41] |
| RHAL-30 | 24 [609.6] | 36 [914.4] | 21 [533.4] | 23 [584.2] | 21 3/8 [542.9] | 1000 [472] | — | 95 [43] / 105 [48] |
| RHAL-36 | 24 [609.6] | 36 [914.4] | 21 [533.4] | 23 [584.2] | 21 3/8 [542.9] | 1200 [566] | — | 95 [43] / 105 [48] |
| RHBL-24 | 21 1/2 [546.1] | 36 [914.4] | 17 [431.8] | 20 [508] | 177/16 [442.9] | 600 [283] | 800 [378] | 95 [43] / 105 [48] |
| RHBL-36 | 24 [609.6] | 36 [914.4] | 21 [533.4] | 23 [584.2] | 21 3/8 [542.9] | 1000 [472] | 1200 [566] | 95 [43] / 105 [48] |

[] Designates Metric Conversions

Unit Dimensions (con't.)



1 1/2 & 2 TON [5.28 & 7.03 kW] MODELS

2 1/2 & 3 TON [8.79 & 10.6 kW] MODELS

[] Designates Metric Conversions



Airflow Performance

Airflow performance data is based on cooling performance with a coil and filter in place. Select performance table for appropriate unit size, voltage and number of electric heaters to be used. Make sure external static applied to unit allows operation within the minimum and maximum limits shown in table

below for both cooling and electric heat operation. For optimum blower performance, operate the unit in the .3 [8 mm] to .7 inches [18 mm] W.C. external static range. Units with coils should be applied with a minimum of .1 inch [3 mm] W.C. external static range.

Airflow Operating Limits

| Cooling BTUH x 1,000 Cooling Tons Nominal | -18 1.5 | -24 2 | -30 2.5 | -36 3 |
|---|----------------|-----------------|-----------------|-----------------|
| Heat Pump or Air Conditioning Maximum Heat/Cool CFM [L/s] (37.5 CFM [18 L/s]/1,000 BTUH) (450 CFM [212 L/s]/Ton Nominal) | 675 [319] | 900 [425] | 1125 [531] | 1350 [637] |
| Heat Pump or Air Conditioning Nominal Heat/Cool CFM [L/s] (33.3 CFM [16 L/s]/1,000 BTUH) (400 CFM [189 L/s]/Ton Nominal) | 600 [283] | 800 [378] | 1000 [472] | 1200 [566] |
| Heat Pump or Air Conditioning Minimum Heat/Cool CFM [L/s] (30.0 CFM [14 L/s]/1,255 BTUH) (360 CFM [170 L/s]/Ton Nominal) | 540 [255] | 720 [340] | 900 [425] | 1080 [510] |
| Maximum kW Electric Heating & Minimum Electric Heat CFM [L/s] | 8 450 [212] | 10 690 [326] | 10 808 [381] | 10 976 [461] |
| Maximum Electric Heat Rise °F [°C] | 54 [12] | 44 [7] | 44 [7] | 44 [7] |

[] Designates Metric Conversions

208V/240V Airflow Performance Data—RHAL (PSC Motor)

| Nominal Cooling Capacity Tons | Manufacturer Recommended Air-Flow Range (Min/Max) CFM | Blower Size/ Motor HP [W] # of Speeds | Motor Speed From Factory | Motor Speed | PSC CFM wet coil with filter and heaters | | | | | | | |
|-------------------------------|---|---|--------------------------|-------------|--|------------|------------|------------|------------|-----------|-----------|-----------|
| | | | | | External Static Pressure-Inches W.C. [kPa] | | | | | | | |
| | | | | | 0.1 [.02] | 0.2 [.05] | 0.3 [.07] | 0.4 [.10] | 0.5 [.12] | 0.6 [.15] | 0.7 [.17] | |
| 1.5 | 850/450 CFM [401/212 L/s] | 10x6 1/5 HP [149] 2 Speed Dual Voltage | High | High | CFM | 850 [260] | 807 [271] | 763 [283] | 723 [283] | 644 [295] | 568 [295] | 538 [295] |
| | | | | | RPM | 948 | 970 | 989 | 1003 | 1021 | 1037 | 1046 |
| | | | | | Watts | 269 | 262 | 252 | 245 | 238 | 226 | 221 |
| | | | | Low | CFM | 642 [271] | 606 [260] | 575 [366] | 521 [366] | 450 [366] | — | — |
| | | | | | RPM | 766 | 798 | 817 | 864 | 912 | — | — |
| | | | | | Watts | 175 | 170 | 168 | 158 | 149 | — | — |
| 2 | 1016/690 CFM [479/326 L/s] | 10x6 1/5 HP [149] 2 Speed Dual Voltage | High | High | CFM | 1016 [389] | 966 [389] | 927 [389] | 885 [389] | 834 [413] | 780 [425] | 718 [425] |
| | | | | | RPM | 1083 | 1090 | 1096 | 1101 | 1109 | 1114 | 1121 |
| | | | | | Watts | 380 | 365 | 360 | 349 | 338 | 328 | 311 |
| | | | | Low | CFM | 830 [425] | 805 [425] | 772 [425] | 735 [425] | 690 [425] | — | — |
| | | | | | RPM | 932 | 950 | 974 | 994 | 1014 | — | — |
| | | | | | Watts | 270 | 262 | 253 | 244 | 235 | — | — |
| 2.5 | 1190/808 CFM [562/381 L/s] | 10x8 1/4 HP [186] 2 Speed Dual Voltage | High | High | CFM | 1190 [566] | 1116 [566] | 1058 [578] | 997 [578] | 927 [566] | 851 [566] | 762 [566] |
| | | | | | RPM | 900 | 927 | 950 | 974 | 997 | 1018 | 1038 |
| | | | | | Watts | 374 | 361 | 346 | 331 | 320 | 307 | 290 |
| | | | | Low | CFM | 1034 [566] | 983 [555] | 931 [555] | 868 [566] | 808 [578] | — | — |
| | | | | | RPM | 836 | 860 | 892 | 921 | 944 | — | — |
| | | | | | Watts | 300 | 291 | 281 | 269 | 260 | — | — |
| 3 | 1330/976 CFM [628/461 L/s] | 10x8 1/3 HP [186] 2 Speed Dual Voltage | High | High | CFM | 1330 [566] | 1262 [566] | 1184 [767] | 1066 [779] | 968 [779] | 871 [779] | — |
| | | | | | RPM | 1029 | 1047 | 1060 | 1082 | 1095 | 1104 | — |
| | | | | | Watts | 478 | 456 | 437 | 403 | 376 | 355 | — |
| | | | | Low | CFM | 1189 [791] | 1135 [779] | 1054 [779] | 976 [767] | — | — | — |
| | | | | | RPM | 958 | 984 | 1012 | 1037 | — | — | — |
| | | | | | Watts | 402 | 385 | 362 | 341 | — | — | — |

- Notes:
- All 208/240V PSC motors have voltage taps for 208 and 240 volts.
 - All 208/240V PSC motors are shipped on high speed and 240 volts.
 - If the application external static is less than 0.5" WC, adjust the motor speed to the low static speed as described below:
 - Unplug the black motor wire off the relay on the control board and plug in the red motor wire.
 - Replace the cap on the black motor wire.
 - Voltage change (208/240V motors):
 - Move the orange lead to transformer 208V tap from 240V tap. Replace the wire cap on 240V tap.
 - Unplug the purple motor wire off the transformer and plug in the yellow motor wire.
 - Replace the cap on the purple motor wire.
 - The above airflow table lists the airflow information for air handlers with maximum heater allowed for each model.

[] Designates Metric Conversions

208V/240V Airflow Performance Data—RHBL (X-13 (ECM) Motor)

| Nominal Cooling Capacity Tons | Manufacturer Recommended Air-Flow Range (Min/Max) CFM | Blower Size/ Motor HP [W] # of Speeds | Motor Speed From Factory | Motor Speed | X-13 CFM wet coil with filter and heaters | | | | | | | |
|-------------------------------|---|---|--------------------------|-------------|--|------------|------------|------------|------------|------------|------------|------------|
| | | | | | External Static Pressure-Inches W.C. [kPa] | | | | | | | |
| | | | | | 0.1 [.02] | 0.2 [.05] | 0.3 [.07] | 0.4 [.10] | 0.5 [.12] | 0.6 [.15] | 0.7 [.17] | |
| 1.5 | 827/474 CFM [390/224 L/s] | 10x6 1/3 HP [249] 2 Speed Dual Voltage | 5 | 3 | CFM | 827 [390] | 804 [379] | 779 [368] | 740 [349] | 708 [334] | 659 [311] | 608 [287] |
| | | | | | RPM | 1020 | 1035 | 1068 | 1095 | 1119 | 1138 | 1147 |
| | | | | | Watts | 198 | 207 | 206 | 204 | 211 | 205 | 189 |
| | | | 5 | 2 | CFM | 599 [283] | 578 [273] | 544 [257] | 509 [240] | 474 [224] | — | — |
| | | | | | RPM | 832 | 875 | 905 | 935 | 963 | — | — |
| | | | | | Watts | 95 | 96 | 108 | 102 | 112 | — | — |
| 2 | 977/708 CFM [461/334 L/s] | 10x6 1/3 HP [249] 2 Speed Dual Voltage | 5 | 5 | CFM | 977 [461] | 930 [439] | 898 [424] | 850 [401] | 801 [378] | 746 [352] | 687 [324] |
| | | | | | RPM | 1120 | 1132 | 1136 | 1141 | 1146 | 1153 | 1160 |
| | | | | | Watts | 294 | 271 | 266 | 257 | 239 | 231 | 214 |
| | | | 5 | 4 | CFM | 811 [383] | 785 [370] | 759 [358] | 726 [343] | 708 [334] | — | — |
| | | | | | RPM | 982 | 1008 | 1026 | 1050 | 1081 | — | — |
| | | | | | Watts | 177 | 186 | 182 | 188 | 189 | — | — |
| 2.5 | 1170/897 CFM [552/423 L/s] | 10x8 1/2 HP [373] 2 Speed Dual Voltage | 5 | 3 | CFM | 1170 [552] | 1127 [532] | 1085 [512] | 1048 [495] | 1012 [478] | 973 [459] | 943 [445] |
| | | | | | RPM | 886 | 921 | 958 | 986 | 1022 | 1053 | 1083 |
| | | | | | Watts | 267 | 275 | 287 | 290 | 301 | 305 | 315 |
| | | | 5 | 2 | CFM | 1053 [497] | 1003 [473] | 969 [457] | 928 [438] | 897 [423] | — | — |
| | | | | | RPM | 835 | 864 | 903 | 933 | 973 | — | — |
| | | | | | Watts | 212 | 216 | 227 | 232 | 242 | — | — |
| 3 | 1316/1049 CFM [621/495 L/s] | 10x8 1/2 HP [373] 2 Speed Dual Voltage | 5 | 5 | CFM | 1316 [621] | 1275 [602] | 1229 [580] | 1191 [562] | 1151 [543] | 1093 [516] | 1039 [490] |
| | | | | | RPM | 974 | 1006 | 1036 | 1063 | 1098 | 1120 | 1131 |
| | | | | | Watts | 365 | 378 | 383 | 390 | 399 | 393 | 377 |
| | | | 5 | 4 | CFM | 1208 [570] | 1172 [553] | 1125 [531] | 1087 [513] | 1049 [495] | — | — |
| | | | | | RPM | 906 | 938 | 968 | 1002 | 1030 | — | — |
| | | | | | Watts | 284 | 299 | 306 | 315 | 322 | — | — |

Notes: X-13 motor speed changes.

All X-13 motors have 5 speed taps. Speed tap 1 is for continuous fan. Speed tap 2 (low static) and speed tap 3 (high static) are for lower tonnage. Speed tap 4 (low static) and speed tap 5 (high static) are for higher tonnage.

X-13 air handlers are always shipped from factory at speed tap 5. To change to 1.5-ton or 2.5-ton airflow, move the blue wire to speed tap 2 or 3 on the X-13 motor. The low static speed tap 2 (lower tonnage) and 4 (higher tonnage) are used for external static below 0.5" WC. The high static speed tap 3 (lower tonnage) and 5 (higher tonnage) are used for external static exceeding 0.5" WC. Move the blue wire to the appropriate speed tap as required by the application needs.

- The airflow for continuous fan (speed tap 1) is 50% of the speed tap 4 airflow.
- The above airflow table lists the airflow information for air handlers with maximum heater allowed for each model.

[] Designates Metric Conversions

Piston Sizing Chart

| Indoor Unit | Factory Piston | SEER Rating OD Unit | Nominal Tons | Refrigerant | Orifice Size |
|-------------|----------------|------------------------|--------------|-------------|--------------|
| RHAL-FR18PJ | 0.047 | 13 | 1.5 | R410a | 0.047 |
| | | 14 | 1.5 | R410a | 0.049 |
| | | 13 | 1.5 | R22 | 0.049 |
| | | 12 | 1.5 | R22 | 0.051 |
| | | 10 | 1.5 | R22 | 0.053 |
| RHAL-FR24PJ | 0.053 | 13 | 2 | R410a | 0.053 |
| | | 14 | 2 | R410a | 0.057 |
| | | 13 | 2 | R22 | 0.057 |
| | | 12 | 2 | R22 | 0.061 |
| | | 10 | 2 | R22 | 0.063 |
| RHAL-FR30PJ | 0.061 | 13 | 2.5 | R410a | 0.061 |
| | | 14 | 2.5 | R410a | 0.063 |
| | | 13 | 2.5 | R22 | 0.065 |
| | | 12 | 2.5 | R22 | 0.065 |
| | | 10 | 2.5 | R22 | 0.065 |
| RHAL-FR36PJ | 0.065 | 13 | 3 | R410a | 0.065 |
| | | 14 | 3 | R410a | 0.068 |
| | | 13 | 3 | R22 | 0.069 |
| | | 12 | 3 | R22 | 0.070 |
| | | 10 | 3 | R22 | 0.070 |



RHAL/RHBL Electrical Data – Blower Motor Only – No Electric Heat

| Model/Nominal Cooling Tons | Voltage | Phase | Hertz | HP [W] | RPM | Speeds | Circuit Amps. | Minimum Circuit Ampacity | Maximum Circuit Protector |
|----------------------------|---------|-------|-------|-----------|----------|--------|---------------|--------------------------|---------------------------|
| RHAL18 | 208/230 | 1 | 60 | 1/5 [149] | 1075 | 2 | 1.5 | 3 | 15 |
| RHAL24 | 208/230 | 1 | 60 | 1/5 [149] | 1075 | 2 | 1.5 | 3 | 15 |
| RHAL30 | 208/230 | 1 | 60 | 1/4 [186] | 1075 | 2 | 2.5 | 4 | 15 |
| RHAL36 | 208/230 | 1 | 60 | 1/3 [249] | 1075 | 2 | 2.5 | 4 | 15 |
| RHBL24 | 208/230 | 1 | 60 | 1/3 [249] | 300-1100 | 4 | 1.6 | 3 | 15 |
| RHBL36 | 208/230 | 1 | 60 | 1/2 [373] | 300-1100 | 4 | 2.7 | 4 | 15 |

*Blower motors are all single phase motors.

RHAL/RHBL Electrical Data – with Electric Heat

Installation of the U.L. Listed original equipment manufacturer provided heater kits listed in the table below is recommended for all auxiliary heating requirements.

| Cooling Capacity Tons | Model No. | Heater kW (208/240V) | PH/Hz | No. Elements - kW Per | Type Supply Circuit | Circuit Amps. | Motor Ampacity | Minimum Circuit Ampacity | Maximum Circuit Protection |
|-----------------------|---------------|----------------------|-------|-----------------------|---------------------|---------------|----------------|--------------------------|----------------------------|
| RHAL 18 | RXHJ-21B/T03J | 2.25/3.0 | 1/60 | 1-3.0 | Single | 10.8/12.5 | 1.5 | 16/18 | 20/20 |
| | RXHJ-21B/T05J | 3.6/4.8 | 1/60 | 1-4.8 | Single | 17.3/20.0 | 1.5 | 24/27 | 25/30 |
| | RXHJ-21B/T08J | 5.4/7.2 | 1/60 | 2-3.6 | Single | 26.0/30.0 | 1.5 | 35/40 | 35/40 |
| RHAL/RHBL 24 | RXHJ-21B/T03J | 2.25/3.0 | 1/60 | 1-3.0 | Single | 10.8/12.5 | 1.5 | 16/18 | 20/20 |
| | RXHJ-21B/T05J | 3.6/4.8 | 1/60 | 1-4.8 | Single | 17.3/20.0 | 1.5 | 24/27 | 25/30 |
| | RXHJ-21B/T08J | 5.4/7.2 | 1/60 | 2-3.6 | Single | 26.0/30.0 | 1.5 | 35/40 | 35/40 |
| | RXHJ-21B/T10J | 7.2/9.6 | 1/60 | 2-4.8 | Single | 34.6/40.0 | 1.5 | 46/52 | 50/60 |
| RHAL 30 | RXHJ-24B/T03J | 2.25/3.0 | 1/60 | 1-3.0 | Single | 10.8/12.5 | 2.5 | 17/19 | 20/20 |
| | RXHJ-24B/T05J | 3.6/4.8 | 1/60 | 1-4.8 | Single | 17.3/20.0 | 2.5 | 25/29 | 25/30 |
| | RXHJ-24B/T08J | 5.4/7.2 | 1/60 | 2-3.6 | Single | 26.0/30.0 | 2.5 | 36/41 | 40/45 |
| | RXHJ-24B/T10J | 7.2/9.6 | 1/60 | 2-4.8 | Single | 34.6/40.0 | 2.5 | 47/54 | 50/60 |
| RHAL/RHBL 36 | RXHJ-24B/T03J | 2.25/3.0 | 1/60 | 1-3.0 | Single | 10.8/12.5 | 2.5 | 17/19 | 20/20 |
| | RXHJ-24B/T05J | 3.6/4.8 | 1/60 | 1-4.8 | Single | 17.3/20.0 | 2.5 | 25/29 | 25/30 |
| | RXHJ-24B/T08J | 5.4/7.2 | 1/60 | 2-3.6 | Single | 26.0/30.0 | 2.5 | 36/41 | 40/45 |
| | RXHJ-24B/T10J | 7.2/9.6 | 1/60 | 2-4.8 | Single | 34.6/40.0 | 2.5 | 47/54 | 50/60 |

- Electric heater BTUH - (heater watts + motor watts) x 3.414 (see airflow table for motor watts.)
- Supply circuit protective devices may be fused or "HACR" type circuit breakers.
- If non-standard fuse size is specified, use next size larger standard fuse size.
- Largest motor load is included in single circuit or circuit 1 of multiple circuits.
- No electrical heating elements are permitted to be used with A Voltage (115V) air handler.

- J voltage (230V) single phase air handler is designed to be used with single or three phase 230 volt electric heaters. In the case of connecting 3 phase power to air handler terminal block without the heater, bring only two leads to terminal block, cap, insulate and fully secure the third lead.
- Do not use 480 volts electrical heaters on 230 volts air handler.

Electrical Wiring:

Power Wiring

- Field wiring must comply with the National Electrical Code (C.E.C. in Canada) and any applicable local ordinance.
- Supply wiring must be 75°C minimum copper conductors only.
- See electrical data for product Ampacity rating and Circuit Protector requirement.

Grounding

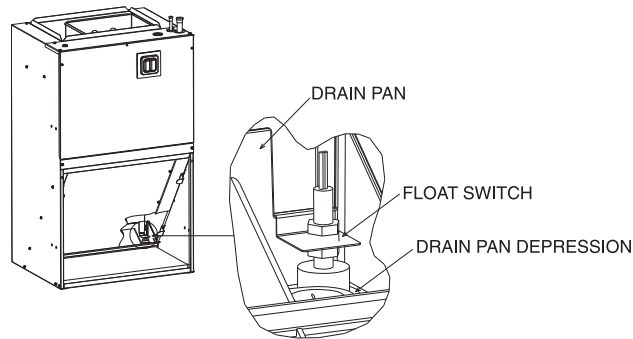
- This product must be sufficiently grounded in accordance with National Electrical Code (C.E.C. in Canada) and any applicable local ordinance.
- A grounding lug is provided.

[] Designates Metric Conversions



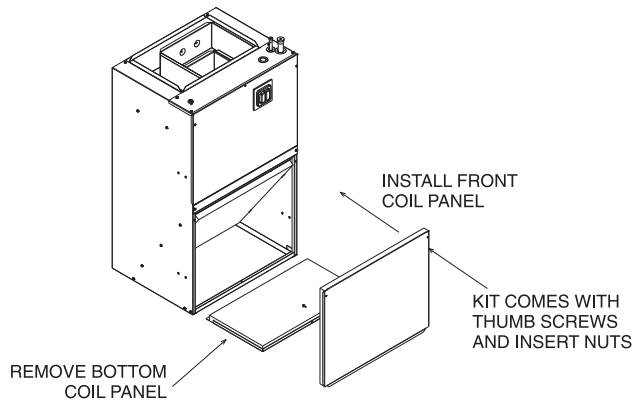
16.0 Accessories-Kits-Parts

- **Drain Pan Over Flow Switch RXHK-A01** is used to detect condensate drain blockage and will shut down the outdoor unit in order to prevent structural damage to the surrounding structures of the air handler.



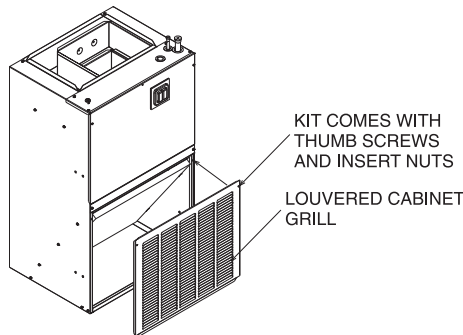
- **Bottom Return Conversion Kit RXHK-** is used to divert the return air from the factory standard front return to a bottom return.

| Accessory Number | Indoor Unit |
|------------------|-------------|
| RXHK-B01 | DHAL-FR18 |
| | DHAL-FR24 |
| | DHBL-FR24 |
| RXHK-B02 | DHAL-FR30 |
| | DHAL-FR36 |
| | DHBL-FR36 |

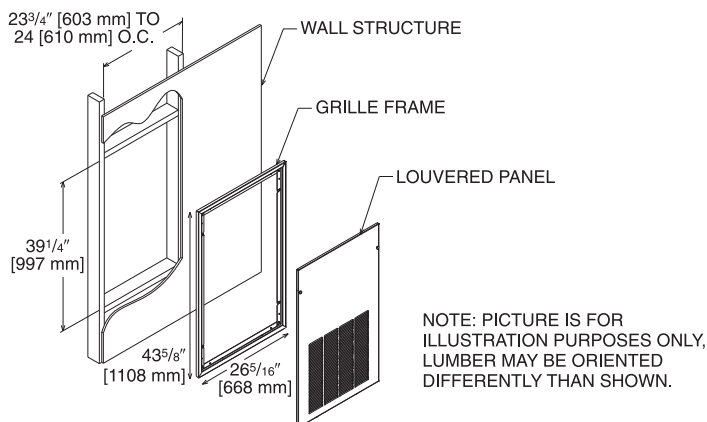


- **Louvered Cabinet Grill RXHK-** is used as decorative grill which covers the return air opening of the front return air handler.

| Accessory Number | Indoor Unit |
|------------------|-------------|
| RXHK-C01 | DHAL-FR18 |
| | DHAL-FR24 |
| | DHBL-FR24 |
| RXHK-C02 | DHAL-FR30 |
| | DHAL-FR36 |
| | DHBL-FR36 |



- **Decorative Wall Grill RXHK-D01** is used in applications where the air handler is installed in a closet or interior wall and allows adequate return air back to the unit.



[] Designates Metric Conversions

GENERAL TERMS OF LIMITED WARRANTY*

Rheem will furnish a replacement for any part of this product which fails in normal use and service within the applicable periods stated, in accordance with the terms of the limited warranty.

Conditional Parts (Registration Required)Ten (10) Years

***For complete details of the Limited and Conditional Warranties, including applicable terms and conditions, contact your local contractor or the Manufacturer for a copy of the product warranty certificate.**



The new degree of comfort.™

In keeping with its policy of continuous progress and product improvement, Rheem reserves the right to make changes without notice.

Rheem Heating, Cooling & Water Heating • P.O. Box 17010
Fort Smith, Arkansas 72917 • www.rheem.com

Rheem Canada Ltd./Ltée • 125 Edgeware Road, Unit 1
Brampton, Ontario • L6Y 0P5



INTEGRATED HOME COMFORT

PRINTED IN U.S.A 12/12 QG FORM NO. H11-545