



# SUBMITTAL COVER SHEET

PROJECT NAME \_\_\_\_\_

LOCATION \_\_\_\_\_

ARCHITECT \_\_\_\_\_

ENGINEER \_\_\_\_\_

CONTRACTOR \_\_\_\_\_

SUBMITTED BY \_\_\_\_\_ DATE \_\_\_\_\_

## UNIT SUMMARY

Quantity						
Unit Designation						
Model No.						
Total Cooling						
Sensible Cooling						
Air Ent. Evaporator						
Air Lvg. Evaporator						
Heating Input						
Heating Output						
CFM/ESP						
EER/SEER						
Electrical						
Minimum Ampacity						
Min.-Max. Breaker						
Net Unit Weight						
Accessory						
Catalog Form Number						

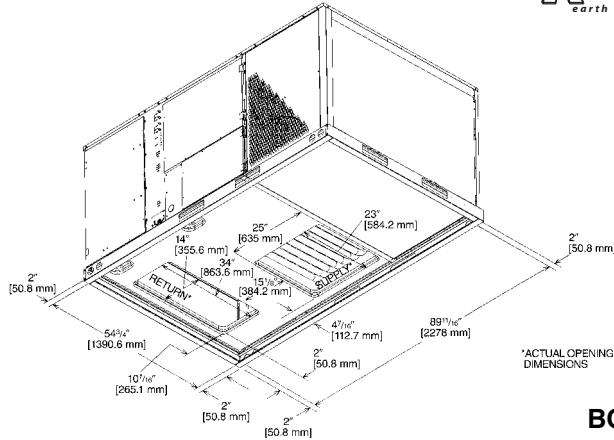
### ACCESSORIES:

### NOTES:

# SUBMITTAL SHEET FOR PACKAGE AIR CONDITIONER UNITS: RLNL-B WITH CAPACITIES FROM 6-12.5 TONS [21.1-44.0 kW]



JOB NAME \_\_\_\_\_  
 CONTRACTOR \_\_\_\_\_  
 ENGINEER \_\_\_\_\_  
 LOCATION \_\_\_\_\_  
 ORDER NO. \_\_\_\_\_  
 SUBMITTED FOR  APPROVAL  RECORD  
 SUBMITTED BY \_\_\_\_\_  
 DATE \_\_\_\_\_  
 UNIT DESIGNATION \_\_\_\_\_  
 MODEL NO. \_\_\_\_\_



**BOTTOM VIEW**

## UNIT DATA

### COOLING PERFORMANCE

TOTAL CAPACITY\* ..... MBH  
 SENSIBLE CAPACITY\* ..... MBH  
 EFFICIENCY (at ARI) ..... EER  
 PART LOAD EFFICIENCY ..... IPLV  
 AMBIENT DB TEMP ..... °F  
 ENTERING DB TEMP ..... °F  
 ENTERING WB TEMP ..... °F  
 LEAVING DB TEMP ..... °F  
 LEAVING WB TEMP ..... °F  
 TOTAL POWER INPUT ..... kW  
 ELEVATION ..... FT  
 SOUND POWER ..... DBELS

### HEATING PERFORMANCE

ELECTRIC HEAT CAPACITY ..... kW

### SUPPLY AIR BLOWER PERFORMANCE

SUPPLY AIR ..... CFM [L/s]  
 OUTSIDE AIR ..... CFM [L/s]  
 EXTERNAL STATIC PRESSURE ..... IWG  
 DUCT CONNECTION LOCATION .....  
 BLOWER SPEED ..... RPM  
 MOTOR RATING ..... HP [W]  
 BRAKE HORSEPOWER ..... BHP  
 POWER INPUT REQUIREMENT ..... kW

### ELECTRICAL DATA

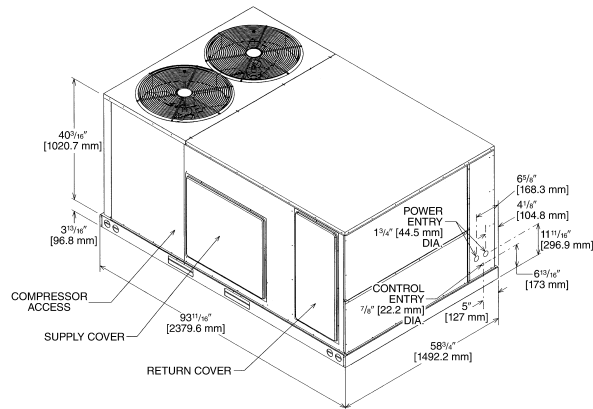
POWER SUPPLY ..... Hz  
 MINIMUM CIRCUIT AMPACITY ..... AMPS  
 MAXIMUM OVERCURRENT DEVICE  
 FUSE SIZE ..... AMPS  
 HACR CIRCUIT BREAKER ..... AMPS

### DIMENSIONS & WEIGHT

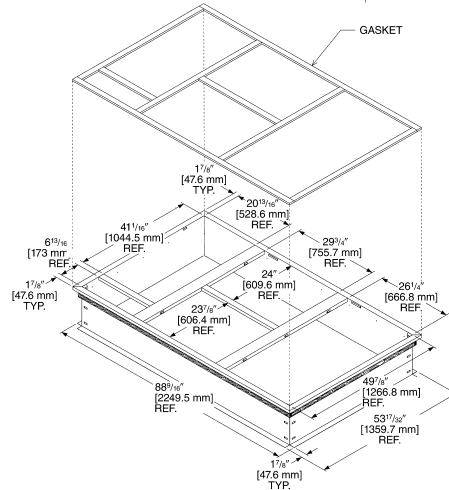
HEIGHT \_\_\_\_\_ IN WIDTH \_\_\_\_\_ IN DEPTH \_\_\_\_\_ IN  
 TOTAL WEIGHT ..... LBS [kg]  
 (including factory options)

### CLEARANCES

FRONT 48" [1219 mm] BACK 18" [457 mm]  
 BOTTOM 0" TOP 60" [1524 mm]  
 LEFT SIDE 18" [457 mm] 36" [914 mm]  
 RIGHT SIDE (condenser end) 18" [457 mm]



**ROOFCURB INSTALLATION**



**Roofcurb Includes Insulation Panels**

[ ] Designates Metric Conversions



"Proper sizing and installation of equipment is critical to achieve optimal performance. Ask your Contractor for details or visit [www.energystar.gov](http://www.energystar.gov) <<http://www.energystar.gov>>."

**FEATURES FOR PACKAGE AIR CONDITIONER  
6-12.5 TONS NOMINAL TONS [21.1-44.0 kW]**

- R-410A HFC refrigerant.
- Complete factory charged, wired and run tested.
- Scroll compressors with internal line break overload and high-pressure protection.
- Single stage compressor on B072 and B085 models.
- Dual stage compressor on B090 – B150 models.
- Convertible airflow.
- TXV refrigerant metering system on each circuit (except on B072 and B085).
- High Pressure and Low Pressure/Loss of charge protection standard on all models.
- Solid Core liquid line filter drier on each circuit.
- Single slab, single pass designed evaporator and condenser coils facilitate easy cleaning for maintained high efficiencies.
- Cooling operation up to 125 degree F ambient.
- Foil faced insulation encapsulated throughout entire unit minimizes airborne fibers from the air stream.
- Hinged major access door with heavy-duty gasketing, 1/4 turn latches and door retainers.
- Slide Out Indoor fan assembly for added service convenience.
- Powder Paint Finish meets ASTM B117 steel coated on each side for maximum protection. G90 galvanized.
- One piece top cover and one piece base pan with drawn supply and return opening for superior water management.
- Forkable base rails for easy handling and lifting.
- Single point electrical connections.
- Internally sloped slide out condensate pan conforms to ASHRAE 62 standards.
- High performance belt drive motor with variable pitch pulleys and quick adjust belt system.
- Permanently lubricated evaporator, condenser and gas heat inducer motors.
- Condenser motors are internally protected, totally enclosed with shaft down design.
- 2 inch filter standard with slide out design.
- 24 volt control system with resettable circuit breakers.
- Colored and labeled wiring.
- Copper tube/Aluminum Fin coils (12 1/2 uses micro channel condenser).
- Molded compressor plug.
- Supplemental electric heat provides 100% efficient heating.

[ ] Designates Metric Conversions

**ACCESSORIES**

- |                              |                             |                          |
|------------------------------|-----------------------------|--------------------------|
| Economizers                  | Condenser Coil Guards ..... | <input type="checkbox"/> |
| With Single Enthalpy .....   | Roofcurbs .....             | <input type="checkbox"/> |
| With Dual Enthalpy .....     | Low Ambient Control .....   | <input type="checkbox"/> |
| CO <sub>2</sub> Sensor ..... | Electric Heater Kits .....  | <input type="checkbox"/> |
| Fresh Air Dampers            | Concentric Diffuser .....   | <input type="checkbox"/> |
| Manual .....                 | Roofcurb Adapters .....     | <input type="checkbox"/> |
| Motorized .....              | High Pressure Control ..... | <input type="checkbox"/> |
|                              | Low Pressure Control .....  | <input type="checkbox"/> |

**NOTES**

**Before proceeding with installation, refer to installation instructions packaged with each model, as well as complying with all Federal, State, Provincial, and Local codes, regulations, and practices.**

Rheem Sales Company, Inc.  
P.O. Box 17010, Fort Smith, AR 72917

*"In keeping with its policy of continuous progress and product improvement, Rheem reserves the right to make changes without notice."*