



The new degree of comfort.™

# SUBMITTAL COVER SHEET

PROJECT NAME \_\_\_\_\_

LOCATION \_\_\_\_\_

ARCHITECT \_\_\_\_\_

ENGINEER \_\_\_\_\_

CONTRACTOR \_\_\_\_\_

SUBMITTED BY \_\_\_\_\_ DATE \_\_\_\_\_

## UNIT SUMMARY

Quantity						
Unit Designation						
Model No.						
Total Cooling						
Sensible Cooling						
Air Ent. Evaporator						
Air Lvg. Evaporator						
Heating Input						
Heating Output						
CFM/ESP						
EER/SEER						
Electrical						
Minimum Ampacity						
Min.-Max. Breaker						
Net Unit Weight						
Accessory						
Catalog Form Number						

**ACCESSORIES:**

**NOTES:**

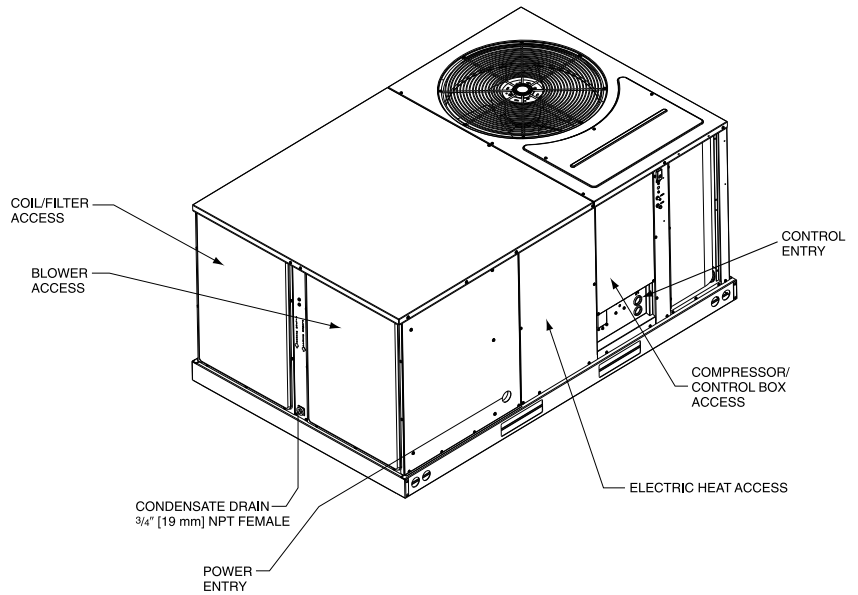
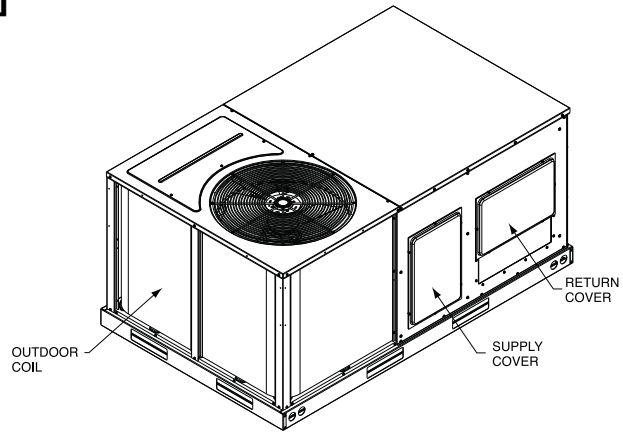


INTEGRATED HOME COMFORT

# PACKAGE AIR CONDITIONER FEATURING HumidiDry™ TECHNOLOGY:

**RKNL-G Series**  
**With ClearControl™**  
**Nominal Sizes 3-5 Tons [10.6-17.6 kW]**

JOB NAME \_\_\_\_\_  
 CONTRACTOR \_\_\_\_\_  
 ENGINEER \_\_\_\_\_  
 LOCATION \_\_\_\_\_  
 ORDER NO. \_\_\_\_\_  
 SUBMITTED FOR  APPROVAL  RECORD  
 SUBMITTED BY \_\_\_\_\_  
 DATE \_\_\_\_\_  
 UNIT DESIGNATION \_\_\_\_\_  
 MODEL NO. \_\_\_\_\_



[ ] Designates Metric Conversions

## UNIT DATA

### COOLING PERFORMANCE

TOTAL CAPACITY\* ..... MBH  
 SENSIBLE CAPACITY\* ..... MBH  
 EFFICIENCY (at AHRI)..... EER  
 PART LOAD EFFICIENCY ..... IEER  
 AMBIENT DB TEMP..... °F  
 ENTERING DB TEMP ..... °F  
 ENTERING WB TEMP ..... °F  
 LEAVING DB TEMP ..... °F  
 LEAVING WB TEMP ..... °F  
 TOTAL POWER INPUT ..... kW  
 ELEVATION ..... FT  
 SOUND POWER ..... DBELS

### HEATING PERFORMANCE

ELECTRIC HEAT CAPACITY ..... kW

### SUPPLY AIR BLOWER PERFORMANCE

SUPPLY AIR..... CFM [L/s]  
 OUTSIDE AIR..... CFM [L/s]  
 EXTERNAL STATIC PRESSURE..... IWG  
 DUCT CONNECTION LOCATION .....  
 BLOWER SPEED ..... RPM  
 MOTOR RATING ..... HP [W]  
 BRAKE HORSEPOWER..... BHP  
 POWER INPUT REQUIREMENT..... kW

### ELECTRICAL DATA

POWER SUPPLY..... Hz  
 MINIMUM CIRCUIT AMPACITY..... AMPS  
 MAXIMUM OVERCURRENT DEVICE  
 FUSE SIZE ..... AMPS  
 HACR CIRCUIT BREAKER ..... AMPS

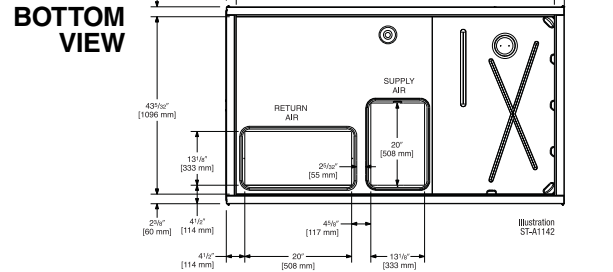
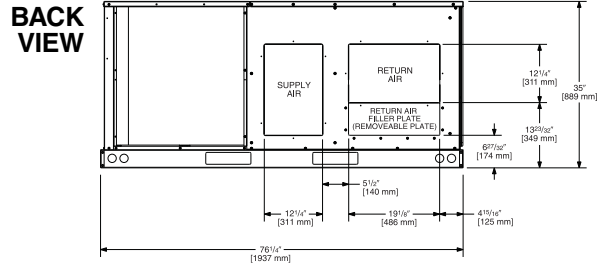
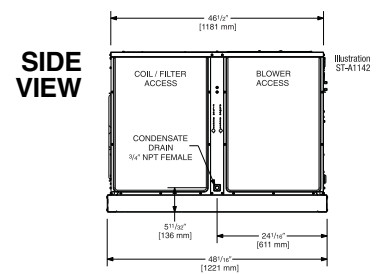
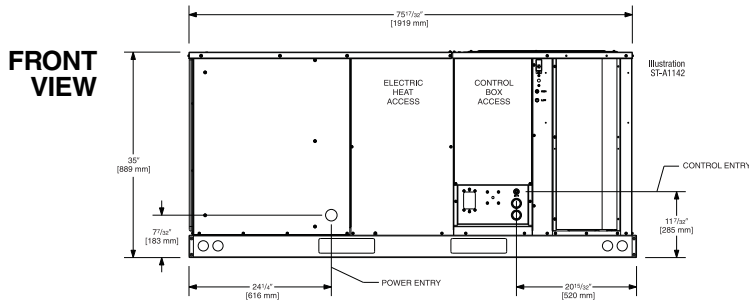
### DIMENSIONS & WEIGHT

HEIGHT\_\_\_ IN WIDTH\_\_\_ IN DEPTH \_\_\_ IN  
 TOTAL WEIGHT ..... LBS [kg]  
 (including factory options)

### CLEARANCES

FRONT 48" [1219 mm] BACK 18" [457 mm]  
 BOTTOM 0" TOP 60" [1524 mm]  
 LEFT SIDE 18" [457 mm] 36" [914 mm]  
 RIGHT SIDE (condenser end) 18" [457 mm]





## FEATURES FOR PACKAGE AIR CONDITIONERS RLNL-G 3-5 TONS [10.6-17.6 kW]

- R-410A HFC refrigerant.
- Complete factory charged, wired and run tested.
- Scroll compressors with internal line break overload and high-pressure protection.
- Single stage compressor on all models.
- Convertible airflow.
- TXV refrigerant metering system on each circuit.
- High Pressure and Low Pressure/Loss of charge protection standard, air proving, dirty filter, freeze stat, return, discharge, and outdoor air sensors on all models.
- Solid Core liquid line filter drier on each circuit.
- Single slab, single pass designed evaporator coil facilitates easy cleaning for maintained high efficiencies.
- Cooling operation up to 125 degree F ambient.
- Easily removable filter, blower, electric heat, and control access panels permits prompt service.
- Powder Paint Finish meets ASTMB117 steel coated on each side for maximum protection. G90 galvanized.
- One piece top cover and one piece base pan with drawn supply and return opening for superior water management.
- Externally mounted refrigerant gauge ports for easy service diagnostics.
- Factory or field-installed electric heat kits available up to 24 kW.
- Easy to install plug-in; slip in, 100% fully modulating economizer.
- Forkable base rails for easy handling and lifting.
- Single point electrical connections.
- High performance belt drive motor with variable pitch pulleys and quick adjust belt system.
- Permanently lubricated evaporator, condenser motors.
- Condenser motors are internally protected, totally enclosed with shaft down design.
- 1 inch filter standard with slide out design.
- Colored and labeled wiring.
- Copper tube/Aluminum Fin coils.
- Molded compressor plug.
- Factory Installed ClearControl™, a Direct Digital Control (DDC) and sensors which can connect to LonWorks™ or BACnet® BAS systems for remote monitoring and control.
- Factory Installed HumidiDry™ Dehumidification System (Refrigerant Reheat).

## ACCESSORIES

### Factory Installed

- Oversized Blower motor .....
- Outdoor Coil Guard .....
- Non-Powered Convenience Outlet .....
- Low Ambient w/Comfort Alert® Control.....
- Comfort Alert® Control .....
- Louver Kit (3 Sides) .....
- Single Enthalpy Economizer  
w/Barometric Relief and DDC .....
- Single Enthalpy Economizer w/Barometric  
Relief, Smoke Detector and DDC .....

### Field Installed

- Low Ambient Control .....
- 14" Full Perimeter Roofcurb .....
- 24" Full Perimeter Roofcurb .....
- Roofcurb Adapter .....
- Concentric Diffuser .....
- Manual Outside Air Intake Damper.....
- Motorized Outside Air Intake .....
- Motorized Outside Air Intake Damper  
w/DDC Feedback .....
- Dual Enthalpy Adapter .....
- Power Exhaust .....
- CO<sub>2</sub> Sensor (wall mount with LCD).....

[ ] Designates Metric Conversions

**Before proceeding with installation, refer to installation instructions packaged with each model, as well as complying with all Federal, State, Provincial, and Local codes, regulations, and practices.**

Rheem Sales Company, Inc.  
P.O. Box 17010, Fort Smith, AR 72917

*"In keeping with its policy of continuous progress and product improvement, Rheem reserves the right to make changes without notice."*