



The new degree of comfort.™

SUBMITTAL COVER SHEET

PROJECT NAME _____

LOCATION _____

ARCHITECT _____

ENGINEER _____

CONTRACTOR _____

SUBMITTED BY _____ DATE _____

UNIT SUMMARY

Quantity						
Unit Designation						
Model No.						
Total Cooling						
Sensible Cooling						
Air Ent. Evaporator						
Air Lvg. Evaporator						
Heating Input						
Heating Output						
CFM/ESP						
EER/SEER						
Electrical						
Minimum Ampacity						
Min.-Max. Breaker						
Net Unit Weight						
Accessory						
Catalog Form Number						

ACCESSORIES:

NOTES:

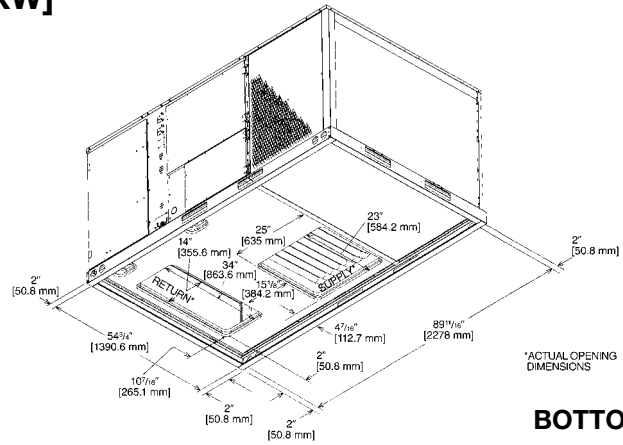


INTEGRATED HOME COMFORT

PACKAGE AIR CONDITIONER FEATURING HumidiDry™ TECHNOLOGY:

RLNL-G Series
With ClearControl™
and VFD Technology
Nominal Sizes 7.5 & 10 Tons [26.4-35.2 kW]

JOB NAME _____
 CONTRACTOR _____
 ENGINEER _____
 LOCATION _____
 ORDER NO. _____
 SUBMITTED FOR APPROVAL RECORD
 SUBMITTED BY _____
 DATE _____
 UNIT DESIGNATION _____
 MODEL NO. _____



BOTTOM VIEW

UNIT DATA

COOLING PERFORMANCE

TOTAL CAPACITY*	_____	MBH
SENSIBLE CAPACITY*	_____	MBH
EFFICIENCY (at AHRI)	_____	EER
PART LOAD EFFICIENCY	_____	IEER
AMBIENT DB TEMP	_____	°F
ENTERING DB TEMP	_____	°F
ENTERING WB TEMP	_____	°F
LEAVING DB TEMP	_____	°F
LEAVING WB TEMP	_____	°F
TOTAL POWER INPUT	_____	kW
ELEVATION	_____	FT
SOUND POWER	_____	DBELS

HEATING PERFORMANCE

ELECTRIC HEAT CAPACITY	_____	kW
------------------------	-------	----

SUPPLY AIR BLOWER PERFORMANCE

SUPPLY AIR	_____	CFM [L/s]
OUTSIDE AIR	_____	CFM [L/s]
EXTERNAL STATIC PRESSURE	_____	IWG
DUCT CONNECTION LOCATION	_____	
BLOWER SPEED	_____	RPM
MOTOR RATING	_____	HP [W]
BRAKE HORSEPOWER	_____	BHP
POWER INPUT REQUIREMENT	_____	kW

ELECTRICAL DATA

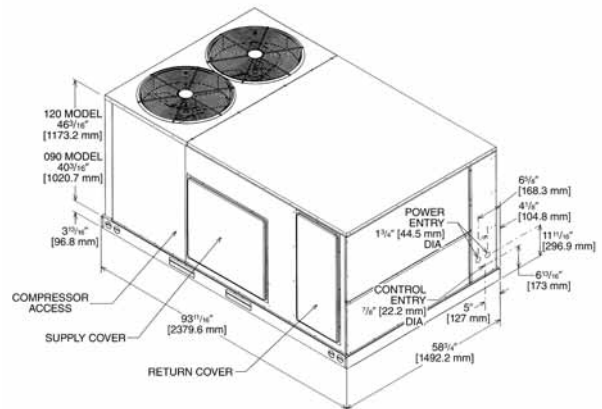
POWER SUPPLY	_____	Hz
MINIMUM CIRCUIT AMPACITY	_____	AMPS
MAXIMUM OVERCURRENT DEVICE	_____	
FUSE SIZE	_____	AMPS
HACR CIRCUIT BREAKER	_____	AMPS

DIMENSIONS & WEIGHT

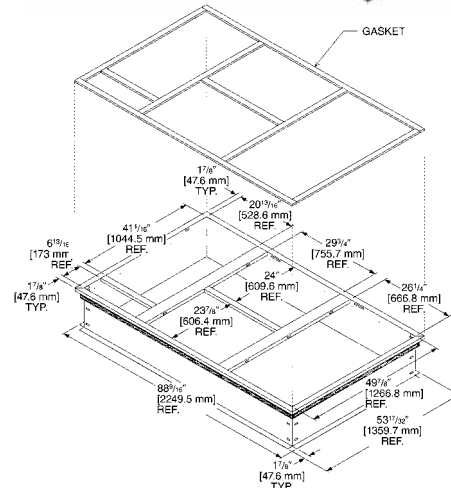
HEIGHT	___ IN	WIDTH	___ IN	DEPTH	___ IN
TOTAL WEIGHT	_____	LBS [kg]			
(including factory options)					

CLEARANCES

FRONT	48" [1219 mm]	BACK	18" [457 mm]
BOTTOM	0"	TOP	60" [1524 mm]
LEFT SIDE	18" [457 mm]		36" [914 mm]
RIGHT SIDE (condenser end)			18" [457 mm]



ROOFCUB INSTALLATION



Roofcub Includes Insulation Panels

[] Designates Metric Conversions



FEATURES FOR PACKAGE AIR CONDITIONERS RLNL-G 7.5 & 10 TONS [26.4 THRU 35.2 kW]

Cooling

- R410A Refrigerant
- Quiet, Efficient, Scroll Compressors
- Two-Stage Cooling for Superior Comfort Control at Minimum Operating Cost on most models
- Belt-drive Blower with optional drive to accommodate design conditions as high as 2.0 inches [.37 kPa] of external static pressure at nominal airflow
- Copper Tube/Aluminum Fin Coils

Service Features

- 1/4 turn Fasteners and Hinged Access Panels for Convenience
- Large Control Panel with numbered and color coded wiring for Easy Troubleshooting
- Front Access, Slide-Out Blower Assembly for Easy Maintenance
- Convertible Airflow for Maximum Flexibility
- Solid-state microprocessor-based control board provides flexible control and extensive diagnostics for all unit functions
- Features a 16 x 2 character LCD display and a five-button keypad for local configuration and direct diagnosis of the system
- Slide out Condensate Drain pan to simplify Cleaning
- Factory-Installed two-inch [50.8 mm], throw away filters accessible without tools
- Plug-in Electrical Connections on outdoor fan assemblies
- Unit is prewired to accept Slip-In Economizer
- Externally-mounted refrigerant gauge ports
- Side or Base utility access minimizing roof penetrations

- Full perimeter, forkable, riggable baserails with protective forkboards for easy handling
- Complete Factory Tested, Charged, Wired
- Compatible with a third party building management system that supports the BACnet Application Specific Controller device profile
- Compatible with a third party building management system that supports the LonMark Space Comfort Controller (SCC) functional profile or LonMark Discharge Air Controller (DAC) functional profile

Reliability Features

- One-piece Top and Base pan on indoor section, One-inch [25.4 mm] raised flanges on supply/return opening for superior water management
- Base pan Insulation mounted on bottom helps eliminate corrosion and improves indoor air quality
- Non-Corrosive, sloped drain pan helps improve indoor air quality
- Insulation secured by adhesive *and* mechanical means
- Electrodeposition power-coat paint process guards against extreme weather conditions and withstands 1000-hour salt-spray test
- High and Low Refrigerant Pressure Switches, air proving, dirty filter, freeze stat, return, supply and outdoor air sensors.
- Solid core refrigerant liquid line filters
- Available Comfort Alert® Module for power phase monitoring protection
- HumidiDry™ Dehumidification System VFD (Variable Frequency Drive).

ACCESSORIES

Factory Installed

- Oversized Blower motor
- Outdoor Coil Guard
- Non-Powered Convenience Outlet
- Low Ambient w/Comfort Alert® Control
- Single Enthalpy Economizer
w/Barometric Relief and DDC
- Single Enthalpy Economizer w/Barometric
Relief, Smoke Detector and DDC

[] Designates Metric Conversions

Field Installed

- Electric Heater Kits
- Outdoor Coil Guard.....
- Non-Powered Convenience Outlet
- Low Ambient Control.....
- Comfort Alert® Control.....
- 14" Full Perimeter Roofcurb
- 24" Full Perimeter Roofcurb
- Roofcurb Adapter
- Concentric Diffuser
- Manual Outside Air Intake Damper
- Motorized Outside Air Intake.....
- Motorized Outside Air Intake Damper
w/DDC Feedback
- Single Enthalpy Economizer
w/Barometric Relief and DDC
- Single Enthalpy Economizer w/Barometric
Relief, Smoke Detector and DDC
- Horizontal Single Enthalpy Economizer
w/Barometric Relief and DDC
- Dual Enthalpy Adapter
- Power Exhaust
- CO₂ Sensor (wall mount with LCD)

Before proceeding with installation, refer to installation instructions packaged with each model, as well as complying with all Federal, State, Provincial, and Local codes, regulations, and practices.

Rheem Sales Company, Inc.
P.O. Box 17010, Fort Smith, AR 72917

"In keeping with its policy of continuous progress and product improvement, Rheem reserves the right to make changes without notice."