



The new degree of comfort.™

SUBMITTAL COVER SHEET

PROJECT NAME _____

LOCATION _____

ARCHITECT _____

ENGINEER _____

CONTRACTOR _____

SUBMITTED BY _____ DATE _____

UNIT SUMMARY

Quantity						
Unit Designation						
Model No.						
Total Cooling						
Sensible Cooling						
Air Ent. Evaporator						
Air Lvg. Evaporator						
Heating Input						
Heating Output						
CFM/ESP						
EER/SEER						
Electrical						
Minimum Ampacity						
Min.-Max. Breaker						
Net Unit Weight						
Accessory						
Catalog Form Number						

ACCESSORIES:

NOTES:



INTEGRATED HOME COMFORT

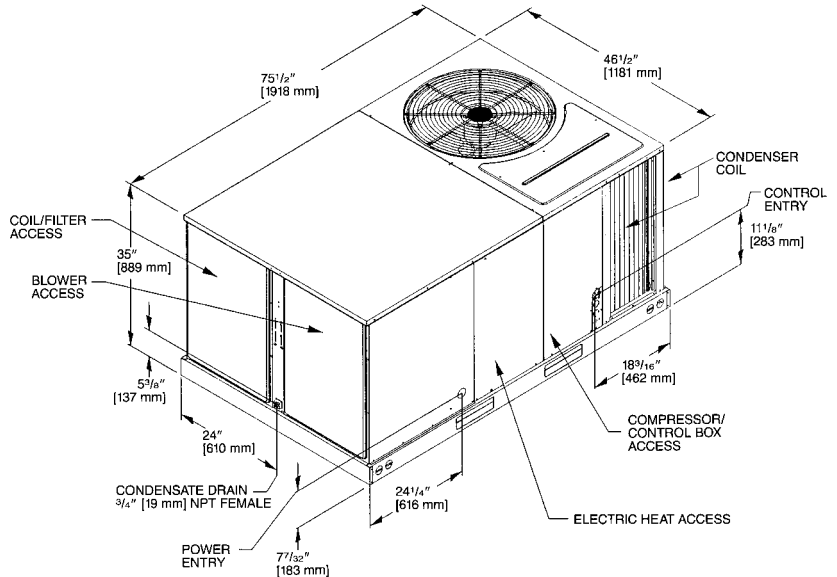
SUBMITTAL SHEET FOR PACKAGE AIR CONDITIONERS

RLNN- 13 SEER SERIES, RLPN- 14 SEER SERIES, RLQN- 15 SEER SERIES

NOMINAL SIZES 3-5 TONS [10.6-17.6 kW]

JOB NAME _____
 CONTRACTOR _____
 ENGINEER _____
 LOCATION _____
 ORDER NO. _____
 SUBMITTED FOR APPROVAL RECORD
 SUBMITTED BY _____
 DATE _____
 UNIT DESIGNATION _____
 MODEL NO. _____

UNIT DIMENSIONS FOR PACKAGE AIR CONDITIONERS 3 TO 5 TON [10.6 TO 17.6 kW] MODELS



UNIT DATA

COOLING PERFORMANCE

TOTAL CAPACITY* MBH
 SENSIBLE CAPACITY* MBH
 OUTDOOR DESIGN TEMP. °F [°C] DB/WB
 TOTAL SUPPLY AIR CFM [L/s]
 TEMP. OF AIR ENTERING
 EVAPORATOR COIL..... °F [°C] DB/WB
 POWER INPUT REQUIREMENT kW
 SEER/EER RATING
 (*uses blower motor heat)

ELECTRIC HEAT PERFORMANCE

ELECTRIC HEAT CAPACITY..... kW

SUPPLY AIR BLOWER PERFORMANCE

TOTAL SUPPLY AIR CFM [L/s]
 TOTAL RESISTANCE EXTERNAL
 TO UNIT IWG
 BLOWER SPEED RPM
 POWER OUTPUT REQUIREMENT .. BHP
 MOTOR RATING HP [W]
 POWER INPUT REQUIREMENT kW

ELECTRICAL DATA

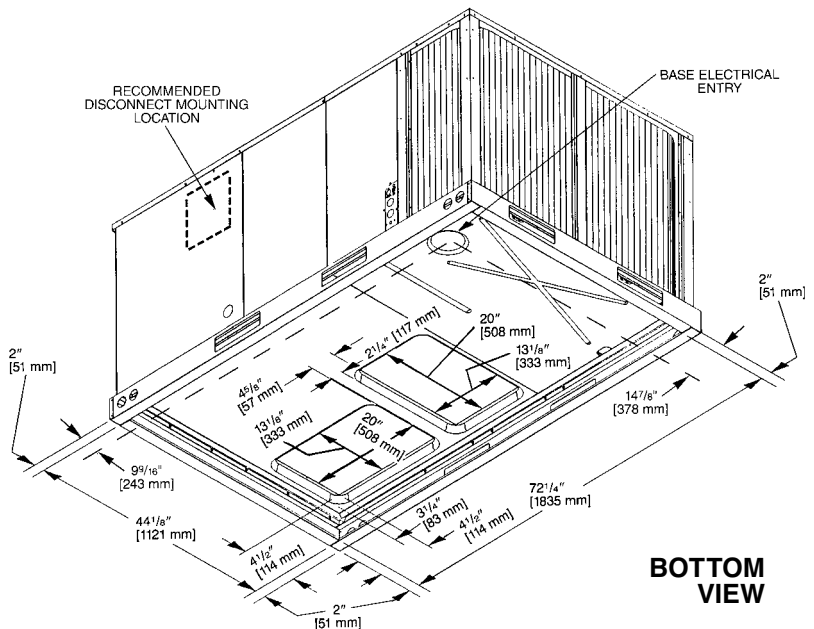
POWER SUPPLY
 TOTAL UNIT AMPACITY..... AMPS
 MINIMUM WIRE SIZE AWG
 MAXIMUM OVERCURRENT DEVICE
 FUSES HACR BREAKER AMPS

TOTAL UNIT WEIGHT

TOTAL OPERATING WEIGHT LBS [kg]
 (including field-installed accessories)

CLEARANCES

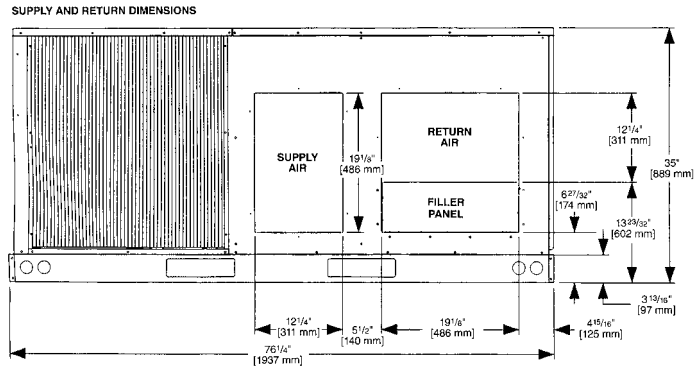
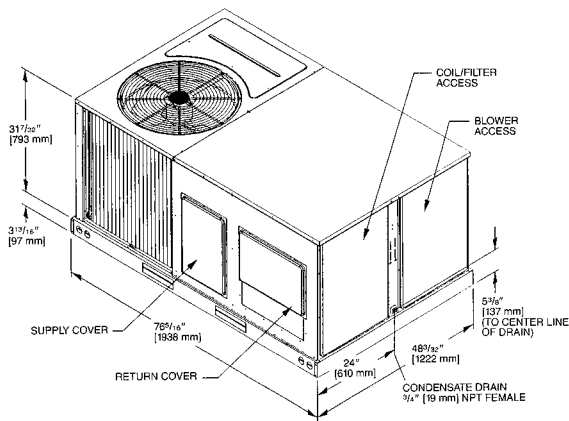
FRONT	48" [1219 mm]
CONDENSER COIL	18" [457 mm]
DUCT SIDE	12" [305 mm]
EVAPORATOR END	36" [914 mm]
ABOVE UNIT	60" [1524 mm]



BOTTOM VIEW



[] Designates Metric Conversions



[] Designates Metric Conversions

FEATURES

- R-410A HFC refrigerant.
- Complete factory charged, wired and run tested.
- Scroll compressors with internal line break overload and high-pressure protection.
- Single stage compressor on all models. (Except 5 ton 15 SEER) which utilizes two stage scroll.
- Convertible airflow.
- TXV refrigerant metering system on each circuit.
- High Pressure and Low Pressure/Loss of charge protection standard on all models.
- Solid Core liquid line filter drier on each circuit.
- Single slab, Micro Channel designed evaporator coil facilitates easy cleaning for maintained high efficiencies.
- Cooling operation up to 125 degree F ambient.
- Easily removable filter, blower, gas heat, and compressor/control access panels permits prompt service.
- Powder Paint Finish meets ASTM B117 steel coated on each side for maximum protection. G90 galvanized.
- One piece top cover and one piece base pan with drawn supply and return opening for superior water management.
- Externally mounted refrigerant gauge ports for easy service diagnostics.
- Factory or field-installed electric heat kits available up to 24 kW.
- Easy to install plug-in; slip in, 100% fully modulating economizer.
- Forkable base rails for easy handling and lifting.
- Single point electrical and gas connections.
- Direct drive or high performance belt drive motor with variable pitch pulleys and quick adjust belt system.
- Permanently lubricated evaporator, condenser and gas heat inducer motors.
- Condenser motors are internally protected, totally enclosed with shaft down design.
- 1 inch filter standard with slide out design.
- Colored and labeled wiring.
- Copper tube/Aluminum Fin coils.
- Molded compressor plug.
- Micro Channel evaporator and condenser delivers superior performance with less refrigerant charge and less weight than conventional copper tube/aluminum fin coils. In addition the all aluminum construction has superior protection against formicary corrosion and aluminum tube rubbing potential. Its easier to clean and has a more robust surface.

ACCESSORIES

- | | | | |
|------------------------------|--------------------------|--------------------------------------|--------------------------|
| Economizers | | Condenser Coil Guards | <input type="checkbox"/> |
| Single Enthalpy | <input type="checkbox"/> | L.P. Conversion Kits | <input type="checkbox"/> |
| Dual Enthalpy | <input type="checkbox"/> | Roofcurbs | <input type="checkbox"/> |
| CO ₂ Sensor | <input type="checkbox"/> | Low Ambient Control | <input type="checkbox"/> |
| Fresh Air Dampers | | Electric Heater Kits | <input type="checkbox"/> |
| Manual | <input type="checkbox"/> | Concentric Diffuser | <input type="checkbox"/> |
| Motorized | <input type="checkbox"/> | Rectangular to Round Transition..... | <input type="checkbox"/> |
| | | Roofcurb Adaptors | <input type="checkbox"/> |
| | | High Pressure Control | <input type="checkbox"/> |
| | | Low Pressure Control | <input type="checkbox"/> |
| | | Thermostat..... | <input type="checkbox"/> |

Before proceeding with installation, refer to installation instructions packaged with each model, as well as complying with all Federal, State, Provincial, and Local codes, regulations, and practices.

Rheem Sales Company, Inc.
P.O. Box 17010, Fort Smith, AR 72917