



The new degree of comfort.™

Rheem Classic® Series Heat Pumps

RPNL- Series

Efficiencies up to 14.50 SEER/12.00 EER/9.50 HSPF
Nominal Sizes 2 to 5 Ton [7.03 to 17.6 kW]



“Proper sizing and installation of equipment is critical to achieve optimal performance. Ask your Contractor for details or visit www.energystar.gov.”

- Attractive, louvered wrap around jacket protects coil from weather extremes and yard hazards. Top grille is steel reinforced for extra strength. Cabinet is powder painted for all weather protection.
- Four sided outdoor coil design allows compressor operation with access panel removed.
- Air is discharged upward away from bushes and shrubs. The discharge pattern of the top grille provides minimum air restriction, resulting in quiet fan operation.
- Combination Grille/Motor Mount secures the fan motor to the underside of the discharge grille.
- All controls are accessible by removing one service panel. Removable top grille provides access to the outdoor fan motor and outdoor coil.
- Compressor compartment offers additional protection from the elements and reduces operating noise.
- Single speed, 8-pole fan motor is designed for quieter, energy-saving operation.
- Non-cycling reversing valve and demand defrost.
- All models meet or exceed a 1000-hour salt spray test per ASTM B117 Standard Practice for Operating Salt Spray Testing Apparatus.

TABLE OF CONTENTS

Model Features	3
Model Number Identification	4
Accessories.....	4
Scroll Compressor	4
Performance Data	5-14
Electrical & Physical Data	15
Unit Dimensions.....	16
Refrigerant Line Size Information	17
Limited Warranty	18



All controls and compressor are accessible for servicing by removal of the service panel.



Drawn Painted Base Pan.

Model Features

RPNL- Series Heat Pump Outdoor Unit

1. **Scroll compressor** is hermetically sealed and incorporates internal high temperature motor overload protection, and durable insulation on the motor windings. It is externally mounted on rubber grommets to reduce vibration and noise.
2. **Copper Tube/Aluminum Fin Coils**—Both indoor and outdoor coils.
3. **Strong, Attractive Cabinet**—Constructed of powder painted steel. Louvered design protects the coil from damage.
4. **Internal Check Valve**—Provides for more quiet refrigerant metering.
5. **Enhanced Compressor Protection**—Features an **enhanced defrost control, auto-reset high pressure control, and auto-reset low pressure control** to provide compressor protection under abnormally high head pressure conditions (outdoor fan failure, restriction, dirty coil, etc.) or abnormally low suction pressure conditions (restrictions, TEV failure, loss of charge, indoor blower failure, etc.) while eliminating nuisance tripping sometimes experienced with conventional control systems.
6. **Drawn Painted Base Pan**—For extra corrosion resistance and sound reduction.
7. **Demand Defrost Control**—Provides complete defrost when defrost is required.
8. **Non-Cycling Reversing Valve**—Eliminates discharge noises on each heating cycle.
9. **Hot Gas Muffler**—Reduces noise in heating cycle.
10. **Bi-Directional Filter Drier**—Standard on all models (shipped – not installed).
11. **Service valves** are standard on all models.
12. **Refrigerant Metering**—TEV accurately meter refrigerant into indoor and outdoor coils.
13. The **RPNL-** has a 10 year limited compressor warranty.
14. All refrigerant connections are on the exterior of the unit, located close to the ground for neat appearing installations.
15. Coil design permits compressor operation with the access panel removed.
16. Control box is fully accessible in the upper part of the cabinet, just under the access panel.
17. Power and control wiring are kept separate.
18. Every unit is factory charged and tested.

Model Number Identification

R	P	N	L	—	024	J	A	Z
RHEEM	REMOTE HEAT PUMP	N = 13 SEER	DESIGN SERIES L = R-410A		COOLING CAPACITY	ELECTRICAL DESIGNATION	VARIATIONS A SERIES = FULL-FEATURED	COOLING CONNECTION FITTING Z = SWEAT W/SCROLL
					018 = 18,000 BTU/HR [5.28 kW] 024 = 24,000 BTU/HR [7.03 kW] 031 = 30,000 BTU/HR [8.79 kW] 037 = 36,000 BTU/HR [10.55 kW] 043 = 42,000 BTU/HR [12.31 kW] 049 = 48,000 BTU/HR [14.07 kW] 060 = 60,000 BTU/HR [17.58 kW]	J = 208/230V-1-60 C = 208/230V-3-60 (RPNL 3, 3 1/2, 4 & 5 TON MODELS ONLY) D = 460V-3-60 (RPNL 3, 3 1/2, 4 & 5 TON MODELS ONLY) Y = 575V-3-60 (RPNL 4 & 5 TON MODELS ONLY)		

Accessories

- Low Ambient Control (RXAD-A08)
- Crankcase Heater
- Heat Pump Monitor (RXPM-B01)
- Hard Start Components
- Heat Pump Thermostat Warning Light Kit
- Blower Time Delay Control (RXMD-C04).
- Fossil Fuel Kits—RXPF-01
RXPF-02

Thermostats



200-Series *
Programmable



300-Series *
Deluxe Programmable

400-Series *
Special Applications/
Programmable



500-Series *
Communicating/
Programmable

Brand	Descriptor (3 Characters)	Series (3 Characters)	System (2 Characters)	Type (2 Characters)
RHC	-	TST	213	UN
RHC=Rheem	TST=Thermostat	200=Programmable 300=Deluxe Programmable 400=Special Applications/ Programmable 500=Communicating/ Programmable	GE=Gas/Electric UN=Universal (AC/HP/GE) MD=Modulating Furnace DF=Dual Fuel CM=Communicating	SS=Single-Stage MS=Multi-Stage

* Photos are representative. Actual models may vary.

For detailed thermostat match-up information, see specification sheet form number T11-001.

Scroll® Compressor

The scroll compressor is the key to efficiency for this Rheem model. It's the latest in high-efficiency compressor technology. The advanced scroll compressor offers low noise and vibration characteristics and features tolerance to liquid refrigerant and system contamination. The scroll compressor also has low start torque, eliminating start problems in the field. And its unique design enables the RPNL- heat pumps to perform efficiently, quietly and dependably.

[] Designates Metric Conversions



Rheem Heat Pump System

For all season home comfort, performance and energy conservation, choose a Rheem Series Heat Pump and a RHSL, RHLL, or RHKL Series Air Handler.

More than a reverse cycle air conditioner, it's a specially designed combination Winter/Summer comfort system using a single indoor coil for heating and cooling.

To choose an Air Handler designed for use with the RPNL- Heat Pumps, refer to the Performance Data Tables and/or the air handler specification sheet.

Performance Data AHRI Standard Conditions—RPNL- (cont.)

Model Numbers		AHRI Cooling Performance							AHRI Heating Performance (70°F [21°C] Indoor)				
		80°F [26.5°C] DB/67°F [19.5°C] WB Indoor Air 95°F [35°C] DB Outdoor Air							Outdoor Air 47°F [8.5°C] DB/ 43°F [6°C] WB DOE High Temp.		Outdoor Air 17°F [-8.5°C] DB/ 15°F [-9.5°C] WB DOE Low Temp.		DOE Region IV HSPF
Outdoor Unit RPNL-	Indoor Coil and/or Air Handler	Total Capacity BTU/H [kW]	Net Sens. BTU/H [kW]	Net Latent BTU/H [kW]	EER	SEER	Snd. Rate dB	Indoor CFM [L/s]	BTU/H [kW]	COP	BTU/H [kW]	COP	
Rev. 5/17/2012	RHSL-HM2417(RCSL-H*2417) ①	23,400 [6.9]	17,350 [5.1]	6,050 [1.8]	11.00	13.00	72	825 [389]	22,800 [6.7]	3.56	14,100 [4.1]	2.34	8.50
	RHAL-FR24P	25,000 [7.3]	18,850 [5.5]	6,150 [1.8]	11.00	13.00	72	775 [366]	22,400 [6.6]	3.40	14,700 [4.3]	2.40	8.20
	RHBL-FR24T	24,200 [7.1]	18,800 [5.5]	5,400 [1.6]	11.50	14.00	72	850 [401]	22,600 [6.6]	3.68	14,500 [4.2]	2.46	8.50
	RCFL-H*2414+RXMD-C04	23,200 [6.8]	17,150 [5.0]	6,050 [1.8]	10.50	13.00	72	825 [389]	23,000 [6.7]	3.46	14,300 [4.2]	2.30	8.15
	RCFL-H*2417(RGFE-06?MCK?)	23,600 [6.9]	17,500 [5.1]	6,100 [1.8]	11.50	14.00	72	800 [378]	22,400 [6.6]	3.68	13,800 [4.0]	2.42	9.00
	RCFL-H*2417(RGFE-07?MCK?)	23,600 [6.9]	17,500 [5.1]	6,100 [1.8]	11.50	14.00	72	825 [389]	22,400 [6.6]	3.66	13,800 [4.0]	2.42	9.00
	RCFL-H*2417(RGFG-06?MCK?)	23,600 [6.9]	17,600 [5.2]	6,000 [1.8]	11.50	14.00	72	800 [378]	22,400 [6.6]	3.68	13,800 [4.0]	2.42	9.00
	RCFL-H*2417(RGFG-07?MCK?)	23,600 [6.9]	17,500 [5.1]	6,100 [1.8]	11.50	14.00	72	800 [378]	22,400 [6.6]	3.66	13,600 [4.0]	2.40	9.00
	RCFL-H*2417(RGGE-06?MCK?)	23,600 [6.9]	17,500 [5.1]	6,100 [1.8]	11.50	14.00	72	825 [389]	22,400 [6.6]	3.70	13,700 [4.0]	2.44	9.00
	RCFL-H*2417(RGGE-07?MCK?)	23,600 [6.9]	17,500 [5.1]	6,100 [1.8]	11.50	14.00	72	800 [378]	22,400 [6.6]	3.68	13,800 [4.0]	2.42	9.00
	RCFL-H*2417(RGJF-06?MCK?)	23,200 [6.8]	16,800 [4.9]	6,400 [1.9]	11.50	14.00	72	725 [342]	22,400 [6.6]	3.72	13,700 [4.0]	2.46	9.00
	RCFL-H*2417(RGJF-07?MCK?)	23,600 [6.9]	17,500 [5.1]	6,100 [1.8]	11.50	14.00	72	800 [378]	22,400 [6.6]	3.70	13,800 [4.0]	2.44	9.00
024JAZ	RCFL-H*2417(RGLE-07?AMK?)	23,600 [6.9]	17,500 [5.1]	6,100 [1.8]	11.50	14.00	72	800 [378]	22,400 [6.6]	3.72	13,700 [4.0]	2.44	9.00
	RCFL-H*2417(RGLT-07?AMK?)	23,600 [6.9]	17,500 [5.1]	6,100 [1.8]	11.50	14.00	72	850 [401]	22,400 [6.6]	3.68	13,800 [4.0]	2.42	8.50
	RCFL-H*2417(RGPE-05?BMK?)	23,600 [6.9]	17,500 [5.1]	6,100 [1.8]	11.50	14.00	72	800 [378]	22,400 [6.6]	3.70	13,700 [4.0]	2.44	9.00
	RCFL-H*2417(RGPE-07?AMK?)	23,600 [6.9]	17,500 [5.1]	6,100 [1.8]	11.50	14.00	72	825 [389]	22,400 [6.6]	3.70	13,700 [4.0]	2.44	9.00
	RCFL-H*2417(RGPT-05?BMK?)	23,600 [6.9]	17,500 [5.1]	6,100 [1.8]	11.00	13.50	72	850 [401]	22,600 [6.6]	3.64	13,900 [4.1]	2.40	8.50
	RCFL-H*2417(RGPT-07?AMK?)	23,600 [6.9]	17,500 [5.1]	6,100 [1.8]	11.50	14.00	72	850 [401]	22,600 [6.6]	3.66	13,800 [4.0]	2.42	8.50
	RCFL-H*2417(RGRM-04?MAE?)	23,400 [6.9]	17,400 [5.1]	6,000 [1.8]	11.00	13.50	72	800 [378]	22,600 [6.6]	3.64	13,900 [4.1]	2.40	8.50
	RCFL-H*2417(RGRM-06?MAE?)	23,600 [6.9]	17,450 [5.1]	6,150 [1.8]	11.00	13.50	72	825 [389]	22,600 [6.6]	3.64	13,800 [4.0]	2.40	8.50
	RCFL-H*2417(RGRM-07?MAE?)	23,400 [6.9]	17,300 [5.1]	6,100 [1.8]	11.00	13.00	72	850 [401]	22,600 [6.6]	3.58	14,000 [4.1]	2.38	8.50
	RCFL-H*2417(RGTM-06?MAE?)	23,400 [6.9]	17,100 [5.0]	6,300 [1.8]	11.50	14.00	72	750 [354]	22,400 [6.6]	3.74	13,600 [4.0]	2.46	9.00
	RCFL-H*2417(RHWB-04WMMX36A)	23,200 [6.8]	16,900 [5.0]	6,300 [1.8]	11.00	13.50	72	750 [354]	21,800 [6.4]	3.56	13,000 [3.8]	2.29	8.20
	RCFL-H*2417(ROCA-070E03)	23,600 [6.9]	17,500 [5.1]	6,100 [1.8]	11.50	14.00	72	800 [378]	22,400 [6.6]	3.72	13,700 [4.0]	2.44	9.00
	RCFL-H*2417(ROLA-070E03)	23,600 [6.9]	17,500 [5.1]	6,100 [1.8]	11.50	14.00	72	800 [378]	22,400 [6.6]	3.72	13,700 [4.0]	2.44	9.00
	RCFL-H*2417+RXMD-C04	23,200 [6.8]	17,150 [5.0]	6,050 [1.8]	10.50	13.00	72	825 [389]	23,000 [6.7]	3.46	14,300 [4.2]	2.30	8.15
	RBHP-17(RCHL-24A2)	23,000 [6.7]	16,600 [4.9]	6,400 [1.9]	11.00	13.50	72	800 [378]	23,200 [6.8]	3.52	14,500 [4.2]	2.34	8.50
	RHKL-HM2417(RCSL-H*2417)	23,600 [6.9]	17,500 [5.1]	6,100 [1.8]	11.50	14.00	72	850 [401]	22,000 [6.4]	3.92	13,300 [3.9]	2.56	9.00
RHLL-HM2417(RCSL-H*2417)	23,600 [6.9]	17,450 [5.1]	6,150 [1.8]	11.50	14.00	72	775 [366]	22,400 [6.6]	3.76	13,600 [4.0]	2.46	9.00	

① Highest sales volume tested combination required by D.O.E. test procedures.

[] Designates Metric Conversions

Performance Data AHRI Standard Conditions—RPNL- (cont.)

Model Numbers		AHRI Cooling Performance							AHRI Heating Performance (70°F [21°C] Indoor)				
		80°F [26.5°C] DB/67°F [19.5°C] WB Indoor Air 95°F [35°C] DB Outdoor Air							Outdoor Air 47°F [8.5°C] DB/ 43°F [6°C] WB DOE High Temp.		Outdoor Air 17°F [-8.5°C] DB/ 15°F [-9.5°C] WB DOE Low Temp.		DOE Region IV HSPF
Outdoor Unit RPNL-	Indoor Coil and/or Air Handler	Total Capacity BTU/H [kW]	Net Sens. BTU/H [kW]	Net Latent BTU/H [kW]	EER	SEER	Snd. Rate dB	Indoor CFM [L/s]	BTU/H [kW]	COP	BTU/H [kW]	COP	
Rev. 5/17/2012	RHSL-HM3017(RCSL-H*3617) ①	28,400 [8.3]	20,950 [6.1]	7,450 [2.2]	11.00	13.00	73	1,000 [472]	26,800 [7.9]	3.60	17,500 [5.1]	2.50	9.00
	RCFL-H*3617	28,200 [8.3]	20,750 [6.1]	7,450 [2.2]	10.50	13.00	73	1,000 [472]	27,000 [7.9]	3.52	17,700 [5.2]	2.46	9.00
031JAZ	RCFL-H*3617(RGFE-06?MCK?)	28,600 [8.4]	21,100 [6.2]	7,500 [2.2]	11.00	13.50	73	1,000 [472]	26,600 [7.8]	3.62	17,400 [5.1]	2.52	9.00
	RCFL-H*3617(RGFE-07?MCK?)	28,400 [8.3]	20,950 [6.1]	7,450 [2.2]	11.00	13.50	73	1,025 [484]	26,800 [7.9]	3.62	17,400 [5.1]	2.50	9.00
	RCFL-H*3617(RGFG-06?MCK?)	28,400 [8.3]	21,000 [6.2]	7,400 [2.2]	11.40	13.50	73	1,000 [472]	26,600 [7.8]	3.64	17,400 [5.1]	2.52	9.00
	RCFL-H*3617(RGFG-07?MCK?)	28,400 [8.3]	21,000 [6.2]	7,400 [2.2]	11.00	13.50	73	1,000 [472]	25,800 [7.6]	3.50	16,600 [4.9]	2.38	9.00
	RCFL-H*3617(RGGE-06?MCK?)	28,600 [8.4]	21,100 [6.2]	7,500 [2.2]	11.00	13.50	73	1,025 [484]	26,600 [7.8]	3.66	17,300 [5.1]	2.54	9.00
	RCFL-H*3617(RGGE-07?MCK?)	28,600 [8.4]	21,100 [6.2]	7,500 [2.2]	11.50	13.50	73	1,025 [484]	26,600 [7.8]	3.64	17,300 [5.1]	2.52	9.00
	RCFL-H*3617(RGJF-06?MCK?)	28,600 [8.4]	21,100 [6.2]	7,500 [2.2]	11.00	13.50	73	1,025 [484]	26,600 [7.8]	3.66	17,300 [5.1]	2.54	9.00
	RCFL-H*3617(RGJF-07?MCK?)	28,600 [8.4]	21,100 [6.2]	7,500 [2.2]	11.00	13.50	73	1,025 [484]	26,600 [7.8]	3.64	17,300 [5.1]	2.52	9.00
	RCFL-H*3617(RGLE-07?AMK?)	28,600 [8.4]	21,100 [6.2]	7,500 [2.2]	11.50	14.00	73	1,025 [484]	26,400 [7.7]	3.70	17,200 [5.0]	2.56	9.00
	RCFL-H*3617(RGLT-07?AMK?)	28,600 [8.4]	20,900 [6.1]	7,700 [2.3]	11.50	14.00	73	925 [437]	26,000 [7.6]	3.76	16,800 [4.9]	2.59	9.00
	RCFL-H*3617(RGPE-05?BMK?)	28,600 [8.4]	21,100 [6.2]	7,500 [2.2]	11.50	13.50	73	975 [460]	26,600 [7.8]	3.68	17,200 [5.0]	2.54	9.00
	RCFL-H*3617(RGPE-07?AMK?)	28,600 [8.4]	21,100 [6.2]	7,500 [2.2]	11.50	14.00	73	1,000 [472]	26,600 [7.8]	3.68	17,200 [5.0]	2.54	9.00
	RCFL-H*3617(RGPT-05?BMK?)	28,400 [8.3]	20,600 [6.0]	7,800 [2.3]	11.00	13.50	73	900 [425]	26,200 [7.7]	3.73	16,900 [5.0]	2.57	9.00
	RCFL-H*3617(RGPT-07?AMK?)	28,400 [8.3]	20,600 [6.0]	7,800 [2.3]	11.00	13.50	73	900 [425]	26,200 [7.7]	3.75	16,800 [4.9]	2.58	9.00
	RCFL-H*3617(RGRM-04?MAE?)	28,400 [8.3]	20,950 [6.1]	7,450 [2.2]	11.00	13.00	73	1,025 [484]	26,800 [7.9]	3.58	17,500 [5.1]	2.48	9.00
	RCFL-H*3617(RGRM-06?MAE?)	28,400 [8.3]	20,950 [6.1]	7,450 [2.2]	11.00	13.00	73	1,000 [472]	26,800 [7.9]	3.60	17,400 [5.1]	2.50	9.00
	RCFL-H*3617(RGRM-07?MAE?)	28,200 [8.3]	20,800 [6.1]	7,400 [2.2]	10.50	13.00	73	1,025 [484]	27,000 [7.9]	3.52	17,700 [5.2]	2.46	9.00
	RCFL-H*3617(RGRM-07?YBG?)	28,000 [8.2]	20,400 [6.0]	7,600 [2.2]	11.00	13.00	73	975 [460]	26,800 [7.9]	3.58	17,500 [5.1]	2.48	9.00
	RCFL-H*3617(RGTM-06?MAE?)	28,400 [8.3]	20,950 [6.1]	7,450 [2.2]	11.00	13.50	73	1,025 [484]	26,600 [7.8]	3.64	17,400 [5.1]	2.52	9.00
	RCFL-H*3617(RHWB-04WMX36A)	28,600 [8.4]	21,200 [6.2]	7,400 [2.2]	11.50	14.00	73	975 [460]	25,600 [7.5]	3.54	16,200 [4.7]	2.40	9.00
	RCFL-H*3617(RHWB-06WMX48A)	28,200 [8.3]	20,400 [6.0]	7,800 [2.3]	11.50	14.00	73	900 [425]	25,400 [7.4]	3.58	16,100 [4.7]	2.42	9.00
	RCFL-H*3617(ROCA-070E03)	28,600 [8.4]	21,100 [6.2]	7,500 [2.2]	11.50	14.00	73	1,000 [472]	26,400 [7.7]	3.70	17,200 [5.0]	2.56	9.00
	RCFL-H*3617(ROCA-070E04)	28,600 [8.4]	21,100 [6.2]	7,500 [2.2]	11.50	14.00	73	1,000 [472]	26,400 [7.7]	3.70	17,200 [5.0]	2.56	9.00
	RCFL-H*3617(ROLA-070E03)	28,400 [8.3]	20,500 [6.0]	7,900 [2.3]	11.50	14.00	73	900 [425]	26,400 [7.7]	3.78	17,000 [5.0]	2.60	9.00
	RCFL-H*3617(ROLA-070E04)	28,600 [8.4]	21,100 [6.2]	7,500 [2.2]	11.50	14.00	73	1,025 [484]	26,400 [7.7]	3.70	17,200 [5.0]	2.56	9.00
	RCFL-H*3621	28,200 [8.3]	20,750 [6.1]	7,450 [2.2]	10.50	13.00	73	1,000 [472]	27,000 [7.9]	3.52	17,700 [5.2]	2.46	9.00
	RCFL-H*3621(RGFE-06?MCK?)	28,600 [8.4]	21,100 [6.2]	7,500 [2.2]	11.50	13.50	73	1,000 [472]	26,600 [7.8]	3.64	17,300 [5.1]	2.52	9.00

① Highest sales volume tested combination required by D.O.E. test procedures.

[] Designates Metric Conversions

Performance Data AHRI Standard Conditions—RPNL- (cont.)

Model Numbers		AHRI Cooling Performance							AHRI Heating Performance (70°F [21°C] Indoor)				
		80°F [26.5°C] DB/67°F [19.5°C] WB Indoor Air 95°F [35°C] DB Outdoor Air							Outdoor Air 47°F [8.5°C] DB/ 43°F [6°C] WB DOE High Temp.		Outdoor Air 17°F [-8.5°C] DB/ 15°F [-9.5°C] WB DOE Low Temp.		DOE Region IV HSPF
Outdoor Unit RPNL-	Indoor Coil and/or Air Handler	Total Capacity BTU/H [kW]	Net Sens. BTU/H [kW]	Net Latent BTU/H [kW]	EER	SEER	Snd. Rate dB	Indoor CFM [L/s]	BTU/H [kW]	COP	BTU/H [kW]	COP	
Rev. 5/17/2012	RCFL-H*3621(RGFE-07?MCK?)	28,400 [8.3]	20,950 [6.1]	7,450 [2.2]	11.00	13.50	73	1,025 [484]	26,600 [7.8]	3.62	17,400 [5.1]	2.52	9.00
	RCFL-H*3621(RGFE-09?ZCM?)	28,800 [8.4]	21,250 [6.2]	7,550 [2.2]	11.50	14.00	73	975 [460]	26,400 [7.7]	3.72	17,100 [5.0]	2.58	9.00
	RCFL-H*3621(RGFE-10?ZCM?)	28,800 [8.4]	21,250 [6.2]	7,550 [2.2]	11.50	14.00	73	1,000 [472]	26,400 [7.7]	3.72	17,100 [5.0]	2.56	9.00
	RCFL-H*3621(RGFG-06?MCK?)	28,600 [8.4]	21,000 [6.2]	7,600 [2.2]	11.00	13.50	73	1,000 [472]	26,600 [7.8]	3.64	17,300 [5.1]	2.52	9.00
	RCFL-H*3621(RGFG-07?MCK?)	28,400 [8.3]	21,000 [6.2]	7,400 [2.2]	11.00	13.50	73	1,000 [472]	26,000 [7.6]	3.52	16,600 [4.9]	2.40	9.00
	RCFL-H*3621(RGFG-09?ZCM?)	28,800 [8.4]	21,200 [6.2]	7,600 [2.2]	11.50	14.00	73	975 [460]	26,400 [7.7]	3.74	17,100 [5.0]	2.58	9.00
	RCFL-H*3621(RGFG-10?ZCM?)	28,800 [8.4]	21,200 [6.2]	7,600 [2.2]	11.50	14.00	73	1,000 [472]	26,200 [7.7]	3.66	16,800 [4.9]	2.52	9.00
	RCFL-H*3621(RGGE-06?MCK?)	28,600 [8.4]	21,100 [6.2]	7,500 [2.2]	11.00	13.50	73	1,025 [484]	26,600 [7.8]	3.68	17,200 [5.0]	2.54	9.00
	RCFL-H*3621(RGGE-07?MCK?)	28,600 [8.4]	21,100 [6.2]	7,500 [2.2]	11.00	13.50	73	1,025 [484]	26,600 [7.8]	3.66	17,300 [5.1]	2.54	9.00
	RCFL-H*3621(RGGE-09?ZCM?)	28,800 [8.4]	21,250 [6.2]	7,550 [2.2]	11.50	14.00	73	1,000 [472]	26,400 [7.7]	3.74	17,100 [5.0]	2.58	9.00
	RCFL-H*3621(RGGE-10?ZCM?)	28,800 [8.4]	21,250 [6.2]	7,550 [2.2]	11.50	14.00	73	1,000 [472]	26,400 [7.7]	3.72	17,100 [5.0]	2.58	9.00
	031JAZ	RCFL-H*3621(RGJF-06?MCK?)	28,600 [8.4]	21,100 [6.2]	7,500 [2.2]	11.00	13.50	73	1,025 [484]	26,600 [7.8]	3.68	17,200 [5.0]	2.54
RCFL-H*3621(RGJF-07?MCK?)		28,600 [8.4]	21,100 [6.2]	7,500 [2.2]	11.00	13.50	73	1,025 [484]	26,600 [7.8]	3.66	17,300 [5.1]	2.54	9.00
RCFL-H*3621(RGJF-09?ZCM?)		28,800 [8.4]	21,250 [6.2]	7,550 [2.2]	11.50	14.00	73	1,000 [472]	26,400 [7.7]	3.74	17,100 [5.0]	2.58	9.00
RCFL-H*3621(RGJF-10?ZCM?)		28,800 [8.4]	21,250 [6.2]	7,550 [2.2]	11.50	14.00	73	1,000 [472]	26,400 [7.7]	3.72	17,100 [5.0]	2.58	9.00
RCFL-H*3621(RGLE-07?BRQ?)		28,800 [8.4]	21,250 [6.2]	7,550 [2.2]	11.50	14.00	73	1,025 [484]	26,400 [7.7]	3.76	17,000 [5.0]	2.60	9.00
RCFL-H*3621(RGLT-07?AMK?)		28,600 [8.4]	20,900 [6.1]	7,700 [2.3]	11.50	14.00	73	925 [437]	26,000 [7.6]	3.77	16,800 [4.9]	2.60	9.00
RCFL-H*3621(RGLT-07?BRQ?)		28,800 [8.4]	21,200 [6.2]	7,600 [2.2]	12.00	14.50	73	975 [460]	26,400 [7.7]	3.76	17,000 [5.0]	2.60	9.00
RCFL-H*3621(RGLT-10?BRM?)		29,000 [8.5]	21,400 [6.3]	7,600 [2.2]	12.00	14.50	73	975 [460]	26,200 [7.7]	3.78	17,000 [5.0]	2.60	9.00
RCFL-H*3621(RGPE-05?BMK?)		28,600 [8.4]	21,100 [6.2]	7,500 [2.2]	11.50	14.00	73	975 [460]	26,600 [7.8]	3.68	17,200 [5.0]	2.56	9.00
RCFL-H*3621(RGPE-07?BRQ?)		28,800 [8.4]	21,250 [6.2]	7,550 [2.2]	11.50	14.00	73	1,025 [484]	26,400 [7.7]	3.76	17,000 [5.0]	2.60	9.00
RCFL-H*3621(RGPT-05?BMK?)		28,800 [8.4]	21,600 [6.3]	7,200 [2.1]	11.00	13.50	73	1,075 [507]	26,800 [7.9]	3.60	17,400 [5.1]	2.50	9.00
RCFL-H*3621(RGPT-07?AMK?)		28,800 [8.4]	21,500 [6.3]	7,300 [2.1]	11.00	13.50	73	1,050 [495]	26,600 [7.8]	3.64	17,300 [5.1]	2.52	9.00
RCFL-H*3621(RGPT-07?BRQ?)		29,000 [8.5]	21,600 [6.3]	7,400 [2.2]	12.00	14.50	73	1,000 [472]	26,200 [7.7]	3.76	16,800 [4.9]	2.59	9.00
RCFL-H*3621(RGPT-10?BRM?)		29,000 [8.5]	21,400 [6.3]	7,600 [2.2]	12.00	14.50	73	975 [460]	26,200 [7.7]	3.78	17,000 [5.0]	2.60	9.00
RCFL-H*3621(RGRM-04?MAE?)		28,400 [8.3]	20,950 [6.1]	7,450 [2.2]	11.00	13.00	73	1,025 [484]	26,800 [7.9]	3.58	17,500 [5.1]	2.48	9.00
RCFL-H*3621(RGRM-06?MAE?)		28,400 [8.3]	20,950 [6.1]	7,450 [2.2]	11.00	13.00	73	1,000 [472]	26,600 [7.8]	3.62	17,400 [5.1]	2.50	9.00
RCFL-H*3621(RGRM-07?YBG?)	28,200 [8.3]	20,600 [6.0]	7,600 [2.2]	11.00	13.00	73	975 [460]	26,800 [7.9]	3.60	17,400 [5.1]	2.50	9.00	
RCFL-H*3621(RGTM-06?MAE?)	28,600 [8.4]	21,100 [6.2]	7,500 [2.2]	11.00	13.50	73	1,025 [484]	26,600 [7.8]	3.64	17,300 [5.1]	2.52	9.00	

① Highest sales volume tested combination required by D.O.E. test procedures.

[] Designates Metric Conversions



Performance Data AHRI Standard Conditions—RPNL- (cont.)

Model Numbers		AHRI Cooling Performance							AHRI Heating Performance (70°F [21°C] Indoor)				
		80°F [26.5°C] DB/67°F [19.5°C] WB Indoor Air 95°F [35°C] DB Outdoor Air							Outdoor Air 47°F [8.5°C] DB/ 43°F [6°C] WB DOE High Temp.		Outdoor Air 17°F [-8.5°C] DB/ 15°F [-9.5°C] WB DOE Low Temp.		DOE Region IV HSPF
Outdoor Unit RPNL-	Indoor Coil and/or Air Handler	Total Capacity BTU/H [kW]	Net Sens. BTU/H [kW]	Net Latent BTU/H [kW]	EER	SEER	Snd. Rate dB	Indoor CFM [L/s]	BTU/H [kW]	COP	BTU/H [kW]	COP	
Rev. 5/17/2012	RCFL-H*3621(RGTM-07?RBG?)	29,000 [8.5]	21,650 [6.3]	7,350 [2.2]	11.50	14.00	73	1,050 [495]	26,400 [7.7]	3.72	17,100 [5.0]	2.58	9.00
	RCFL-H*3621(RGTM-09?ZAJ?)	28,800 [8.4]	21,250 [6.2]	7,550 [2.2]	11.50	14.00	73	975 [460]	26,400 [7.7]	3.76	17,000 [5.0]	2.60	9.00
	RCFL-H*3621(RHWB-04WMX36A)	28,600 [8.4]	21,200 [6.2]	7,400 [2.2]	11.50	14.00	73	975 [460]	25,600 [7.5]	3.54	16,200 [4.7]	2.40	9.00
	RCFL-H*3621(RHWB-06WMX48A)	28,200 [8.3]	20,400 [6.0]	7,800 [2.3]	11.50	14.00	73	900 [425]	25,400 [7.4]	3.58	16,100 [4.7]	2.42	9.00
	RCFL-H*3621(ROCA-070E03)	28,800 [8.4]	21,250 [6.2]	7,550 [2.2]	11.50	14.00	73	1,000 [472]	26,400 [7.7]	3.72	17,100 [5.0]	2.58	9.00
	RCFL-H*3621(ROCA-070E04)	28,800 [8.4]	21,250 [6.2]	7,550 [2.2]	11.50	14.00	73	1,000 [472]	26,400 [7.7]	3.72	17,100 [5.0]	2.58	9.00
	RCFL-H*3621(ROLA-070E03)	28,800 [8.4]	21,250 [6.2]	7,550 [2.2]	11.50	14.00	73	975 [460]	26,400 [7.7]	3.74	17,100 [5.0]	2.58	9.00
	RCFL-H*3621(ROLA-070E04)	28,800 [8.4]	21,250 [6.2]	7,550 [2.2]	11.50	14.00	73	1,025 [484]	26,400 [7.7]	3.72	17,100 [5.0]	2.58	9.00
	RCFL-H*3621(ROLA-115E05)	29,000 [8.5]	21,650 [6.3]	7,350 [2.2]	11.50	14.00	73	1,050 [495]	26,400 [7.7]	3.72	17,100 [5.0]	2.56	9.00
	RBHP-21(RCHL-36A1)	28,000 [8.2]	20,700 [6.1]	7,300 [2.1]	11.50	14.00	73	1,000 [472]	27,400 [8.0]	3.56	17,000 [5.0]	2.40	9.00
	RHKL-HM3617(RCSL-H*3617)	28,800 [8.4]	21,250 [6.2]	7,550 [2.2]	11.50	14.00	73	1,025 [484]	26,400 [7.7]	3.74	17,100 [5.0]	2.58	9.50
	RHLL-HM3617(RCSL-H*3617)	28,800 [8.4]	21,250 [6.2]	7,550 [2.2]	12.00	14.50	73	1,000 [472]	26,400 [7.7]	3.76	17,000 [5.0]	2.60	9.50
031JAZ	RHSL-HM3617(RCSL-H*3617) ①	35,200 [10.3]	25,550 [7.5]	9,650 [2.8]	11.00	13.00	76	1,175 [554]	37,200 [10.9]	3.58	23,800 [7.0]	2.46	9.00
	RCFL-H*3617	34,400 [10.1]	24,750 [7.3]	9,650 [2.8]	11.00	13.00	76	1,075 [507]	36,400 [10.7]	3.60	23,600 [6.9]	2.46	8.50
	RCFL-H*3617(RGGE-06?MCK?)	36,000 [10.5]	26,900 [7.9]	9,100 [2.7]	11.50	13.50	76	1,200 [566]	37,200 [10.9]	3.62	23,600 [6.9]	2.48	9.00
	RCFL-H*3617(RGGE-07?MCK?)	36,000 [10.5]	26,900 [7.9]	9,100 [2.7]	11.00	13.50	76	1,200 [566]	37,200 [10.9]	3.60	23,800 [7.0]	2.46	9.00
	RCFL-H*3617(RGJF-06?MCK?)	36,000 [10.5]	26,900 [7.9]	9,100 [2.7]	11.50	13.50	76	1,200 [566]	37,200 [10.9]	3.62	23,600 [6.9]	2.48	9.00
	RCFL-H*3617(RGJF-07?MCK?)	36,000 [10.5]	26,900 [7.9]	9,100 [2.7]	11.00	13.50	76	1,200 [566]	37,200 [10.9]	3.60	23,800 [7.0]	2.46	9.00
	RCFL-H*3617(RGLE-07?AMK?)	36,200 [10.6]	27,050 [7.9]	9,150 [2.7]	11.50	13.50	76	1,200 [566]	37,000 [10.8]	3.64	23,600 [6.9]	2.50	9.00
	RCFL-H*3617(RGLT-07?AMK?)	35,800 [10.5]	26,100 [7.6]	9,700 [2.8]	11.50	14.00	76	1,150 [543]	36,600 [10.7]	3.72	23,600 [6.9]	2.60	9.00
	RCFL-H*3617(RGPE-05?BMK?)	36,000 [10.5]	26,900 [7.9]	9,100 [2.7]	11.50	13.50	76	1,200 [566]	37,200 [10.9]	3.60	23,800 [7.0]	2.46	9.00
	RCFL-H*3617(RGPE-07?AMK?)	36,200 [10.6]	27,200 [8.0]	9,000 [2.6]	11.50	13.50	76	1,225 [578]	37,000 [10.8]	3.62	23,600 [6.9]	2.48	9.00
	RCFL-H*3617(RGPT-07?AMK?)	36,000 [10.5]	26,750 [7.8]	9,250 [2.7]	11.50	13.50	76	1,175 [554]	37,000 [10.8]	3.62	23,600 [6.9]	2.48	9.00
	RCFL-H*3617(RHWB-04WMX36A)	36,000 [10.5]	26,100 [7.6]	9,900 [2.9]	11.50	14.00	76	1,150 [543]	36,800 [10.8]	3.66	23,800 [7.0]	2.55	9.00
	RCFL-H*3617(RHWB-06WMX48A)	36,200 [10.6]	26,500 [7.8]	9,700 [2.8]	11.50	14.00	76	1,200 [566]	36,800 [10.8]	3.63	24,000 [7.0]	2.54	9.00
	RCFL-H*3617(ROCA-070E03)	36,000 [10.5]	26,850 [7.9]	9,150 [2.7]	11.50	13.50	76	1,200 [566]	37,000 [10.8]	3.64	23,600 [6.9]	2.48	9.00
	RCFL-H*3617(ROCA-070E04)	36,000 [10.5]	26,850 [7.9]	9,150 [2.7]	11.50	13.50	76	1,200 [566]	37,000 [10.8]	3.64	23,600 [6.9]	2.48	9.00
	RCFL-H*3617(ROLA-070E03)	36,200 [10.6]	26,900 [7.9]	9,300 [2.7]	11.50	14.00	76	1,175 [554]	36,800 [10.8]	3.70	23,400 [6.9]	2.52	9.00
RCFL-H*3617(ROLA-070E04)	36,200 [10.6]	26,900 [7.9]	9,300 [2.7]	11.50	14.00	76	1,175 [554]	36,800 [10.8]	3.70	23,400 [6.9]	2.52	9.00	

① Highest sales volume tested combination required by D.O.E. test procedures.

[] Designates Metric Conversions



Performance Data AHRI Standard Conditions—RPNL- (cont.)

Model Numbers		AHRI Cooling Performance							AHRI Heating Performance (70°F [21°C] Indoor)				
		80°F [26.5°C] DB/67°F [19.5°C] WB Indoor Air 95°F [35°C] DB Outdoor Air							Outdoor Air 47°F [8.5°C] DB/ 43°F [6°C] WB DOE High Temp.		Outdoor Air 17°F [-8.5°C] DB/ 15°F [-9.5°C] WB DOE Low Temp.		DOE Region IV HSPF
Outdoor Unit RPNL-	Indoor Coil and/or Air Handler	Total Capacity BTU/H [kW]	Net Sens. BTU/H [kW]	Net Latent BTU/H [kW]	EER	SEER	Snd. Rate dB	Indoor CFM [L/s]	BTU/H [kW]	COP	BTU/H [kW]	COP	
Rev. 5/17/2012	RCFL-H*3621	34,400 [10.1]	24,750 [7.3]	9,650 [2.8]	11.00	13.50	76	1,075 [507]	36,400 [10.7]	3.60	23,600 [6.9]	2.46	8.50
	RCFL-H*3621(RGFE-09?ZCM?)	36,200 [10.6]	27,050 [7.9]	9,150 [2.7]	11.50	14.00	76	1,200 [566]	36,800 [10.8]	3.66	23,400 [6.9]	2.50	9.00
	RCFL-H*3621(RGFE-10?ZCM?)	36,200 [10.6]	27,150 [8.0]	9,050 [2.7]	11.50	13.50	76	1,225 [578]	37,000 [10.8]	3.64	23,600 [6.9]	2.50	9.00
	RCFL-H*3621(RGFG-09?ZCM?)	35,800 [10.5]	26,600 [7.8]	9,200 [2.7]	11.50	13.50	76	1,200 [566]	36,800 [10.8]	3.66	23,400 [6.9]	2.50	9.00
	RCFL-H*3621(RGFG-10?ZCM?)	35,400 [10.4]	25,800 [7.6]	9,600 [2.8]	11.50	13.50	76	1,200 [566]	36,000 [10.5]	3.52	23,200 [6.8]	2.44	9.00
	RCFL-H*3621(RGGE-06?MCK?)	36,000 [10.5]	26,850 [7.9]	9,150 [2.7]	11.50	13.50	76	1,200 [566]	37,000 [10.8]	3.62	23,600 [6.9]	2.48	9.00
	RCFL-H*3621(RGGE-07?MCK?)	36,000 [10.5]	26,900 [7.9]	9,100 [2.7]	11.50	13.50	76	1,200 [566]	37,200 [10.9]	3.60	23,800 [7.0]	2.46	9.00
	RCFL-H*3621(RGGE-09?ZCM?)	36,400 [10.7]	27,300 [8.0]	9,100 [2.7]	11.50	14.00	76	1,225 [578]	36,800 [10.8]	3.68	23,400 [6.9]	2.52	9.00
	RCFL-H*3621(RGGE-10?ZCM?)	36,200 [10.6]	27,000 [7.9]	9,200 [2.7]	11.50	14.00	76	1,200 [566]	36,800 [10.8]	3.68	23,400 [6.9]	2.50	9.00
	RCFL-H*3621(RGJF-06?MCK?)	36,000 [10.5]	26,850 [7.9]	9,150 [2.7]	11.50	13.50	76	1,200 [566]	37,000 [10.8]	3.62	23,600 [6.9]	2.48	9.00
	RCFL-H*3621(RGJF-07?MCK?)	36,000 [10.5]	26,900 [7.9]	9,100 [2.7]	11.50	13.50	76	1,200 [566]	37,200 [10.9]	3.60	23,800 [7.0]	2.46	9.00
	RCFL-H*3621(RGJF-09?ZCM?)	36,400 [10.7]	27,300 [8.0]	9,100 [2.7]	11.50	14.00	76	1,225 [578]	36,800 [10.8]	3.68	23,400 [6.9]	2.52	9.00
	RCFL-H*3621(RGJF-10?ZCM?)	36,200 [10.6]	27,000 [7.9]	9,200 [2.7]	11.50	14.00	76	1,200 [566]	36,800 [10.8]	3.68	23,400 [6.9]	2.50	9.00
	037CAZ/ DAZ/JAZ	RCFL-H*3621(RGLE-07?AMK?)	36,200 [10.6]	27,050 [7.9]	9,150 [2.7]	11.50	14.00	76	1,200 [566]	37,000 [10.8]	3.66	23,600 [6.9]	2.50
RCFL-H*3621(RGLE-07?BRQ?)		36,600 [10.7]	27,500 [8.1]	9,100 [2.7]	12.00	14.00	76	1,225 [578]	36,800 [10.8]	3.72	23,200 [6.8]	2.54	9.00
RCFL-H*3621(RGLE-10?BRM?)		36,600 [10.7]	27,350 [8.0]	9,250 [2.7]	12.00	14.50	76	1,200 [566]	36,600 [10.7]	3.74	23,200 [6.8]	2.56	9.00
RCFL-H*3621(RGLT-07?AMK?)		35,800 [10.5]	26,100 [7.6]	9,700 [2.8]	11.50	14.00	76	1,150 [543]	36,600 [10.7]	3.73	23,600 [6.9]	2.60	9.00
RCFL-H*3621(RGLT-07?BRQ?)		35,600 [10.4]	25,900 [7.6]	9,700 [2.8]	11.50	14.00	76	1,200 [566]	36,600 [10.7]	3.69	23,800 [7.0]	2.58	9.00
RCFL-H*3621(RGLT-10?BRM?)		36,400 [10.7]	27,050 [7.9]	9,350 [2.7]	12.00	14.50	76	1,175 [554]	36,600 [10.7]	3.72	23,200 [6.8]	2.54	9.00
RCFL-H*3621(RGPE-05?BMK?)		36,000 [10.5]	26,850 [7.9]	9,150 [2.7]	11.50	13.50	76	1,200 [566]	37,000 [10.8]	3.62	23,600 [6.9]	2.48	9.00
RCFL-H*3621(RGPE-07?AMK?)		36,200 [10.6]	27,200 [8.0]	9,000 [2.6]	11.50	13.50	76	1,225 [578]	37,000 [10.8]	3.64	23,600 [6.9]	2.48	9.00
RCFL-H*3621(RGPE-07?BRQ?)		36,600 [10.7]	27,500 [8.1]	9,100 [2.7]	12.00	14.50	76	1,225 [578]	36,600 [10.7]	3.72	23,200 [6.8]	2.54	9.00
RCFL-H*3621(RGPE-10?BRM?)		36,600 [10.7]	27,500 [8.1]	9,100 [2.7]	12.00	14.50	76	1,225 [578]	36,600 [10.7]	3.72	23,200 [6.8]	2.54	9.00
RCFL-H*3621(RGPT-05?BMK?)		35,000 [10.3]	24,900 [7.3]	10,100 [3.0]	11.50	13.50	76	1,075 [507]	36,600 [10.7]	3.68	23,800 [7.0]	2.57	9.00
RCFL-H*3621(RGPT-07?AMK?)		35,400 [10.4]	25,700 [7.5]	9,700 [2.8]	11.50	13.50	76	1,200 [566]	37,000 [10.8]	3.60	24,200 [7.1]	2.52	9.00
RCFL-H*3621(RGPT-07?BRQ?)		35,800 [10.5]	26,100 [7.6]	9,700 [2.8]	11.50	14.00	76	1,175 [554]	36,600 [10.7]	3.71	23,800 [7.0]	2.59	9.00
RCFL-H*3621(RGPT-10?BRM?)		35,800 [10.5]	26,100 [7.6]	9,700 [2.8]	11.50	14.00	76	1,175 [554]	36,600 [10.7]	3.72	23,600 [6.9]	2.60	9.00
RCFL-H*3621(RGRM-07?YBG?)	35,400 [10.4]	25,700 [7.5]	9,700 [2.8]	11.50	13.50	76	1,050 [495]	36,400 [10.7]	3.66	23,200 [6.8]	2.50	9.00	
RCFL-H*3621(RGRM-09?ZAJ?)	36,200 [10.6]	27,150 [8.0]	9,050 [2.7]	11.50	13.50	76	1,225 [578]	37,000 [10.8]	3.62	23,600 [6.9]	2.48	9.00	

① Highest sales volume tested combination required by D.O.E. test procedures.

[] Designates Metric Conversions



Performance Data AHRI Standard Conditions—RPNL- (cont.)

Model Numbers		AHRI Cooling Performance							AHRI Heating Performance (70°F [21°C] Indoor)				
		80°F [26.5°C] DB/67°F [19.5°C] WB Indoor Air 95°F [35°C] DB Outdoor Air							Outdoor Air 47°F [8.5°C] DB/ 43°F [6°C] WB DOE High Temp.		Outdoor Air 17°F [-8.5°C] DB/ 15°F [-9.5°C] WB DOE Low Temp.		DOE Region IV HSPF
Outdoor Unit RPNL-	Indoor Coil and/or Air Handler	Total Capacity BTU/H [kW]	Net Sens. BTU/H [kW]	Net Latent BTU/H [kW]	EER	SEER	Snd. Rate dB	Indoor CFM [L/s]	BTU/H [kW]	COP	BTU/H [kW]	COP	
Rev. 5/17/2012	RCFL-H*3621(RGRM-10?ZAJ?)	36,000 [10.5]	26,600 [7.8]	9,400 [2.8]	11.50	14.00	76	1,150 [543]	37,000 [10.8]	3.66	23,400 [6.9]	2.50	9.00
	RCFL-H*3621(RGTM-07?RBG?)	36,000 [10.5]	26,400 [7.7]	9,600 [2.8]	12.00	14.50	76	1,125 [531]	36,600 [10.7]	3.74	23,200 [6.8]	2.56	9.00
	RCFL-H*3621(RGTM-09?ZAJ?)	35,800 [10.5]	26,000 [7.6]	9,800 [2.9]	12.00	14.50	76	1,100 [519]	36,600 [10.7]	3.76	23,200 [6.8]	2.56	9.00
	RCFL-H*3621(RHWB-04WMX36A)	36,000 [10.5]	26,100 [7.6]	9,900 [2.9]	11.50	14.00	76	1,150 [543]	36,800 [10.8]	3.66	23,800 [7.0]	2.56	9.00
	RCFL-H*3621(RHWB-06WMX48A)	36,200 [10.6]	26,500 [7.8]	9,700 [2.8]	11.50	14.00	76	1,200 [566]	36,800 [10.8]	3.64	24,000 [7.0]	2.54	9.00
	RCFL-H*3621(ROCA-070E03)	36,200 [10.6]	27,050 [7.9]	9,150 [2.7]	11.50	13.50	76	1,200 [566]	37,000 [10.8]	3.66	23,600 [6.9]	2.50	9.00
	RCFL-H*3621(ROCA-070E04)	36,200 [10.6]	27,050 [7.9]	9,150 [2.7]	11.50	13.50	76	1,200 [566]	37,000 [10.8]	3.66	23,600 [6.9]	2.50	9.00
	RCFL-H*3621(ROLA-070E03)	36,200 [10.6]	26,850 [7.9]	9,350 [2.7]	11.50	14.00	76	1,175 [554]	36,800 [10.8]	3.70	23,400 [6.9]	2.54	9.00
	RCFL-H*3621(ROLA-070E04)	36,200 [10.6]	26,850 [7.9]	9,350 [2.7]	11.50	14.00	76	1,175 [554]	36,800 [10.8]	3.70	23,400 [6.9]	2.54	9.00
	RCFL-H*3621(ROLA-115E05)	36,400 [10.7]	27,200 [8.0]	9,200 [2.7]	11.50	14.00	76	1,200 [566]	36,600 [10.7]	3.72	23,200 [6.8]	2.54	9.00
	RBHP-21(RCHL-36A1)	35,600 [10.4]	26,150 [7.7]	9,450 [2.8]	12.00	14.50	76	1,200 [566]	36,200 [10.6]	3.66	23,200 [6.8]	2.50	9.00
	RHKL-HM3617(RCSL-H*3617)	36,600 [10.7]	27,500 [8.1]	9,100 [2.7]	11.50	14.00	76	1,225 [578]	36,800 [10.8]	3.70	23,400 [6.9]	2.52	9.00
	RHLL-HM3617(RCSL-H*3617)	36,600 [10.7]	27,350 [8.0]	9,250 [2.7]	12.00	14.50	76	1,200 [566]	36,600 [10.7]	3.72	23,200 [6.8]	2.54	9.00
	037CAZ/ DAZ/JAZ	RHSL-HM4221(RCSL-H*4821) ①	42,500 [12.5]	30,200 [8.8]	12,300 [3.6]	11.00	13.00	76	1,400 [661]	43,500 [12.7]	3.68	28,600 [8.4]	2.64
RCFL-H*4821		41,500 [12.2]	29,500 [8.6]	12,250 [3.6]	10.50	13.00	76	1,400 [661]	43,500 [12.7]	3.60	28,800 [8.4]	2.64	9.00
RCFL-H*4821(RGFE-09?ZCM?)		42,500 [12.5]	30,300 [8.9]	12,200 [3.6]	11.00	13.00	76	1,400 [661]	43,500 [12.7]	3.70	28,400 [8.3]	2.66	9.00
RCFL-H*4821(RGFG-09?ZCM?)		42,000 [12.3]	30,000 [8.8]	12,000 [3.5]	11.00	13.00	76	1,400 [661]	43,500 [12.7]	3.72	28,400 [8.3]	2.66	9.00
RCFL-H*4821(RGFG-10?ZCM?)		42,000 [12.3]	30,000 [8.8]	12,000 [3.5]	11.00	13.00	76	1,400 [661]	43,500 [12.7]	3.70	28,400 [8.3]	2.66	9.00
RCFL-H*4821(RGGE-09?ZCM?)		42,500 [12.5]	30,300 [8.9]	12,200 [3.6]	11.00	13.50	76	1,400 [661]	43,000 [12.6]	3.70	28,400 [8.3]	2.68	9.00
RCFL-H*4821(RGGE-10?ZCM?)		42,500 [12.5]	30,300 [8.9]	12,200 [3.6]	11.00	13.00	76	1,400 [661]	43,500 [12.7]	3.70	28,400 [8.3]	2.66	9.00
RCFL-H*4821(RGJF-09?ZCM?)		42,500 [12.5]	30,300 [8.9]	12,200 [3.6]	11.00	13.50	76	1,400 [661]	43,000 [12.6]	3.70	28,200 [8.3]	2.68	9.00
RCFL-H*4821(RGJF-10?ZCM?)		42,500 [12.5]	30,300 [8.9]	12,200 [3.6]	11.00	13.00	76	1,400 [661]	43,500 [12.7]	3.70	28,400 [8.3]	2.68	9.00
RCFL-H*4821(RGLE-10?BRM?)		42,500 [12.5]	30,200 [8.8]	12,300 [3.6]	11.50	14.00	76	1,400 [661]	43,000 [12.6]	3.74	28,000 [8.2]	2.74	9.00
RCFL-H*4821(RGLT-07?AMK?)		42,500 [12.5]	29,800 [8.7]	12,700 [3.7]	11.00	13.00	76	1,325 [625]	43,000 [12.6]	3.78	28,000 [8.2]	2.72	9.00
RCFL-H*4821(RGLT-07?BRQ?)		43,000 [12.6]	31,050 [9.1]	11,950 [3.5]	11.00	13.50	76	1,450 [684]	43,000 [12.6]	3.76	28,200 [8.3]	2.70	9.00
RCFL-H*4821(RGLT-10?BRM?)		42,500 [12.5]	30,250 [8.9]	12,250 [3.6]	11.00	13.50	76	1,425 [672]	43,000 [12.6]	3.78	28,200 [8.3]	2.70	9.00
RCFL-H*4821(RGPE-07?BRQ?)		42,500 [12.5]	30,200 [8.8]	12,300 [3.6]	11.00	13.50	76	1,400 [661]	43,000 [12.6]	3.70	28,200 [8.3]	2.72	9.00
RCFL-H*4821(RGPE-10?BRM?)		42,500 [12.5]	30,200 [8.8]	12,300 [3.6]	11.00	13.50	76	1,400 [661]	43,000 [12.6]	3.70	28,200 [8.3]	2.72	9.00
RCFL-H*4821(RGPT-07?AMK?)		42,000 [12.3]	29,550 [8.7]	12,450 [3.6]	11.00	13.00	76	1,350 [637]	43,500 [12.7]	3.70	28,600 [8.4]	2.66	9.00

① Highest sales volume tested combination required by D.O.E. test procedures.

[] Designates Metric Conversions



Performance Data AHRI Standard Conditions—RPNL- (cont.)

Model Numbers		AHRI Cooling Performance							AHRI Heating Performance (70°F [21°C] Indoor)				
		80°F [26.5°C] DB/67°F [19.5°C] WB Indoor Air 95°F [35°C] DB Outdoor Air							Outdoor Air 47°F [8.5°C] DB/ 43°F [6°C] WB DOE High Temp.		Outdoor Air 17°F [-8.5°C] DB/ 15°F [-9.5°C] WB DOE Low Temp.		DOE Region IV HSPF
Outdoor Unit RPNL-	Indoor Coil and/or Air Handler	Total Capacity BTU/H [kW]	Net Sens. BTU/H [kW]	Net Latent BTU/H [kW]	EER	SEER	Snd. Rate dB	Indoor CFM [L/s]	BTU/H [kW]	COP	BTU/H [kW]	COP	
Rev. 5/17/2012	RCFL-H*4821(RGPT-07?BRQ?)	43,000 [12.6]	31,000 [9.1]	12,000 [3.5]	11.50	13.50	76	1,450 [684]	43,000 [12.6]	3.78	28,200 [8.3]	2.72	9.00
	RCFL-H*4821(RGPT-10?BRM?)	42,500 [12.5]	30,200 [8.8]	12,300 [3.6]	11.50	13.50	76	1,425 [672]	43,000 [12.6]	3.78	28,200 [8.3]	2.72	9.00
	RCFL-H*4821(RGRM-09?ZAJ?)	41,500 [12.2]	29,500 [8.6]	12,000 [3.5]	11.00	13.00	76	1,400 [661]	43,500 [12.7]	3.60	28,600 [8.4]	2.64	9.00
	RCFL-H*4821(RGRM-10?ZAJ?)	41,500 [12.2]	29,500 [8.6]	12,000 [3.5]	11.00	13.00	76	1,425 [672]	43,500 [12.7]	3.60	28,800 [8.4]	2.62	9.00
	RCFL-H*4821(RGRM-12?RAJ?)	42,000 [12.3]	29,900 [8.8]	12,100 [3.5]	11.00	13.00	76	1,425 [672]	43,500 [12.7]	3.60	28,400 [8.3]	2.66	9.00
	RCFL-H*4821(RGTM-07?RBG?)	42,500 [12.5]	30,750 [9.0]	11,750 [3.4]	11.00	13.00	76	1,475 [696]	43,500 [12.7]	3.72	28,400 [8.3]	2.66	9.00
	RCFL-H*4821(RGTM-09?ZAJ?)	42,500 [12.5]	30,300 [8.9]	12,200 [3.6]	11.00	13.50	76	1,400 [661]	43,500 [12.7]	3.74	28,400 [8.3]	2.68	9.00
	RCFL-H*4821(RHWB-04WMX36A)	42,000 [12.3]	29,300 [8.6]	12,700 [3.7]	11.00	13.00	76	1,325 [625]	41,500 [12.2]	3.59	26,800 [7.9]	2.53	9.00
	RCFL-H*4821(RHWB-06WMX48A)	42,000 [12.3]	29,300 [8.6]	12,700 [3.7]	11.00	13.00	76	1,325 [625]	41,500 [12.2]	3.58	26,800 [7.9]	2.53	9.00
	RCFL-H*4821(ROLA-070E04)	42,500 [12.5]	30,250 [8.9]	12,250 [3.6]	11.00	13.50	76	1,375 [649]	43,000 [12.6]	3.78	28,200 [8.3]	2.72	9.00
RCFL-H*4821(ROLA-115E05)	42,500 [12.5]	30,250 [8.9]	12,250 [3.6]	11.00	13.50	76	1,400 [661]	43,000 [12.6]	3.78	28,200 [8.3]	2.72	9.00	
043CAZ/ DAZ/JAZ	RCFL-H*4824	41,500 [12.2]	29,500 [8.6]	12,250 [3.6]	10.50	13.00	76	1,400 [661]	43,500 [12.7]	3.60	28,800 [8.4]	2.64	9.00
	RCFL-H*4824(RGFE-09?ZCM?)	42,500 [12.5]	30,200 [8.8]	12,300 [3.6]	11.10	13.00	76	1,400 [661]	41,500 [12.2]	3.56	26,800 [7.9]	2.51	9.00
	RCFL-H*4824(RGFE-10?ZCM?)	42,500 [12.5]	30,200 [8.8]	12,300 [3.6]	11.00	13.00	76	1,425 [672]	42,000 [12.3]	3.54	27,000 [7.9]	2.50	8.50
	RCFL-H*4824(RGFE-12?RCM?)	43,000 [12.6]	31,000 [9.1]	12,000 [3.5]	11.00	13.50	76	1,450 [684]	41,500 [12.2]	3.60	26,800 [7.9]	2.54	9.00
	RCFL-H*4824(RGFG-09?ZCM?)	42,000 [12.3]	30,000 [8.8]	12,000 [3.5]	11.00	13.00	76	1,400 [661]	43,500 [12.7]	3.70	28,400 [8.3]	2.66	9.00
	RCFL-H*4824(RGFG-10?ZCM?)	42,500 [12.5]	30,200 [8.8]	12,300 [3.6]	11.00	13.00	76	1,400 [661]	41,500 [12.2]	3.56	26,800 [7.9]	2.51	8.50
	RCFL-H*4824(RGFG-12?RCM?)	42,500 [12.5]	30,600 [9.0]	11,900 [3.5]	11.00	13.50	76	1,450 [684]	43,000 [12.6]	3.74	28,400 [8.3]	2.68	9.00
	RCFL-H*4824(RGGE-09?ZCM?)	42,500 [12.5]	30,300 [8.9]	12,200 [3.6]	11.00	13.50	76	1,400 [661]	43,000 [12.6]	3.74	28,400 [8.3]	2.68	9.00
	RCFL-H*4824(RGGE-10?ZCM?)	42,500 [12.5]	30,300 [8.9]	12,200 [3.6]	11.00	13.00	76	1,400 [661]	43,500 [12.7]	3.70	28,400 [8.3]	2.66	9.00
	RCFL-H*4824(RGGE-12?RCM?)	42,500 [12.5]	30,200 [8.8]	12,300 [3.6]	11.00	13.50	76	1,375 [649]	43,000 [12.6]	3.74	28,000 [8.2]	2.72	9.00
	RCFL-H*4824(RGJF-09?ZCM?)	42,500 [12.5]	30,300 [8.9]	12,200 [3.6]	11.00	13.50	76	1,400 [661]	43,000 [12.6]	3.74	28,200 [8.3]	2.68	9.00
	RCFL-H*4824(RGJF-10?ZCM?)	42,500 [12.5]	30,300 [8.9]	12,200 [3.6]	11.00	13.00	76	1,400 [661]	43,500 [12.7]	3.70	28,400 [8.3]	2.68	9.00
	RCFL-H*4824(RGJF-12?RCM?)	42,500 [12.5]	30,200 [8.8]	12,300 [3.6]	11.00	13.50	76	1,375 [649]	43,000 [12.6]	3.80	28,000 [8.2]	2.72	9.00
	RCFL-H*4824(RGLE-10?BRM?)	42,500 [12.5]	30,200 [8.8]	12,300 [3.6]	11.50	14.00	76	1,400 [661]	43,000 [12.6]	3.80	28,000 [8.2]	2.74	9.00
	RCFL-H*4824(RGLE-12?ARM?)	42,500 [12.5]	30,200 [8.8]	12,300 [3.6]	11.50	14.00	76	1,425 [672]	43,000 [12.6]	3.80	28,000 [8.2]	2.74	9.00
	RCFL-H*4824(RGLT-07?BRQ?)	43,000 [12.6]	31,050 [9.1]	11,950 [3.5]	11.00	13.50	76	1,450 [684]	43,000 [12.6]	3.76	28,200 [8.3]	2.70	9.00
	RCFL-H*4824(RGLT-10?BRM?)	42,500 [12.5]	30,250 [8.9]	12,250 [3.6]	11.00	13.50	76	1,425 [672]	43,000 [12.6]	3.78	28,200 [8.3]	2.70	9.00
	RCFL-H*4824(RGLT-12?ARM?)	43,000 [12.6]	30,650 [9.0]	12,350 [3.6]	11.50	14.00	76	1,375 [649]	43,000 [12.6]	3.82	28,000 [8.2]	2.74	9.00

① Highest sales volume tested combination required by D.O.E. test procedures.

[] Designates Metric Conversions



Performance Data AHRI Standard Conditions—RPNL- (cont.)

Model Numbers		AHRI Cooling Performance							AHRI Heating Performance (70°F [21°C] Indoor)					
		80°F [26.5°C] DB/67°F [19.5°C] WB Indoor Air 95°F [35°C] DB Outdoor Air							Outdoor Air 47°F [8.5°C] DB/ 43°F [6°C] WB DOE High Temp.		Outdoor Air 17°F [-8.5°C] DB/ 15°F [-9.5°C] WB DOE Low Temp.		DOE Region IV HSPF	
Outdoor Unit RPNL-	Indoor Coil and/or Air Handler	Total Capacity BTU/H [kW]	Net Sens. BTU/H [kW]	Net Latent BTU/H [kW]	EER	SEER	Snd. Rate dB	Indoor CFM [L/s]	BTU/H [kW]	COP	BTU/H [kW]	COP		
Rev. 5/17/2012	RCFL-H*4824(RGPE-07?BRQ?)	42,500 [12.5]	30,250 [8.9]	12,250 [3.6]	11.00	13.50	76	1,400 [661]	43,000 [12.6]	3.74	28,200 [8.3]	2.72	9.00	
	RCFL-H*4824(RGPE-10?BRM?)	42,500 [12.5]	30,250 [8.9]	12,250 [3.6]	11.00	13.50	76	1,400 [661]	43,000 [12.6]	3.74	28,200 [8.3]	2.72	9.00	
	RCFL-H*4824(RGPE-12?ARM?)	42,500 [12.5]	30,200 [8.8]	12,300 [3.6]	11.00	13.50	76	1,425 [672]	43,000 [12.6]	3.80	28,000 [8.2]	2.74	9.00	
	RCFL-H*4824(RGPT-07?BRQ?)	43,000 [12.6]	30,700 [9.0]	12,300 [3.6]	11.50	13.50	76	1,425 [672]	43,000 [12.6]	3.76	28,200 [8.3]	2.70	9.00	
	RCFL-H*4824(RGPT-10?BRM?)	42,500 [12.5]	30,200 [8.8]	12,300 [3.6]	11.50	13.50	76	1,425 [672]	43,000 [12.6]	3.78	28,200 [8.3]	2.72	9.00	
	RCFL-H*4824(RGPT-12?ARM?)	43,000 [12.6]	30,650 [9.0]	12,350 [3.6]	11.50	14.00	76	1,375 [649]	43,000 [12.6]	3.84	28,000 [8.2]	2.74	9.00	
	RCFL-H*4824(RGRM-09?ZAJ?)	41,500 [12.2]	29,500 [8.6]	12,000 [3.5]	10.50	13.00	76	1,400 [661]	43,500 [12.7]	3.80	28,600 [8.4]	2.62	9.00	
	RCFL-H*4824(RGRM-10?ZAJ?)	41,500 [12.2]	29,500 [8.6]	12,000 [3.5]	10.50	13.00	76	1,425 [672]	43,500 [12.7]	3.60	28,800 [8.4]	2.62	9.00	
	RCFL-H*4824(RGRM-12?RAJ?)	42,000 [12.3]	29,900 [8.8]	12,100 [3.5]	10.50	13.00	76	1,425 [672]	43,500 [12.7]	3.60	28,400 [8.3]	2.66	9.00	
	043CAZ/ DAZ/JAZ	RCFL-H*4824(RGTM-07?RBG?)	42,500 [12.5]	30,750 [9.0]	11,750 [3.4]	11.00	13.00	76	1,475 [696]	43,500 [12.7]	3.72	28,400 [8.3]	2.66	9.00
		RCFL-H*4824(RGTM-09?ZAJ?)	42,500 [12.5]	30,300 [8.9]	12,200 [3.6]	11.00	13.50	76	1,400 [661]	43,500 [12.7]	3.74	28,400 [8.3]	2.68	9.00
		RCFL-H*4824(RGTM-10?RBJ?)	42,500 [12.5]	30,250 [8.9]	12,250 [3.6]	11.00	13.50	76	1,425 [672]	43,000 [12.6]	3.78	28,200 [8.3]	2.70	9.00
		RCFL-H*4824(RHWB-08WRX60A)	43,000 [12.6]	31,000 [9.1]	12,000 [3.5]	11.50	13.50	76	1,450 [684]	41,500 [12.2]	3.64	26,600 [7.8]	2.56	9.00
		RCFL-H*4824(RHWB-10WRX60A)	43,000 [12.6]	30,400 [8.9]	12,600 [3.7]	11.50	14.00	76	1,350 [637]	41,000 [12.0]	3.70	26,200 [7.7]	2.60	9.00
		RCFL-H*4824(ROLA-070E04)	42,500 [12.5]	30,250 [8.9]	12,250 [3.6]	11.00	13.50	76	1,375 [649]	43,000 [12.6]	3.78	28,200 [8.3]	2.72	9.00
		RCFL-H*4824(ROLA-115E05)	42,500 [12.5]	30,250 [8.9]	12,250 [3.6]	11.00	13.50	76	1,400 [661]	43,000 [12.6]	3.78	28,200 [8.3]	2.70	9.00
		RBHP-24(RCHL-48A1)	40,500 [11.9]	28,000 [8.2]	12,500 [3.7]	11.50	14.00	76	1,400 [661]	44,500 [13.0]	3.60	28,800 [8.4]	2.66	9.00
		RHKL-HM4821(RCSL-H*4821)	42,500 [12.5]	30,300 [8.9]	12,200 [3.6]	11.50	14.00	76	1,400 [661]	43,000 [12.6]	3.50	28,000 [8.2]	2.74	9.50
		RHLL-HM4821(RCSL-H*4821)	42,500 [12.5]	30,250 [8.9]	12,250 [3.6]	11.50	14.00	76	1,400 [661]	43,000 [12.6]	3.50	28,000 [8.2]	2.74	9.50
	049CAZ/ DAZ/JAZ/ YAZ	RHSL-HM4821(RCSL-H*4821) ①	46,500 [13.6]	32,850 [9.6]	13,650 [4.0]	10.50	13.00	76	1,600 [755]	47,500 [13.9]	3.64	31,600 [9.3]	2.66	9.00
RCFL-H*4821		45,000 [13.2]	31,350 [9.2]	13,650 [4.0]	10.50	13.00	76	1,475 [696]	47,500 [13.9]	3.64	31,600 [9.3]	2.68	9.00	
RCFL-H*4821(RGLE-10?BRM?)		47,000 [13.8]	34,050 [10.0]	12,950 [3.8]	11.00	13.00	76	1,600 [755]	47,000 [13.8]	3.70	31,200 [9.1]	2.72	9.00	
RCFL-H*4821(RGPE-07?BRQ?)		47,000 [13.8]	34,100 [10.0]	12,900 [3.8]	10.50	13.00	76	1,600 [755]	47,500 [13.9]	3.66	31,400 [9.2]	2.70	9.00	
RCFL-H*4821(RGPE-10?BRM?)		47,000 [13.8]	34,250 [10.0]	12,750 [3.7]	11.00	13.00	76	1,625 [767]	47,500 [13.9]	3.66	31,400 [9.2]	2.68	9.00	
RCFL-H*4821(RGPT-10?BRM?)		47,000 [13.8]	34,400 [10.1]	12,600 [3.7]	10.50	13.00	76	1,650 [779]	47,500 [13.9]	3.64	31,600 [9.3]	2.66	9.00	
RCFL-H*4821(RGTM-07?RBG?)		46,500 [13.6]	32,750 [9.6]	13,750 [4.0]	11.00	13.00	76	1,475 [696]	47,000 [13.8]	3.70	31,200 [9.1]	2.72	9.00	
RCFL-H*4821(ROLA-115E05)		46,500 [13.6]	32,800 [9.6]	13,700 [4.0]	10.50	13.00	76	1,500 [708]	47,000 [13.8]	3.68	31,400 [9.2]	2.70	9.00	
RCFL-H*4824		45,000 [13.2]	31,350 [9.2]	13,650 [4.0]	10.50	13.00	76	1,475 [696]	47,500 [13.9]	3.64	31,600 [9.3]	2.68	9.00	
RCFL-H*4824(RGFG-12?RCM?)		46,000 [13.5]	32,200 [9.4]	13,800 [4.0]	10.50	13.00	76	1,450 [684]	47,000 [13.8]	3.74	31,200 [9.1]	2.74	9.00	

① Highest sales volume tested combination required by D.O.E. test procedures.

[] Designates Metric Conversions

Performance Data AHRI Standard Conditions—RPNL- (cont.)

Model Numbers		AHRI Cooling Performance							AHRI Heating Performance (70°F [21°C] Indoor)				
		80°F [26.5°C] DB/67°F [19.5°C] WB Indoor Air 95°F [35°C] DB Outdoor Air							Outdoor Air 47°F [8.5°C] DB/ 43°F [6°C] WB DOE High Temp.		Outdoor Air 17°F [-8.5°C] DB/ 15°F [-9.5°C] WB DOE Low Temp.		DOE Region IV HSPF
Outdoor Unit RPNL-	Indoor Coil and/or Air Handler	Total Capacity BTU/H [kW]	Net Sens. BTU/H [kW]	Net Latent BTU/H [kW]	EER	SEER	Snd. Rate dB	Indoor CFM [L/s]	BTU/H [kW]	COP	BTU/H [kW]	COP	
Rev. 5/17/2012	RCFL-H*4824(RGGE-12?RCM?)	47,000 [13.8]	33,900 [9.9]	13,100 [3.8]	10.50	13.00	76	1,575 [743]	47,500 [13.9]	3.68	31,400 [9.2]	2.70	9.00
	RCFL-H*4824(RGLE-10?BRM?)	47,000 [13.8]	34,050 [10.0]	12,950 [3.8]	11.00	13.00	76	1,600 [755]	47,000 [13.8]	3.70	31,200 [9.1]	2.72	9.00
	RCFL-H*4824(RGLE-12?ARM?)	47,000 [13.8]	34,050 [10.0]	12,950 [3.8]	11.00	13.00	76	1,600 [755]	47,000 [13.8]	3.70	31,200 [9.1]	2.72	9.00
	RCFL-H*4824(RGPE-07?BRQ?)	47,000 [13.8]	34,100 [10.0]	12,900 [3.8]	10.50	13.00	76	1,600 [755]	47,500 [13.9]	3.66	31,400 [9.2]	2.70	9.00
	RCFL-H*4824(RGPE-10?BRM?)	47,000 [13.8]	34,250 [10.0]	12,750 [3.7]	11.00	13.00	76	1,625 [767]	47,500 [13.9]	3.66	31,400 [9.2]	2.68	9.00
	RCFL-H*4824(RGPE-12?ARM?)	47,500 [13.9]	34,700 [10.2]	12,800 [3.8]	11.00	13.00	76	1,625 [767]	47,000 [13.8]	3.70	31,200 [9.1]	2.70	9.00
	RCFL-H*4824(RGPT-10?BRM?)	47,000 [13.8]	34,400 [10.1]	12,600 [3.7]	10.50	13.00	76	1,650 [779]	47,500 [13.9]	3.64	31,600 [9.3]	2.66	9.00
	RCFL-H*4824(RGPT-12?ARM?)	47,500 [13.9]	34,900 [10.2]	12,600 [3.7]	11.00	13.00	76	1,650 [779]	47,500 [13.9]	3.64	31,600 [9.3]	2.68	9.00
	RCFL-H*4824(RGTM-07?RBG?)	46,500 [13.6]	32,750 [9.6]	13,750 [4.0]	11.00	13.00	76	1,475 [696]	47,000 [13.8]	3.70	31,200 [9.1]	2.72	9.00
	RCFL-H*4824(RHWP-08WRX60A)	48,000 [14.1]	34,600 [10.1]	13,400 [3.9]	11.00	13.00	76	1,675 [790]	47,000 [13.8]	3.68	31,200 [9.1]	2.70	9.00
	RCFL-H*4824(RHWP-10WRX60A)	47,500 [13.9]	32,800 [9.6]	14,700 [4.3]	11.50	13.50	76	1,500 [708]	46,500 [13.6]	3.78	30,800 [9.0]	2.77	9.00
	RCFL-H*4824(ROLA-115E05)	46,500 [13.6]	32,800 [9.6]	13,700 [4.0]	10.50	13.00	76	1,500 [708]	47,500 [13.9]	3.68	31,400 [9.2]	2.70	9.00
	RBHP-24(RCHL-48A1)	44,500 [13.0]	31,100 [9.1]	13,400 [3.9]	11.00	13.00	76	1,575 [743]	48,500 [14.2]	3.68	31,800 [9.3]	2.60	9.00
	RHKL-HM4821(RCSL-H*4821)	47,500 [13.9]	34,350 [10.1]	13,150 [3.9]	11.00	13.50	76	1,575 [743]	47,000 [13.8]	3.74	31,000 [9.1]	2.74	9.50
	RHLL-HM4821(RCSL-H*4821)	47,500 [13.9]	34,500 [10.1]	13,000 [3.8]	11.00	13.50	76	1,600 [755]	47,000 [13.8]	3.74	31,000 [9.1]	2.74	9.50
	RHSL-HM4824(RCSL-H*4821)	46,500 [13.6]	32,850 [9.6]	13,650 [4.0]	10.50	13.00	76	1,600 [755]	47,500 [13.9]	3.64	31,600 [9.3]	2.66	9.00
	RHKL-HM4824(RCSL-H*4824)	48,000 [14.1]	35,100 [10.3]	12,900 [3.8]	11.50	14.00	76	1,625 [767]	46,500 [13.6]	3.80	30,800 [9.0]	2.78	9.50
	RHLL-HM4824(RCSL-H*4824)	48,000 [14.1]	35,100 [10.3]	12,900 [3.8]	11.50	14.00	76	1,625 [767]	46,500 [13.6]	3.80	30,800 [9.0]	2.78	9.50
060CAZ/ DAZ/JAZ/ YAZ	RHLL-HM6024(RCSL-H*6024) ①	60,500 [17.7]	43,100 [12.6]	17,400 [5.1]	11.00	13.00	76	1,800 [849]	58,500 [17.1]	3.66	38,000 [11.1]	2.72	8.50
	RHKL-HM6024(RCSL-H*6024)	60,500 [17.7]	43,100 [12.6]	17,400 [5.1]	11.00	13.00	76	1,800 [849]	58,500 [17.1]	3.66	38,000 [11.1]	2.72	8.50

① Highest sales volume tested combination required by D.O.E. test procedures.

[] Designates Metric Conversions



Electrical and Physical Data

Model Number RPNL-	ELECTRICAL							PHYSICAL					
	Phase Frequency (Hz) Voltage (Volts)	Compressor		Fan Motor Full Load Amperes (FLA)	Minimum Circuit Ampacity Amperes	Fuse or HACR Circuit Breaker		Outdoor Coil			Refrig. Per Circuit Oz. [g]	Weight	
		Rated Load Amperes (RLA)	Locked Rotor Amperes (LRA)			Minimum Amperes	Maximum Amperes	Face Area Sq. Ft. [m ²]	No. Rows	CFM [L/s]		Net Lbs. [kg]	Shipping Lbs. [kg]
Rev. 5/17/12													
018JAZ	1-60-208/230	9/9	48	0.6	12/12	15/15	20/20	8.18 [0.76]	1	1925 [908]	83 [2353]	155 [70.3]	165 [70.3]
024JAZ	1-60-208/230	12.8/12.8	58.3	0.6	17/17	20/20	25/25	8.18 [0.76]	1	1925 [908]	86 [2438]	155 [70.3]	165 [70.3]
031JAZ	1-60-208/230	14.1/14.1	73	0.6	20/20	25/25	30/30	13 [1.21]	1	1925 [908]	101 [2863]	164.5 [74.6]	174.5 [74.6]
037CAZ	3-60-208/230	10.4/10.4	73	1.3	15/15	20/20	20/20	20.1 [1.87]	1	3575 [1687]	149 [4224]	229 [103.9]	239 [103.9]
037DAZ	3-60-460	5.8	38	0.8	9	15	15	20.1 [1.87]	1	3575 [1687]	149 [4224]	229 [103.9]	239 [103.9]
037JAZ	1-60-208/230	16.7/16.7	79	1.3	23/23	30/30	35/35	20.1 [1.87]	1	3575 [1687]	149 [4224]	229 [103.9]	239 [103.9]
043CAZ	3-60-208/230	13.6/13.6	83.1	1.2	18/18	25/25	30/30	20.1 [1.87]	1	2650 [1251]	168 [4763]	227 [103]	237 [103]
043DAZ	3-60-460	6.1	41	0.6	10/10	15	15	20.1 [1.87]	1	2650 [1251]	168 [4763]	227 [103]	237 [103]
043JAZ	1-60-208/230	20.5/20.5	109	1.2	27/27	35/35	45/45	20.1 [1.87]	1	2650 [1251]	168 [4763]	227 [103]	237 [103]
049CAZ	3-60-208/230	13.7/13.7	83.1	1.2	19/19	25/25	30/30	20.1 [1.87]	1	2650 [1251]	157 [4451]	229 [103.9]	239 [103.9]
049DAZ	3-60-460	6.2	41	0.6	9	15	15	20.1 [1.87]	1	2650 [1251]	157 [4451]	229 [103.9]	239 [103.9]
049JAZ	1-60-208/230	21.8/21.8	117	1.2	29/29	35/35	50/50	20.1 [1.87]	1	2650 [1251]	157 [4451]	229 [103.9]	239 [103.9]
049YAZ	3-60-575	4.8	33	0.5	7	15	15	20.1 [1.87]	1	2650 [1251]	157 [4451]	229 [103.9]	239 [103.9]
060CAZ	3-60-208/230	15.6/15.6	110	1.2	21/21	25/25	35/35	23.01 [2.14]	1	3350 [1581]	242 [6861]	260 [117.9]	270 [117.9]
060DAZ	3-60-460	7.8	52	0.6	11	15	15	23.01 [2.14]	1	3350 [1581]	242 [6861]	260 [117.9]	270 [117.9]
060JAZ	1-60-208/230	26.3/26.3	134	1.2	35/35	45/45	60/60	23.01 [2.14]	1	3350 [1581]	242 [6861]	260 [117.9]	270 [117.9]
060YAZ	3-60-575	5.8	38.9	0.5	8	15	15	23.01 [2.14]	1	3350 [1581]	242 [6861]	260 [117.9]	270 [117.9]

NOTE: Factory Refrigerant Charge includes refrigerant for 15 feet of standard line set.

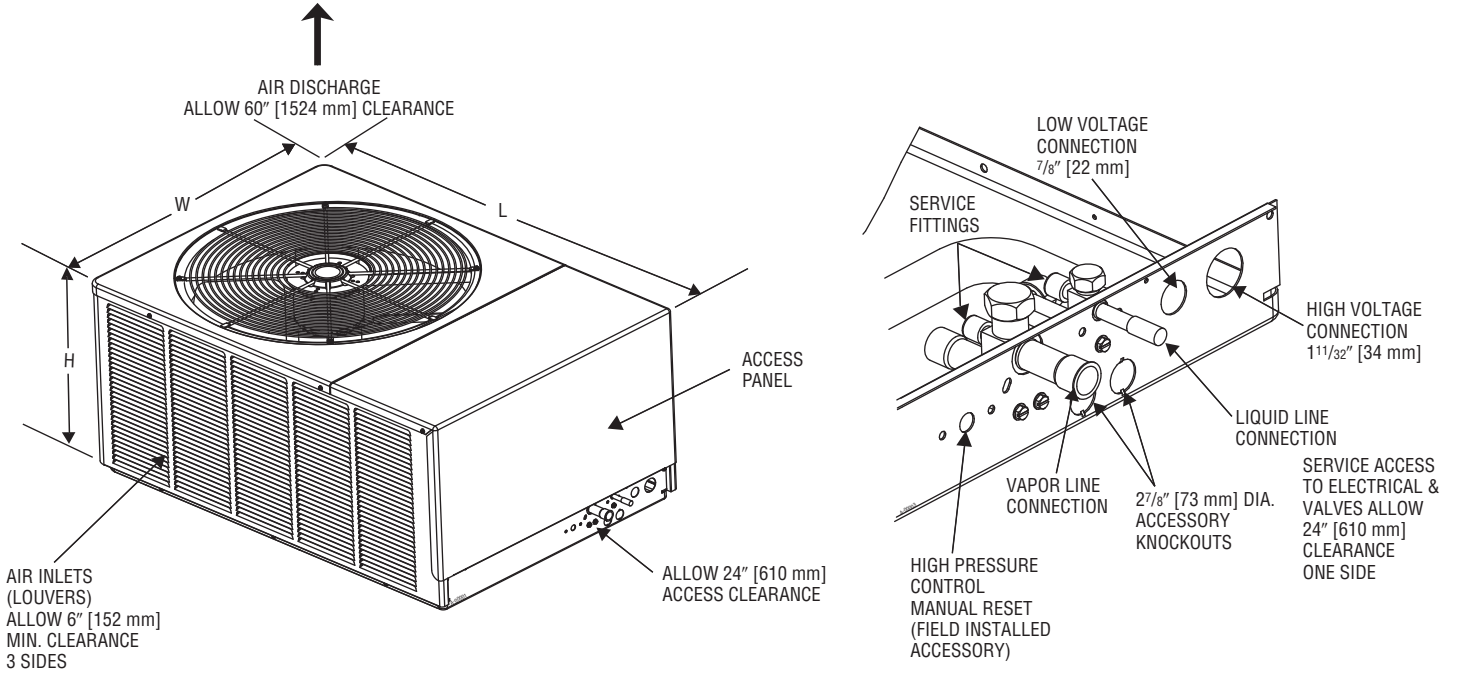
[] Designates Metric Conversions



Unit Dimensions

Model Number RPNL-	Height "H" (Inches) [mm]	Length "L" (Inches) [mm]	Width "W" (Inches) [mm]
018/024/031	19 [482]	40 ¹ / ₂ [1028]	27 ⁵ / ₈ [701]
043/049	29 [736]	44 ³ / ₈ [1127]	31 ¹ / ₂ [800]
037/060	33 [838]	44 ³ / ₈ [1127]	31 ¹ / ₂ [800]

[] Designates Metric Conversions





Air

Heat Pump Refrigerant Line Size Information

System Capacity	Line Size Connection Size (Inch I.D.) [mm]	Line Size (Inch O.D.) [mm]	Liquid Line Sizing (R-410A) Outdoor Unit Above or Below Indoor Coil (Heat Pumps Only)					
			Total Equivalent Length—Feet [m]					
			25 [7.62]	50 [15.24]	75 [22.86]	100 [30.48]	125 [38.10]	150 [45.72]
			Maximum Vertical Separation—Feet [m]					
1½ Ton	3/8" [9.53]	1/4 [6.35]	25 [7.62]	40 [12.19]	25 [7.62]	9 [2.74]	N/A	N/A
		5/16 [7.94]	25 [7.62]	50 [15.24]	62 [18.90]	58 [17.68]	53 [16.15]	49 [14.94]
		3/8* [9.53]	25 [7.62]	50 [15.24]	75 [22.86]	72 [21.95]	70 [21.34]	68 [20.73]
2 Ton	3/8" [9.53]	1/4 [6.35]	23 [7.01]	N/A	N/A	N/A	N/A	N/A
		5/16 [7.94]	25 [7.62]	36 [10.97]	29 [8.84]	23 [7.01]	16 [4.88]	9 [2.74]
		3/8* [9.53]	25 [7.62]	50 [15.24]	72 [21.95]	70 [21.34]	68 [20.73]	65 [19.81]
2½ Ton	3/8" [9.53]	1/4 [6.35]	25 [7.62]	N/A	N/A	N/A	N/A	N/A
		5/16 [7.94]	25 [7.62]	49 [14.94]	38 [11.58]	27 [8.23]	17 [5.18]	6 [1.83]
		3/8* [9.53]	25 [7.62]	50 [15.24]	68 [20.73]	65 [19.81]	62 [18.90]	58 [17.68]
3 Ton	3/8" [9.53]	5/16 [7.94]	25 [7.62]	50 [15.24]	37 [11.28]	22 [6.71]	7 [2.13]	N/A
		3/8* [9.53]	25 [7.62]	50 [15.24]	68 [20.73]	63 [19.20]	58 [17.68]	53 [16.15]
3½ Ton	3/8" [9.53]	5/16 [7.94]	25 [7.62]	23 [7.01]	4 [1.22]	N/A	N/A	N/A
		3/8* [9.53]	25 [7.62]	50 [15.24]	43 [13.11]	36 [10.97]	30 [9.14]	24 [7.32]
4 Ton	3/8" [9.53]	3/8* [9.53]	25 [7.62]	46 [14.02]	38 [11.58]	30 [9.14]	22 [6.71]	15 [4.57]
		1/2 [12.7]	25 [7.62]	50 [15.24]	56 [17.07]	55 [16.76]	53 [16.15]	52 [15.85]
5 Ton	3/8" [9.53]	3/8* [9.53]	25 [7.62]	50 [15.24]	56 [17.07]	44 [13.41]	32 [9.75]	20 [6.10]
		1/2 [12.7]	25 [7.62]	50 [15.24]	75 [22.86]	81 [24.69]	79 [24.08]	76 [23.16]

NOTES: *Standard line size

N/A = Application not recommended.

Suction Line Length/Size versus Capacity Multiplier (R-410A)								
Unit Size		1½ Ton	2 Ton	2½ Ton	3 Ton	3½ Ton	4 Ton	5 Ton
Suction Line Connection Size		3/4" [19.05] I.D.				7/8" [22.23] I.D.		
Suction Line Run—Feet [m]		5/8" [15.88 mm] O.D. Opt. 3/4" [19.05 mm] O.D. Std.*		5/8" [15.88 mm] O.D. Opt. 3/4" [19.05 mm] O.D. Std.* 7/8" [22.23 mm] O.D. Opt.		3/4" [19.05 mm] O.D. Opt. 7/8" [22.23 mm] O.D. Std.*		7/8" [22.23 mm] O.D. Opt. 1 1/8" [28.58 mm] O.D. Std.*
25' [7.62]	Optional	1.00	1.00	1.00	1.00	1.00	1.00	1.00
	Standard	1.00	1.00	1.00	1.00	1.00	1.00	1.00
	Optional	—	—	1.00	—	—	—	—
50' [15.24]	Optional	0.98	0.98	0.96	0.98	0.99	0.99	0.99
	Standard	0.99	0.99	0.98	0.99	0.99	0.99	0.99
	Optional	—	—	0.99	—	—	—	—
100' [30.48]	Optional	0.95	0.95	0.94	0.96	0.96	0.96	0.97
	Standard	0.96	0.96	0.96	0.97	0.98	0.98	0.98
	Optional	—	—	0.97	—	—	—	—
150' [45.72]	Optional	0.92	0.92	0.91	0.94	0.94	0.95	0.94
	Standard	0.93	0.94	0.93	0.95	0.96	0.96	0.97
	Optional	—	—	0.95	—	—	—	—

NOTES:

*Standard line size

N/A = Using suction line larger than shown in chart will result in poor oil return and is not recommended.

[] Designates Metric Conversions



GENERAL TERMS OF LIMITED WARRANTY*

Rheem will furnish a replacement for any part of this product which fails in normal use and service within the applicable period stated, in accordance with the terms of the limited warranty.

***For complete details of the Limited and Conditional Warranties, including applicable terms and conditions, contact your local contractor or the Manufacturer for a copy of the product warranty certificate.**

Conditional Parts
(Registration Required)Ten (10) Years



The new degree of comfort.™

In keeping with its policy of continuous progress and product improvement, Rheem reserves the right to make changes without notice.

Rheem Heating, Cooling & Water Heating • P.O. Box 17010
Fort Smith, Arkansas 72917 • www.rheem.com

Rheem Canada Ltd./Ltée • 125 Edgeware Road, Unit 1
Brampton, Ontario • L6Y 0P5



INTEGRATED HOME COMFORT

PRINTED IN U.S.A 09/12 QG FORM NO. P11-801 REV. 1