



SUBMITTAL COVER SHEET

PROJECT NAME _____

LOCATION _____

ARCHITECT _____

ENGINEER _____

CONTRACTOR _____

SUBMITTED BY _____ DATE _____

UNIT SUMMARY

Quantity						
Unit Designation						
Model No.						
Total Cooling						
Sensible Cooling						
Air Ent. Evaporator						
Air Lvg. Evaporator						
Heating Input						
Heating Output						
CFM/ESP						
EER/SEER						
Electrical						
Minimum Ampacity						
Min.-Max. Breaker						
Net Unit Weight						
Accessory						
Catalog Form Number						

ACCESSORIES:

NOTES:

R-410A
f o a k u r i n g

SUBMITTAL SHEET FOR REMOTE OUTDOOR HEAT PUMPS: (-)PNL- JEZ, 13 SEER MODELS, 2-5 TONS [7.03-17.6 kW]

JOB NAME _____ LOCATION _____
 CONTRACTOR _____ ORDER NO. _____
 ENGINEER _____ SUBMITTED FOR APPROVAL RECORD
 DATE _____
 MODEL NO. _____
 AIR HANDLER MODEL NO. _____
 INDOOR COIL MODEL NO. _____

Equipped with the Award Winning Comfort Control System™

- Increased Reliability
- Fault Recall
- On-Board Diagnostics
- Active Protection™



UNIT DATA

COOLING PERFORMANCE

EFFICIENCY SEER
 TOTAL CAPACITY* MBH [kW]
 SENSIBLE CAPACITY* MBH [kW]
 OUTDOOR DESIGN TEMP. °F [°C] DB
 TEMP. OF AIR ENTERING
 EVAPORATOR COIL °F [°C] DB
 °F [°C] WB
 POWER INPUT REQUIREMENT kW
 (*uses blower motor heat)

HEATING PERFORMANCE

EFFICIENCY HSPF
 TOTAL CAPACITY* MBH [kW]
 OUTDOOR DESIGN TEMP. °F [°C] DB
 TEMP. OF AIR ENTERING
 EVAPORATOR COIL °F [°C] DB
 POWER INPUT REQUIREMENT kW
 (*uses blower motor heat)

SUPPLY AIR BLOWER PERFORMANCE

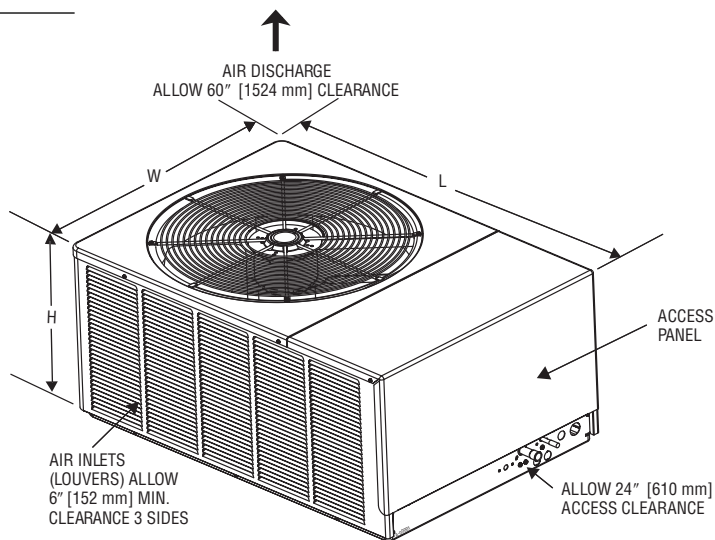
TOTAL AIR SUPPLY CFM [L/s]
 TOTAL RESISTANCE EXTERNAL
 TO UNIT IWG
 BLOWER SPEED RPM
 POWER OUTPUT REQUIREMENT .. BHP
 MOTOR RATING HP [W]
 POWER INPUT REQUIREMENT kW

ELECTRICAL DATA

POWER SUPPLY Hz
 TOTAL UNIT AMPACITY AMPS
 MINIMUM WIRE SIZE AWG
 MAXIMUM OVERCURRENT DEVICE
 FUSES/HACR BREAKER AMPS

CLEARANCES

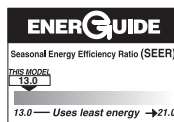
SERVICE ACCESS 24" [609.6 mm]
 AIR INLETS 6" [152.4 mm]
 ABOVE UNIT 60" [1524 mm]



DIMENSIONS

Model Number (-)PNL-	Height "H" (Inches) [mm]	Length "L" (Inches) [mm]	Width "W" (Inches) [mm]
024JEZ/031JEZ	19 [482.6]	40 1/2 [1031.2]	27 5/8 [701.7]
043JEZ/049JEZ	29 [736.6]	44 3/8 [1127.1]	31 1/2 [800.1]
036JEZ/037JEZ/060JEZ	33 [838.2]	44 3/8 [1127.1]	31 1/2 [800.1]

[] Designates Metric Conversions



(13 SEER MODELS IN CERTAIN MATCHED SYSTEMS)

"Proper sizing and installation of equipment is critical to achieve optimal performance. Split system air conditioners and heat pumps must be matched with appropriate coil components to meet ENERGY STAR criteria. Ask your Contractor for details or visit www.energystar.gov."

FEATURES FOR (-)PNL- JEZ REMOTE HEAT PUMPS

- The *Comfort Control System™* provides on-board diagnostics and fault history for heat pumps with single-phase compressors by detecting system and electrical problems without adding sensors. It can also communicate “fault codes” to enabled “L terminal” thermostats. The integrated diagnostics with *Active Protection* prevents compressor operation when potentially harmful conditions are detected.
- Features an exclusive 7-Segment LED Display. The information-display quickly and accurately shows technicians the source of malfunctions.
- Scroll Compressor
- Copper Tube/Aluminum Fin Coils
- Powder painted louvered steel cabinet protects the coil from damage
- Internal Check Valve
- Enhanced Compressor Protection
- Manual Reset High Pressure Control
- Drawn Painted Base Pan
- Hard Start Components
- Non-Cycling Reversing Valve
- Hot Gas Muffler
- Bi-Directional Filter Drier (shipped – not installed)
- Service Valves
- TEV Refrigerant Metering

- Demand Defrost Control
- All refrigerant connections are on the exterior of the unit, located close to the ground for neat appearing installations
- Coil design permits compressor operation with the access panel removed
- Control box is fully accessible in the upper part of the cabinet
- Power and control wiring are kept separate
- Certified and rated under AHRI Standard 240
- U.L. listed
- Factory run tested prior to shipment
- Factory limited warranty as follows:
 - Compressor
JEZ ModelsTen (10) Years
 - Any Other PartTen (10) Years

(-)PNL- JEZ Conditional Replacement Warranty:
 A replacement model will be provided (if an exact replacement is not available, an equivalent product will be provided) to the original purchaser if the compressor fails within 5 years. See product warranty card for additional information.

FIELD INSTALLED ACCESSORIES

Low Ambient Control
 Thermostats
 Blower Time Delay Control

Fossil Fuel Kit
 Compressor Crankcase Heater

SPECIAL NOTES ON EQUIPMENT:

Before proceeding with installation, refer to installation instructions packaged with each model, as well as complying with all Federal, State, Provincial, and Local codes, regulations, and practices.

Rheem Sales Company, Inc.
 P.O. Box 17010, Fort Smith, AR 72917

“In keeping with its policy of continuous progress and product improvement, Rheem reserves the right to make changes without notice.”