



SUBMITTAL COVER SHEET

PROJECT NAME _____

LOCATION _____

ARCHITECT _____

ENGINEER _____

CONTRACTOR _____

SUBMITTED BY _____ DATE _____

UNIT SUMMARY

Quantity						
Unit Designation						
Model No.						
Total Cooling						
Sensible Cooling						
Air Ent. Evaporator						
Air Lvg. Evaporator						
Heating Input						
Heating Output						
CFM/ESP						
EER/SEER						
Electrical						
Minimum Ampacity						
Min.-Max. Breaker						
Net Unit Weight						
Accessory						
Catalog Form Number						

ACCESSORIES:

NOTES:

SUBMITTAL SHEET FOR 1 1/2-5 NOMINAL TON [5.28-17.58 kW], 15 SEER REMOTE HEAT PUMP UNITS: (-)PQL- JAZ 15 SEER SERIES

R-410A



JOB NAME _____ LOCATION _____
 CONTRACTOR _____ ORDER NO. _____
 ENGINEER _____ SUBMITTED FOR APPROVAL RECORD
 DATE _____ AIR HANDLER MODEL NO. _____
 MODEL NO. _____ INDOOR COIL MODEL NO. _____

UNIT DATA

COOLING PERFORMANCE

EFFICIENCY SEER
 TOTAL CAPACITY* MBH [kW]
 SENSIBLE CAPACITY* MBH [kW]
 OUTDOOR DESIGN TEMP. °F [°C] DB
 TEMP. OF AIR ENTERING
 EVAPORATOR COIL °F [°C] DB
 °F [°C] WB
 POWER INPUT REQUIREMENT kW
 (*uses blower motor heat)

HEATING PERFORMANCE

EFFICIENCY HSPF
 TOTAL CAPACITY* MBH [kW]
 OUTDOOR DESIGN TEMP. °F [°C] DB
 TEMP. OF AIR ENTERING
 EVAPORATOR COIL °F [°C] DB
 POWER INPUT REQUIREMENT kW
 (*uses blower motor heat)

SUPPLY AIR BLOWER PERFORMANCE

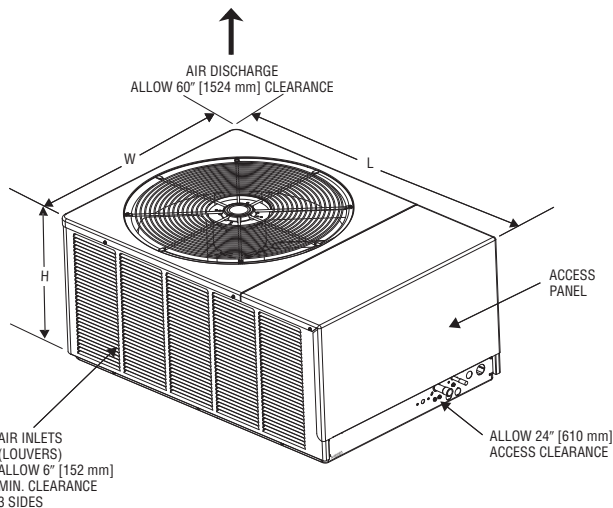
TOTAL AIR SUPPLY CFM [L/s]
 TOTAL RESISTANCE EXTERNAL
 TO UNIT IWG
 BLOWER SPEED RPM
 POWER OUTPUT REQUIREMENT .. BHP
 MOTOR RATING HP [W]
 POWER INPUT REQUIREMENT kW

ELECTRICAL DATA

POWER SUPPLY Hz
 TOTAL UNIT AMPACITY AMPS
 MINIMUM WIRE SIZE AWG
 MAXIMUM OVERCURRENT DEVICE
 FUSES/HACR BREAKER AMPS

CLEARANCES

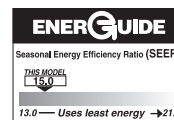
SERVICE ACCESS 24" [609.6 mm]
 AIR INLETS 6" [152.4 mm]
 ABOVE UNIT 60" [1524 mm]



DIMENSIONS

Model Number (-)PQL-	Height "H" (Inches) [mm]	Length "L" (Inches) [mm]	Width "W" (Inches) [mm]
018	19 [482]	40 1/2 [1028]	27 5/8 [701]
024	19 [482]	44 3/8 [1127]	31 1/2 [800]
030/036/037	25 [635]	44 3/8 [1127]	31 1/2 [800]
048/056/060	33 [838]	44 3/8 [1127]	31 1/2 [800]

[] Designates Metric Conversions



"Proper sizing and installation of equipment is critical to achieve optimal performance. Split system air conditioners and heat pumps must be matched with appropriate coil components to meet ENERGY STAR criteria. Ask your Contractor for details or visit www.energystar.gov."

**FEATURES FOR (-)PQL -JAZ REMOTE HEAT PUMPS
1½ TO 5 NOMINAL TONS [5.28 TO 17.58 kW]**

- Scroll Compressor
- Copper Tube/Aluminum Fin Coils
- Powder painted louvered steel cabinet protects the coil from damage
- Internal Check Valve
- Enhanced Compressor Protection
- Manual Reset High Pressure Control
- Drawn Painted Base Pan
- Non-Cycling Reversing Valve
- Hot Gas Muffler
- Service Valves
- TEV Refrigerant Metering
- Demand Defrost Control
- All refrigerant connections are on the exterior of the unit, located close to the ground for neat appearing installations
- Coil design permits compressor operation with the access panel removed
- Control box is fully accessible in the upper part of the cabinet, just under the access panel
- Power and control wiring are kept separate
- Certified and rated under AHRI Standard 240
- U.L. listed
- Factory run tested prior to shipment
- Factory limited warranty as follows:
CompressorTen (10) Years
Conditional Parts*
(Registration Required).....Ten (10) Years

*See Warranty Card for complete details.

FIELD INSTALLED ACCESSORIES

- | | | | |
|--------------------------------|--------------------------|---|--------------------------|
| Low Ambient Control | <input type="checkbox"/> | Compressor Time Delay Control | <input type="checkbox"/> |
| Outdoor Thermostats | <input type="checkbox"/> | Blower Time Delay Control | <input type="checkbox"/> |
| Heat Pump Monitor | <input type="checkbox"/> | Fossil Fuel Kit | <input type="checkbox"/> |
| Thermostats and Subbases | <input type="checkbox"/> | Enhanced Compressor Protection Kit (R-410A).... | <input type="checkbox"/> |

SPECIAL NOTES ON EQUIPMENT:

Before proceeding with installation, refer to installation instructions packaged with each model, as well as complying with all Federal, State, Provincial, and Local codes, regulations, and practices.

Rheem Sales Company, Inc.
P.O. Box 17010, Fort Smith, AR 72917

"In keeping with its policy of continuous progress and product improvement, Rheem reserves the right to make changes without notice."