



# SUBMITTAL COVER SHEET

PROJECT NAME \_\_\_\_\_

LOCATION \_\_\_\_\_

ARCHITECT \_\_\_\_\_

ENGINEER \_\_\_\_\_

CONTRACTOR \_\_\_\_\_

SUBMITTED BY \_\_\_\_\_ DATE \_\_\_\_\_

## UNIT SUMMARY

Quantity						
Unit Designation						
Model No.						
Total Cooling						
Sensible Cooling						
Air Ent. Evaporator						
Air Lvg. Evaporator						
Heating Input						
Heating Output						
CFM/ESP						
EER/SEER						
Electrical						
Minimum Ampacity						
Min.-Max. Breaker						
Net Unit Weight						
Accessory						
Catalog Form Number						

**ACCESSORIES:**

**NOTES:**

**SUBMITTAL SHEET FOR PACKAGE HEAT PUMPS  
FEATURING EARTH-FRIENDLY R-410A REFRIGERANT:  
RQNL- HIGH EFFICIENCY 13 SEER SERIES  
RQPL- HIGH EFFICIENCY 14 SEER SERIES  
Nominal Sizes 2 Thru 4 Tons [7.03 thru 14.07 kW]**

**R-410A**  
featuring

JOB NAME \_\_\_\_\_ DATE \_\_\_\_\_

CONTRACTOR \_\_\_\_\_ UNIT DESIGNATION \_\_\_\_\_

ENGINEER \_\_\_\_\_ MODEL NO. \_\_\_\_\_

SUBMITTED FOR  APPROVAL  RECORD LOCATION \_\_\_\_\_

SUBMITTED BY \_\_\_\_\_ ORDER NO. \_\_\_\_\_

**UNIT DATA**

**COOLING PERFORMANCE**

TOTAL CAPACITY\* ..... MBH  
SENSIBLE CAPACITY\* ..... MBH  
OUTDOOR DESIGN TEMP. .... °F [°C] DB/WB  
TOTAL SUPPLY AIR ..... CFM [L/s]  
TEMP. OF AIR ENTERING  
EVAPORATOR COIL..... °F [°C] DB/WB  
POWER INPUT REQUIREMENT ..... KW  
SEER RATING.....  
(\*uses blower motor heat)

**HEATING PERFORMANCE**

HEAT PUMP HEATING PERFORMANCE  
CAPACITY @ 47°F ..... MBH  
CAPACITY @ 17°F ..... MBH  
COEFFICIENT OF PERFORMANCE  
@ 47°F..... C.O.P.  
@ 17°F..... C.O.P.  
ELECTRIC HEAT CAPACITY ..... KW  
H.S.P.F. ....

**SUPPLY AIR BLOWER PERFORMANCE**

TOTAL SUPPLY AIR ..... CFM [L/s]  
TOTAL RESISTANCE EXTERNAL  
TO UNIT..... IWG  
BLOWER SPEED ..... RPM  
POWER OUTPUT REQUIREMENT .. BHP  
MOTOR RATING ..... HP [W]  
POWER INPUT REQUIREMENT ..... KW

**ELECTRICAL DATA**

POWER SUPPLY..... Hz  
TOTAL UNIT AMPACITY..... AMPS  
MINIMUM WIRE SIZE ..... AWG  
MAXIMUM OVERCURRENT DEVICE  
FUSES HACR BREAKER ..... AMPS

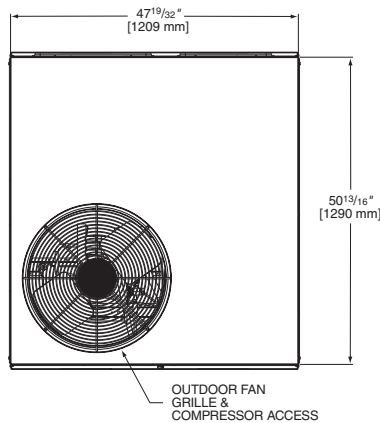
**TOTAL UNIT WEIGHT**

TOTAL OPERATING WEIGHT .... LBS [kg]  
(including field-installed accessories)

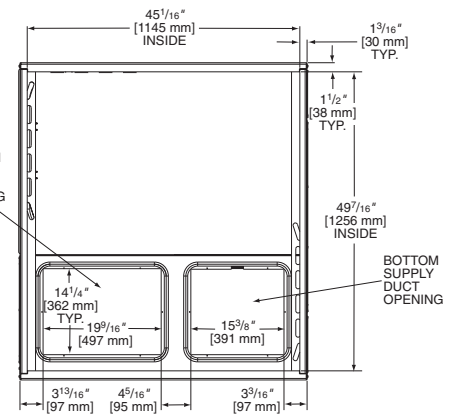
**CLEARANCES**

SIDE "A" (WITHOUT ECONOMIZER) 2" [50.8 mm]  
SIDE "B" (WITHOUT ECONOMIZER) 12" [304.8 mm]  
SIDE "C" (WITHOUT ECONOMIZER) 48" [1,219.2 mm]  
SIDE "D" (WITHOUT ECONOMIZER) 24" [610 mm]  
ABOVE UNIT (WITHOUT ECONOMIZER) 60" [1,524 mm]

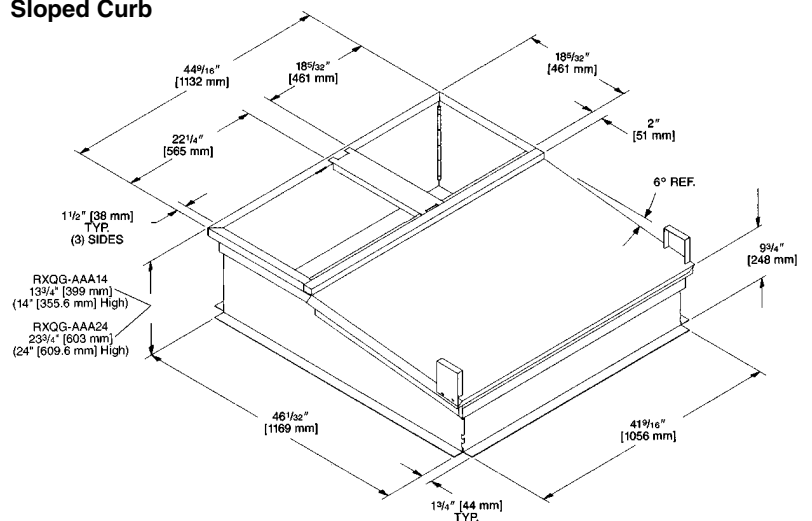
**TOP VIEW**



**BOTTOM VIEW**



**Sloped Curb**



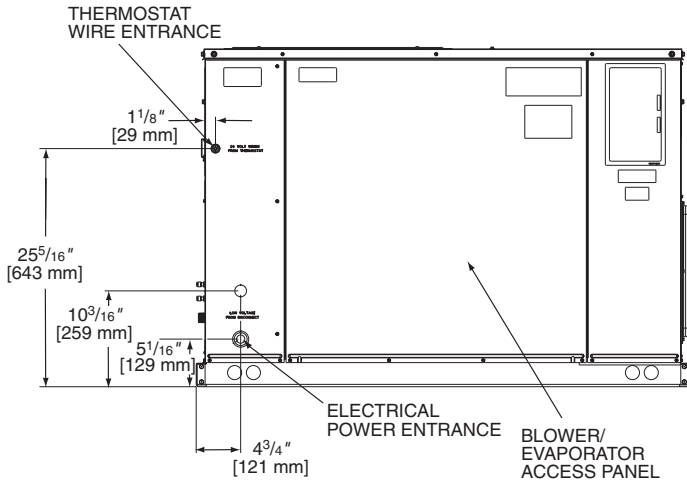
[ ] Designates Metric Conversions

## FIELD INSTALLED ACCESSORIES

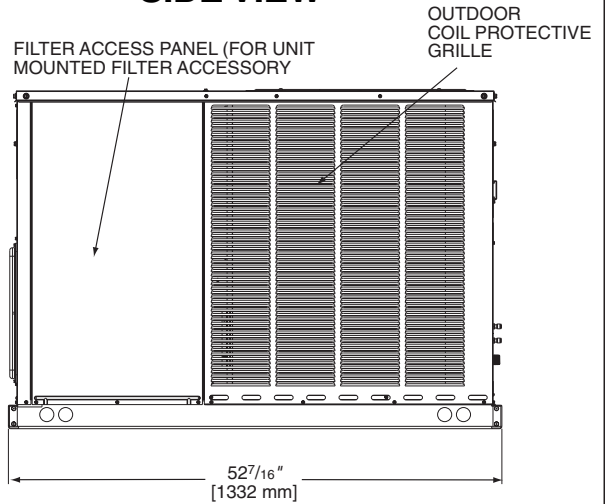
- Roof Curb (14" [355.6 mm & 24" [609.6 mm] Sloped Platform) .....
- Filter Accessory .....
- Lift Kit (For Rigging) .....
- Time Delay Relay .....
- Start Assist .....
- Low Ambient Control .....
- Low Pressure Control .....

- Economizer (Enthalpy Controlled) Downflow Only .....
- Manual Fresh Air Damper .....
- L.P. (Propane) Kit .....
- Transition (Rectangular-Round) Downflow/Sideflow ..
- Concentric Diffuser and Grille .....
- High Pressure Control .....
- Thermostat .....

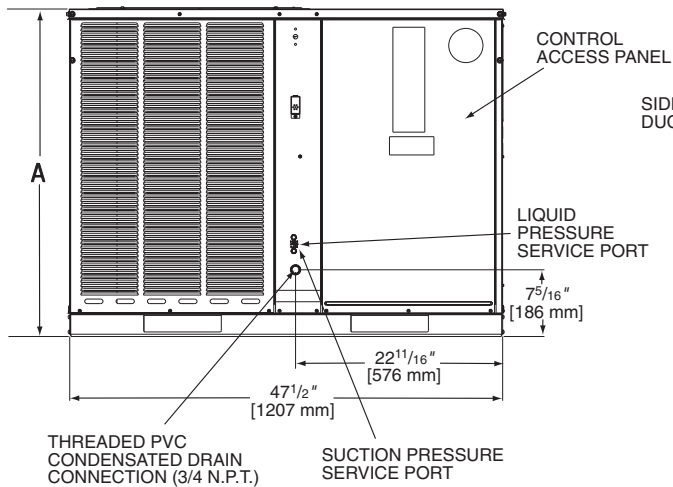
### SIDE VIEW



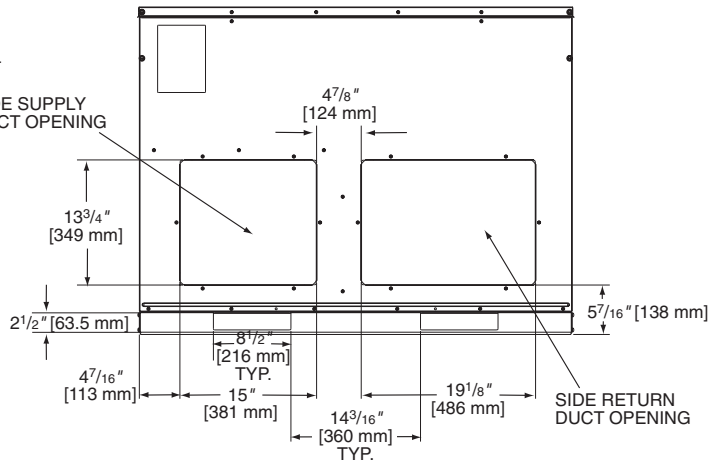
### SIDE VIEW



### FRONT VIEW



### REAR VIEW



SHOWN WITH DUCT COVERS REMOVED.

Model Number	Height "A"
B024, B025	35 15/16
B030, B036, B042, B048	41

**Before proceeding with installation, refer to installation instructions packaged with each model, as well as complying with all Federal, State, Provincial, and Local codes, regulations, and practices.**

Rheem Sales Company, Inc.  
P.O. Box 17010, Fort Smith, AR 72917

*"In keeping with its policy of continuous progress and product improvement, Rheem reserves the right to make changes without notice."*